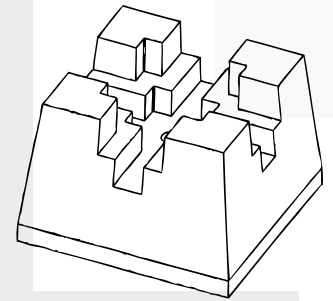




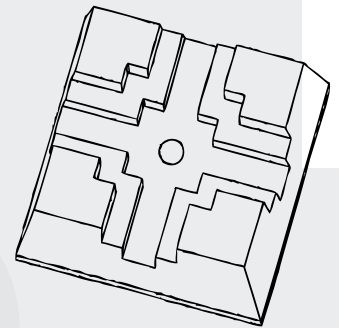
# Universal Pier Block™

**Concrete Results** proudly introduces the **Universal Pier Block™**. This innovative new product is a perfect fit for retail distribution and building material suppliers. **Universal Pier Block™** actually enhances currently available technologies to accommodate virtually every type of dimensional lumber in the construction of decks. **Universal Pier Block™** benefits both contractors and do-it-yourself consumers, is easy to use, and allows maximum design flexibility by allowing dimensional lumber to be used in a variety of combinations.

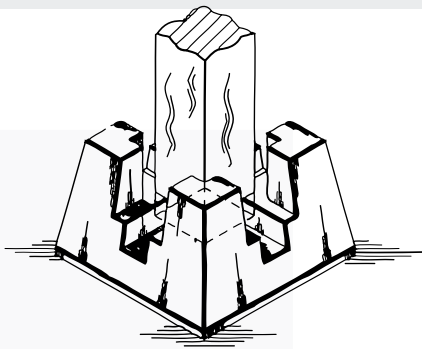
**Universal Pier Block™** secures a post or the end of wooden or metal 4x4's, 6x6's or 2x4's with adjustable brackets. It also features a drain hole to ensure that moisture is moved away from the structure. With this easy-to-use block, supporting different sizes of beams in an exact and stable position is simple. By eliminating the need for pier blocks of different sizes, you eliminate time consuming and costly errors. **Universal Pier Block™** fits:



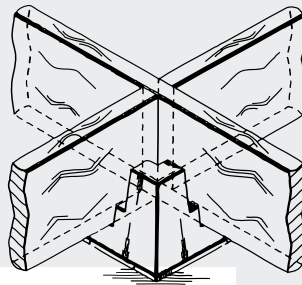
**Universal Pier Block™**



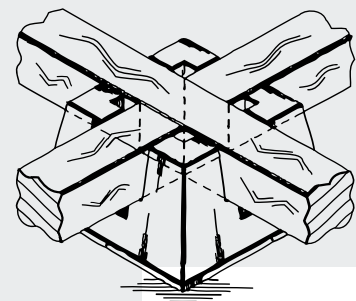
4x4's or 6x6's



2x4's



4x4's



**CONCRETE**  
RESULTS  
FOR THE  
**CONCRETE**  
INDUSTRY™

[www.universalpierblock.com](http://www.universalpierblock.com)  
[www.concrete-results.com](http://www.concrete-results.com)

Available at:

--	--