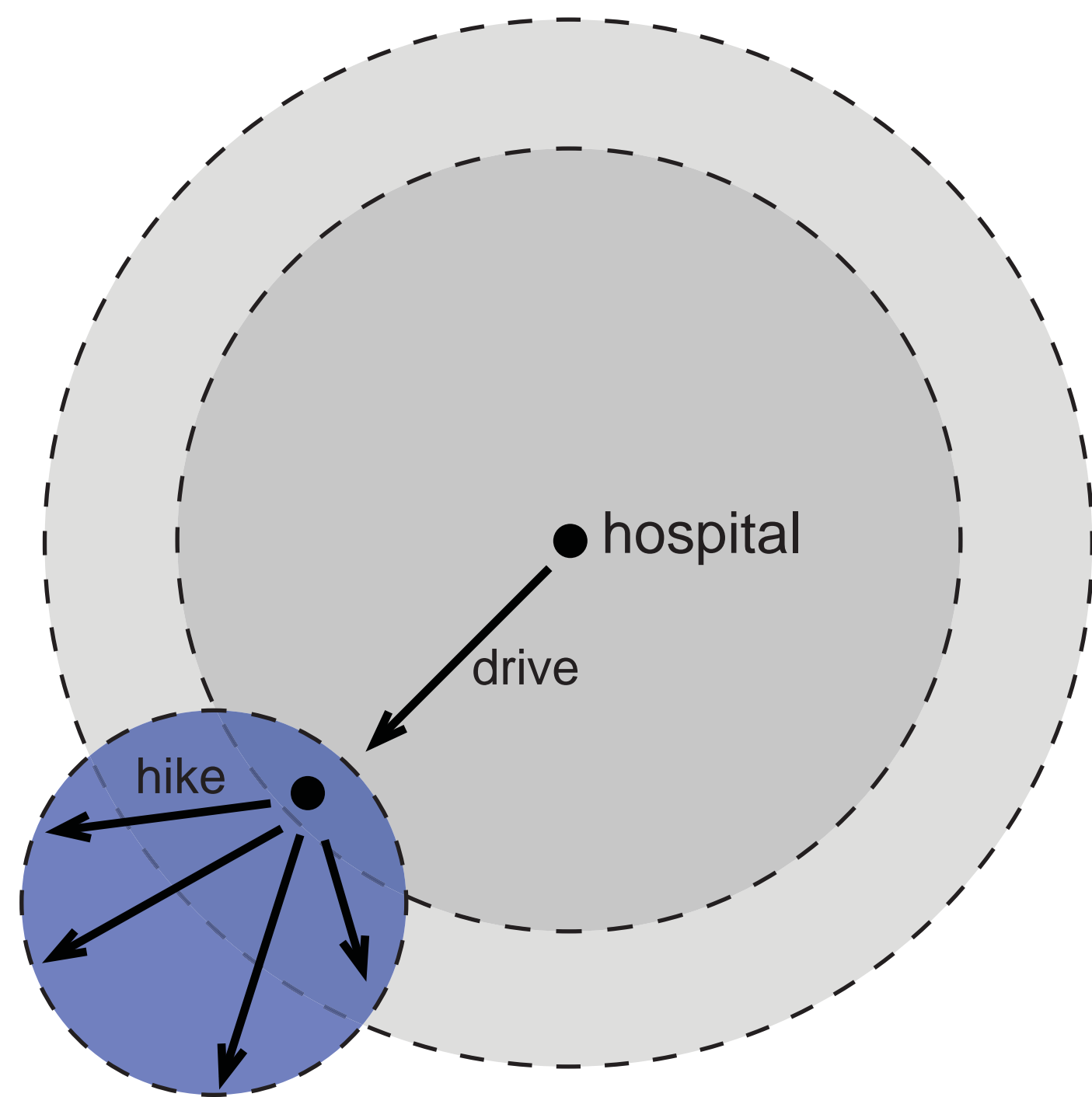


# detachApack

## • dispersal



- 8 backpacks per day for 4 days
- each backpack weighs 30 pounds total
- 1 backpack per medical personnel
- supplies include medical and pharmaceutical
- a total of 32 backpacks will be needed for 4 day trip
- fold out chair with each backpack

## • stock



## medical

cleanness items  
instruments

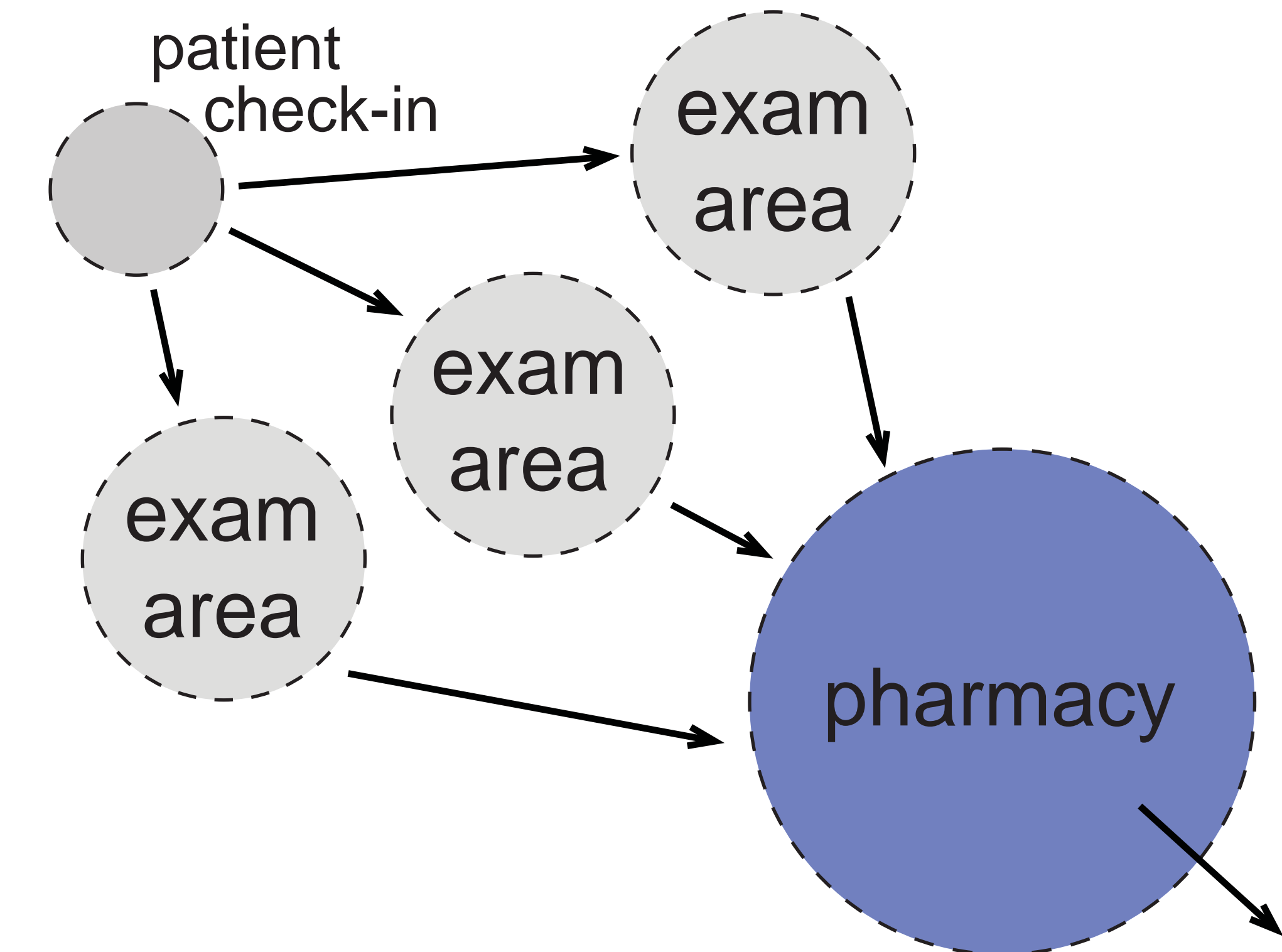
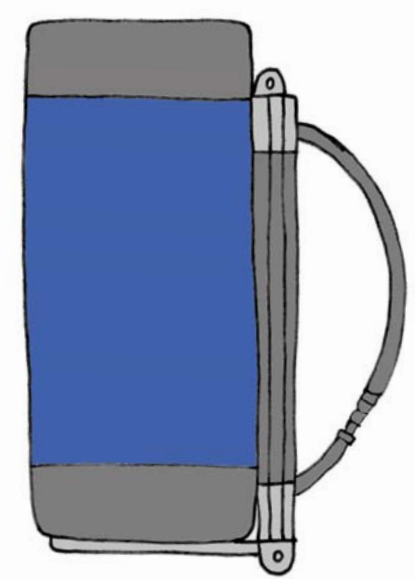
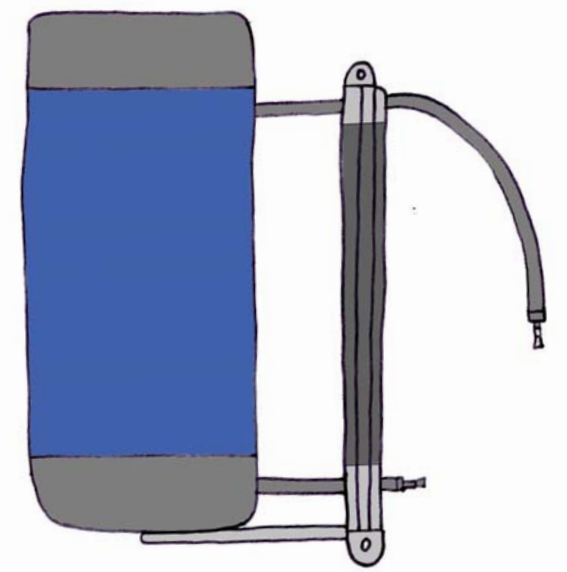
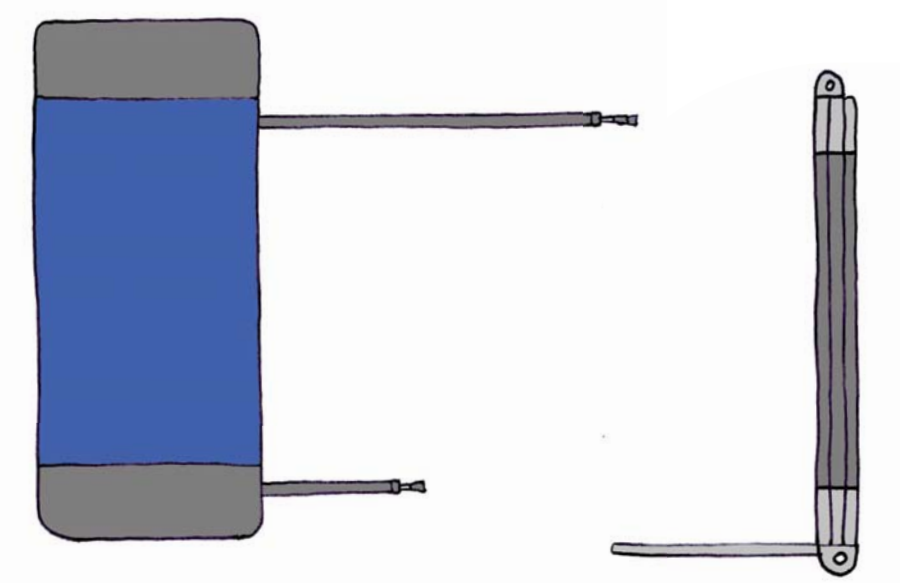
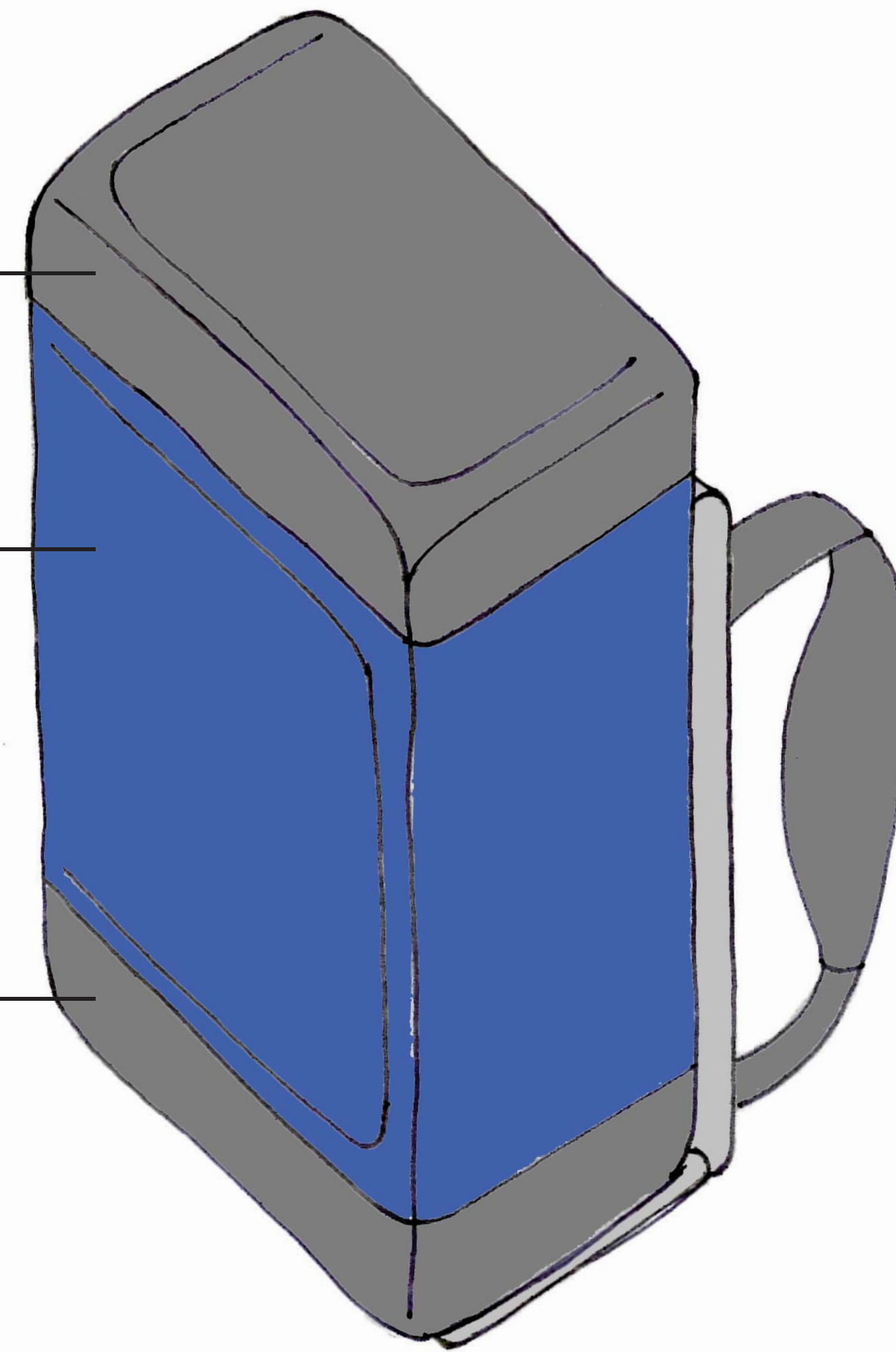
## pharmaceutical

adult antibiotics/analgesics  
cold/allergy  
creams/antifungal  
eye/ear  
GI/worms  
pediatric antibiotics/analgesics

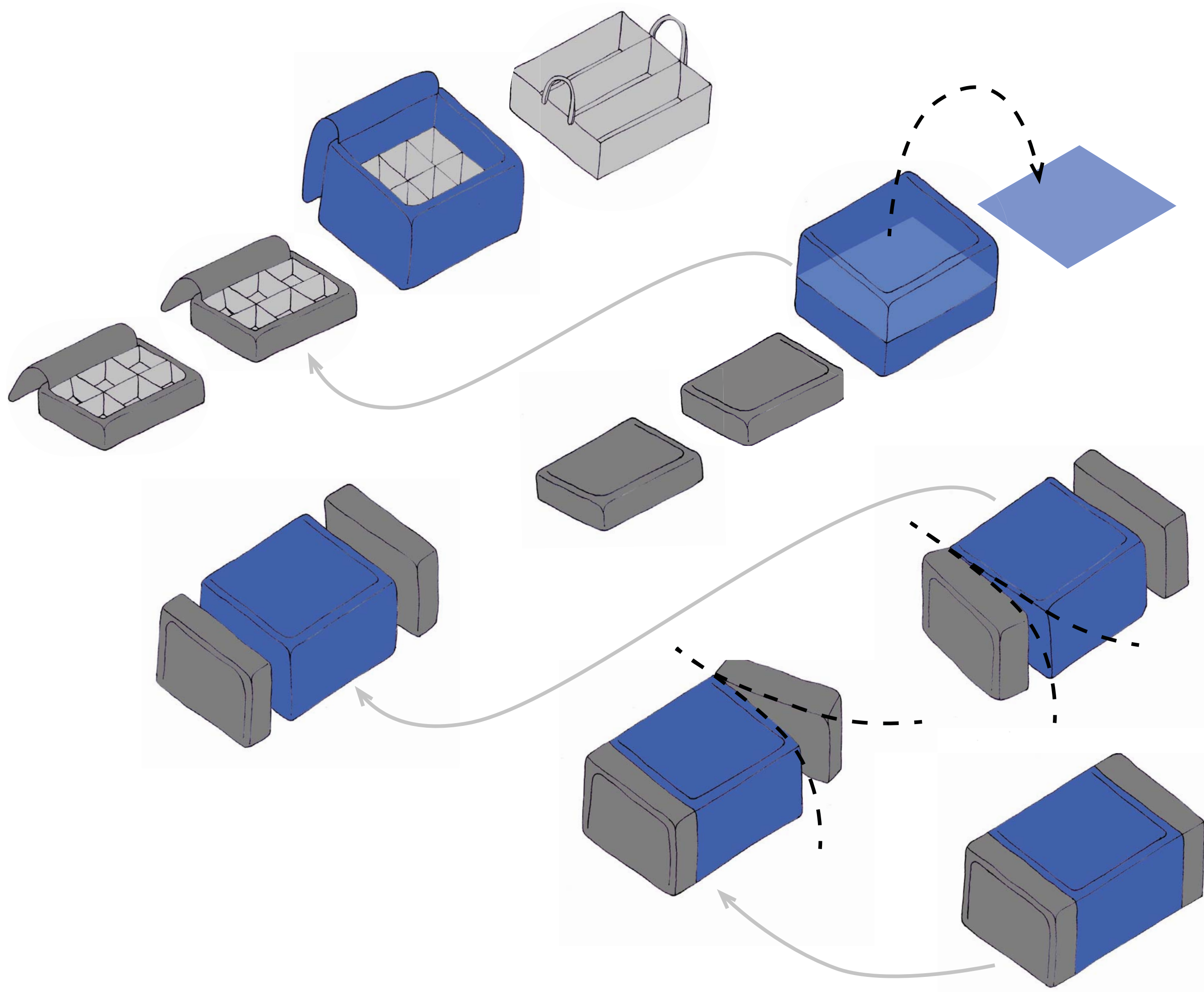
## medical

emergency kit  
first aid supplies

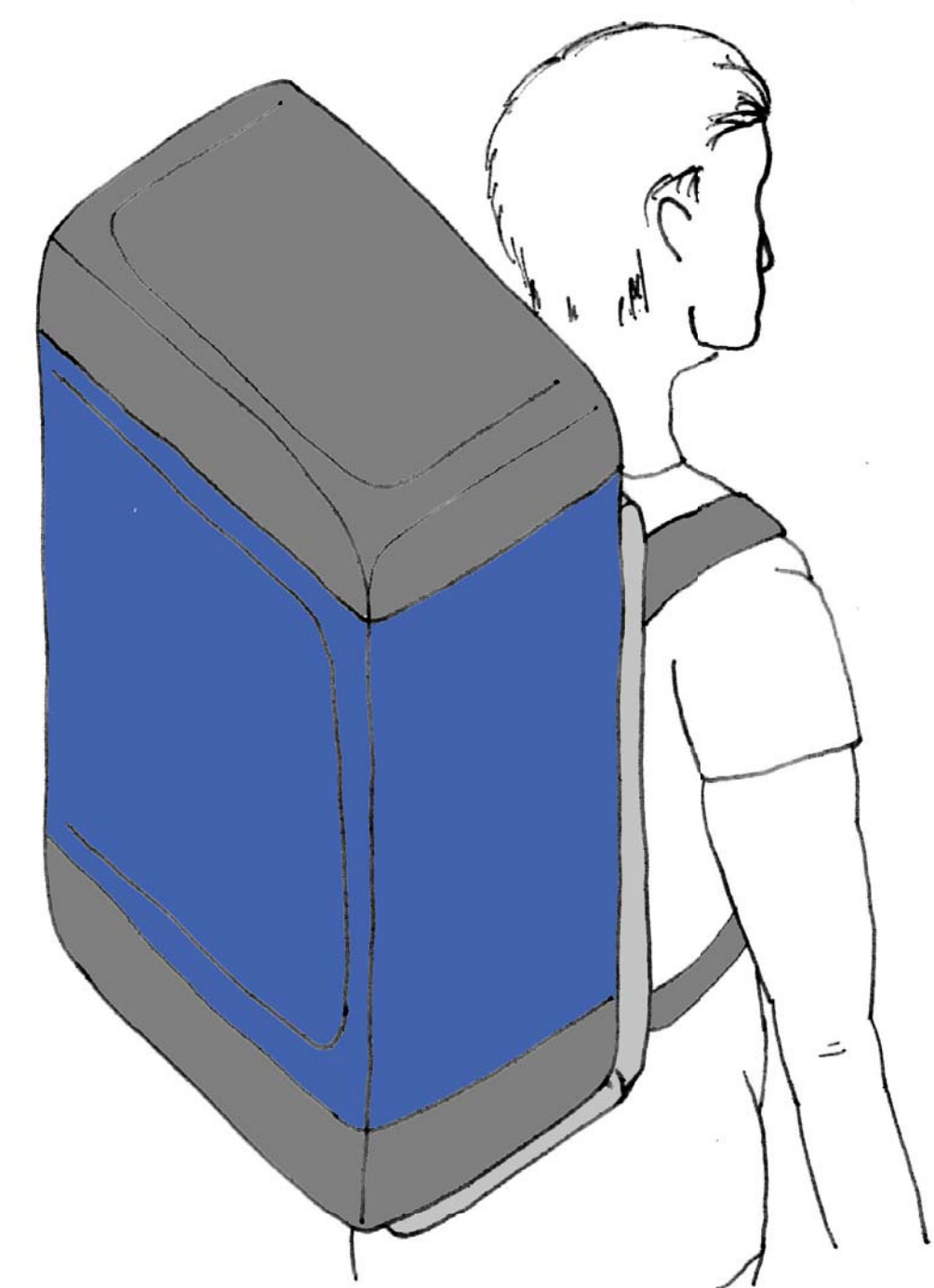
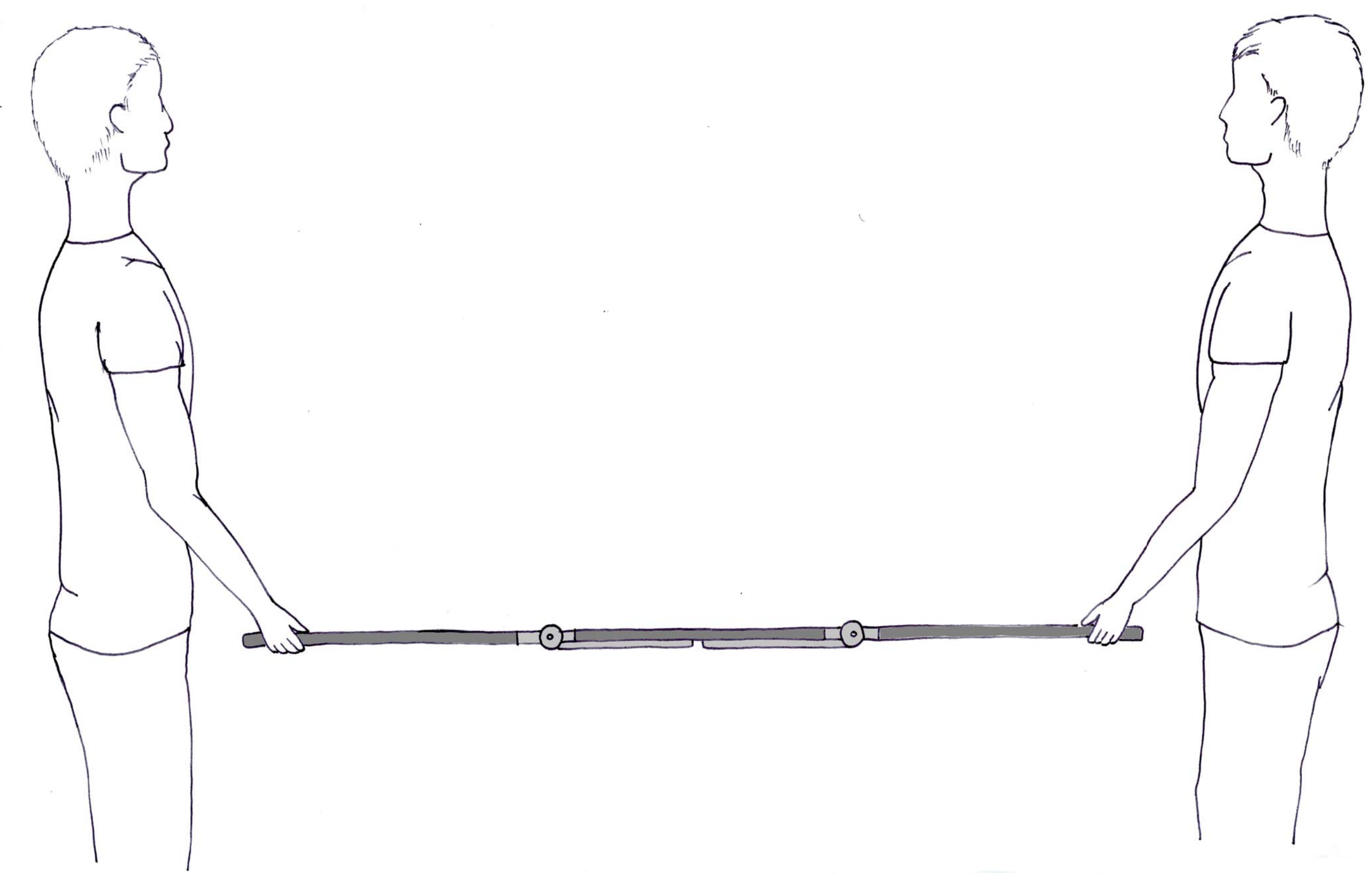
## • supplies



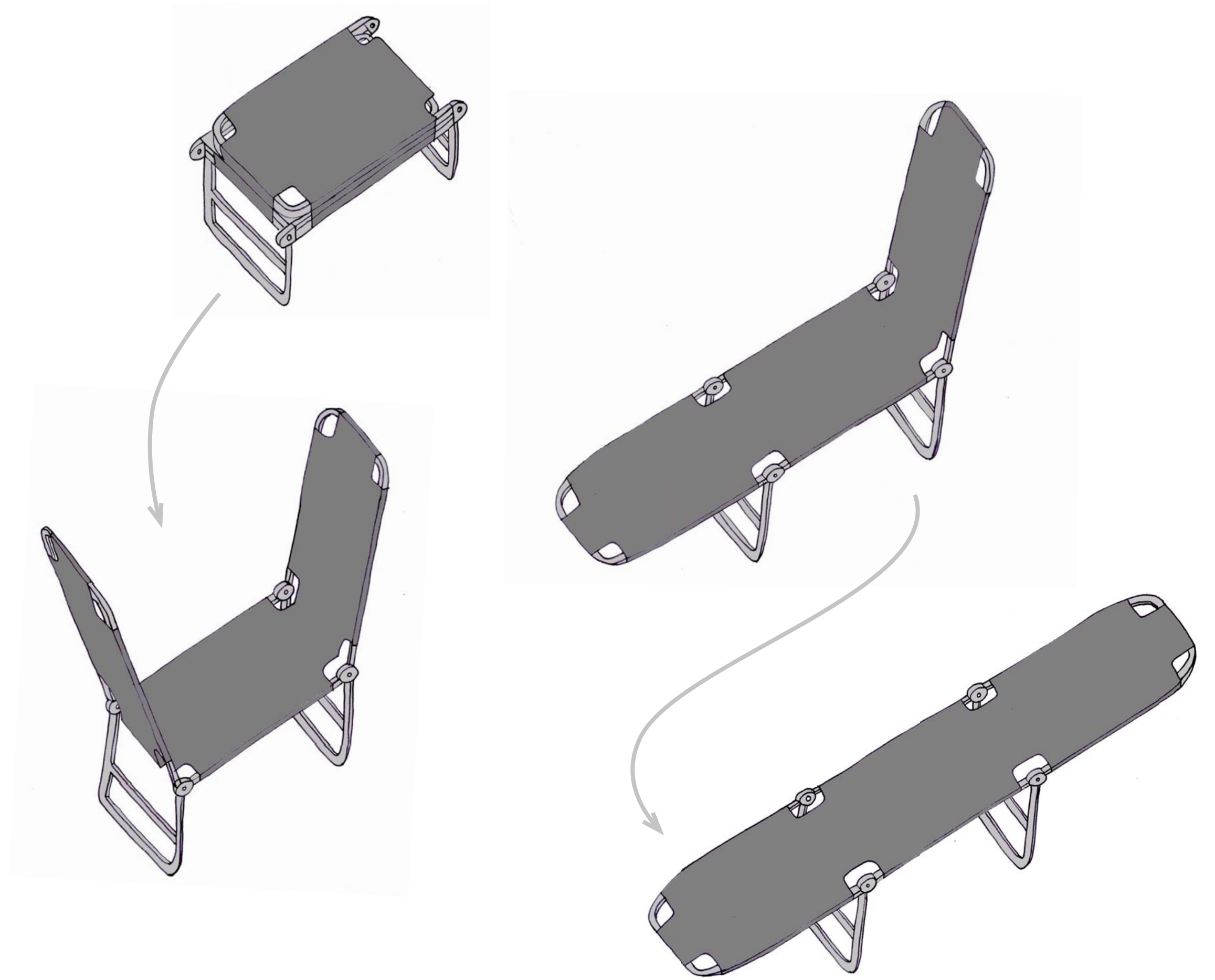
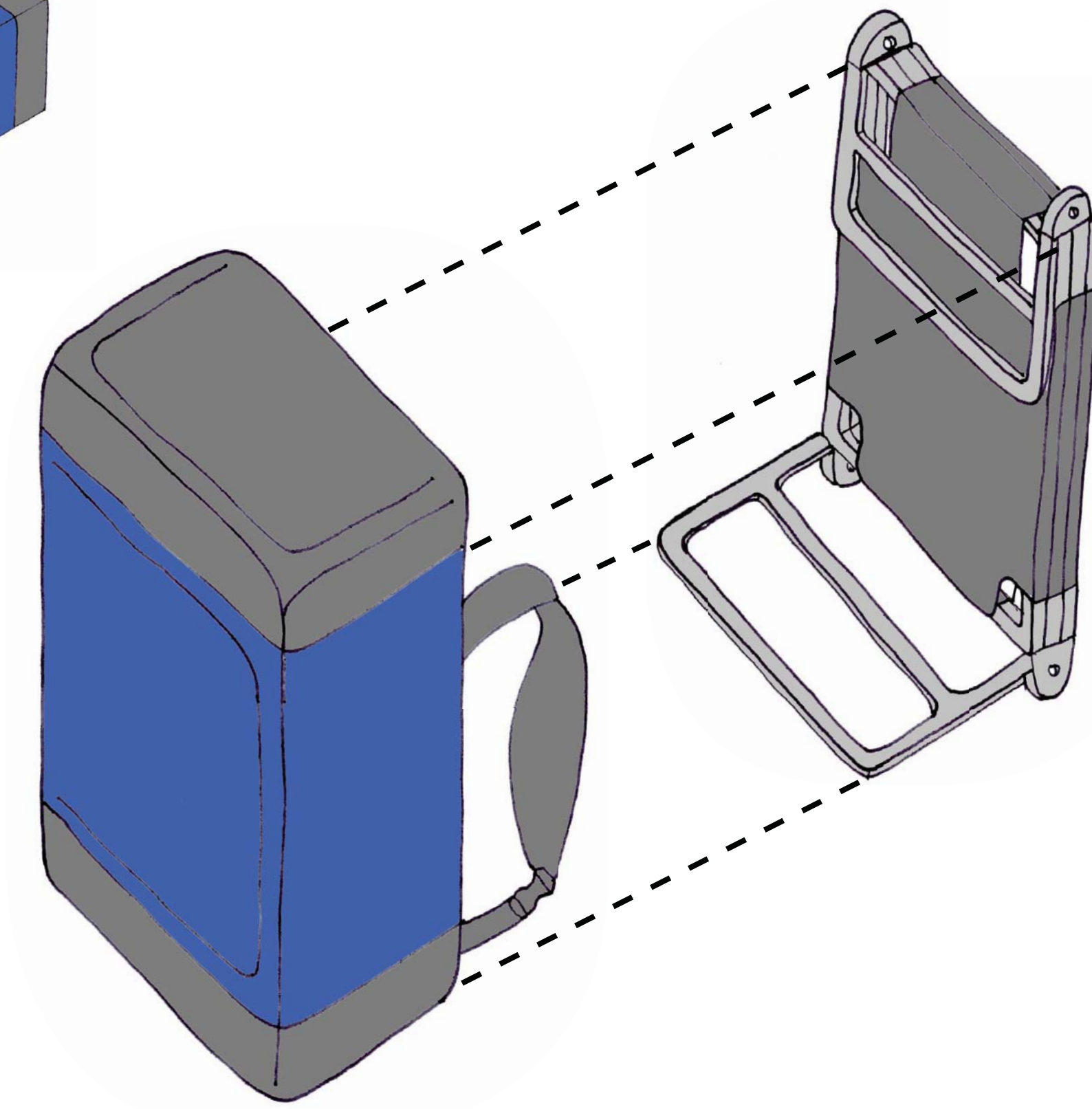
## • configuration



- fold out chair can be made into a stretcher for emergencies
- chair becomes frame for backpack
- straps un-buckle and allow chair to attach
- chair leg becomes frame support for bottom of backpack



- medical supplies in zip-off sections
- sections allow medical and pharmaceutical supplies to be divided into separate areas
- dividers in each section allow for easy organization
- large openings create easy access to supplies
- 2 dividers can be removed from pharmaceutical portion of backpack



# • deconstruction