

# **MINIMUM SPACE REQUIREMENTS FOR ENCLOSED PLUMBING FIXTURE SUPPORTS**

This chart is for Architects, Plumbing Engineers, Contractors and others who specify enclosed wall supports for off-the-floor plumbing fixtures.

The specific purpose is to insure that specifiers provide sufficient wall space to properly install and conceal the types of supports shown.

All dimensions shown are minimum and can be increased to accommodate required variations or accessories.

The types of fixture supports shown are detailed in ANSI A112.6.1M.



**The Plumbing and Drainage Institute**

800 Turnpike~ Street ~Suite 300~ North Andover, MA 01845

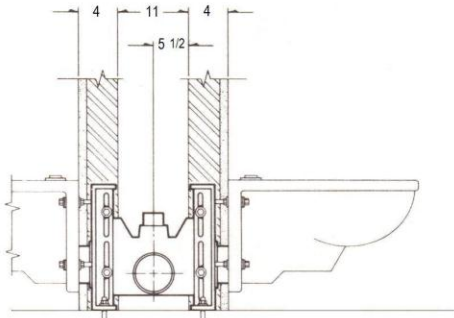
Phone: 800-589-8956

Web: [www.PDIonline.org](http://www.PDIonline.org) ~ E-Mail: [pdi@PDIonline.org](mailto:pdi@PDIonline.org)

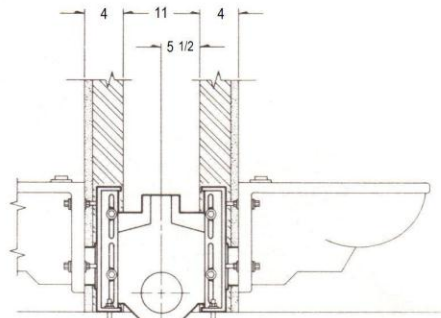
# MINIMUM SPACE REQUIREMENTS FOR ENCLOSED PLUMBING FIXTURE SUPPORTS

## Horizontal Adjustable Carriers

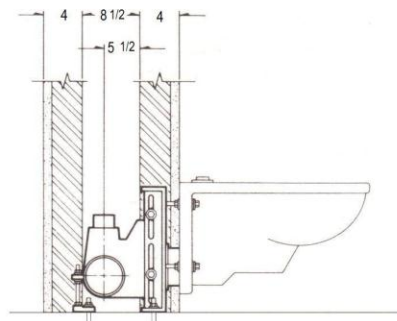
## Vertical Adjustable Carriers



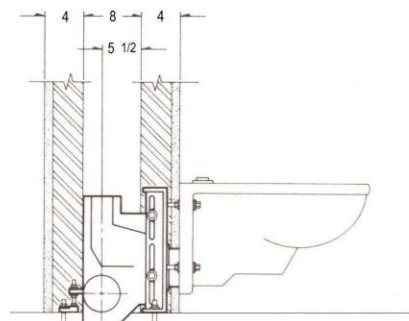
**DOUBLE IN METAL STUD WALL**



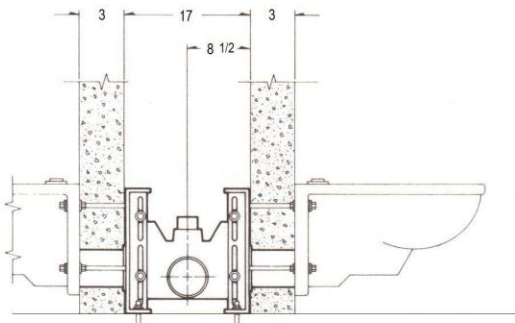
**DOUBLE IN METAL STUD WALL**



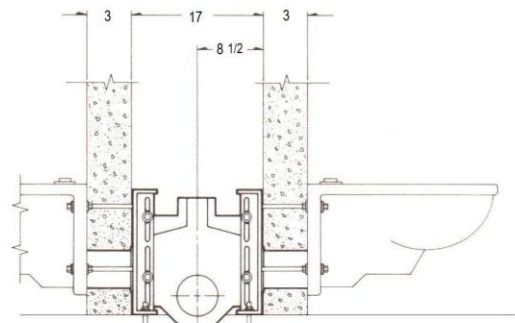
**SINGLE IN METAL STUD WALL**



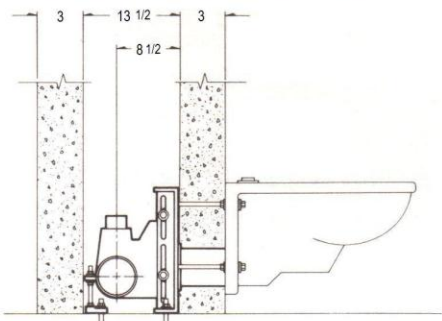
**SINGLE IN METAL STUD WALL**



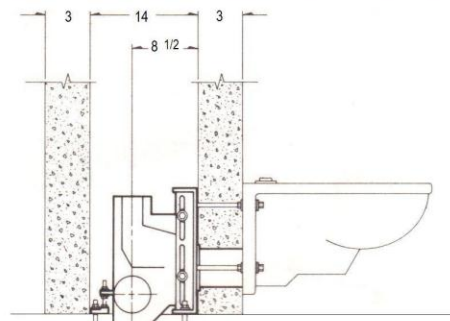
**DOUBLE IN BLOCK WALL**



**DOUBLE IN BLOCK WALL**



**SINGLE IN BLOCK WALL**

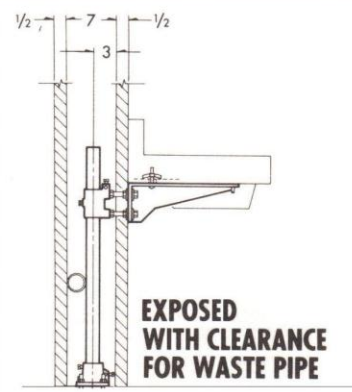
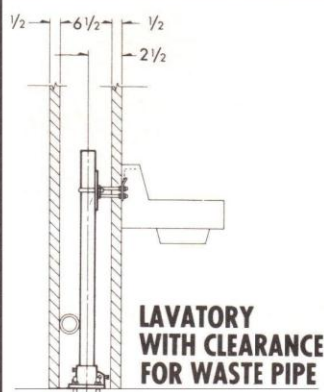
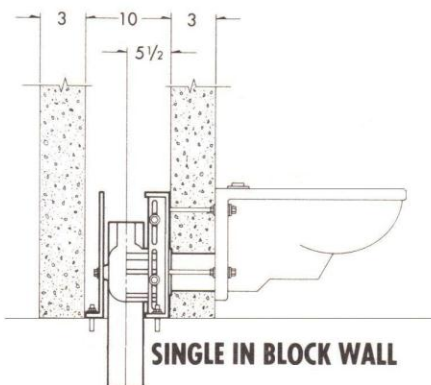
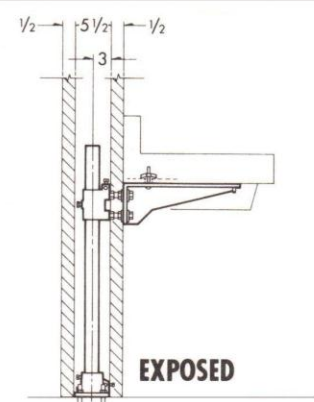
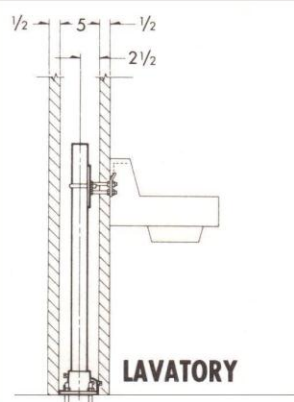
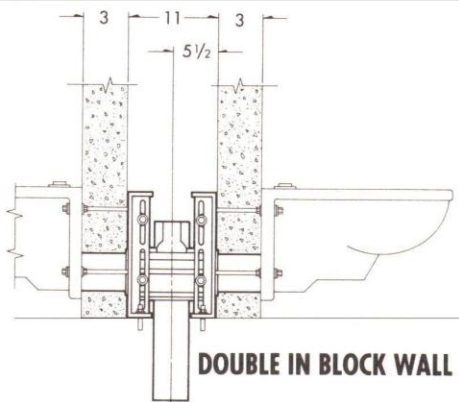
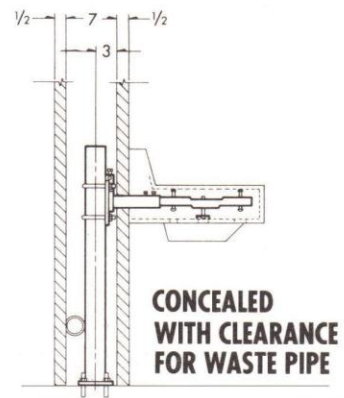
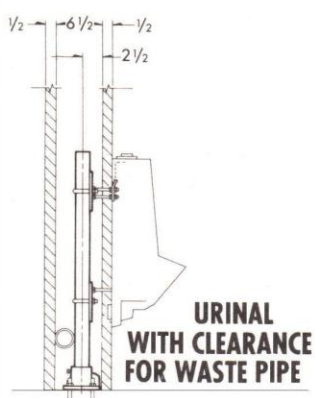
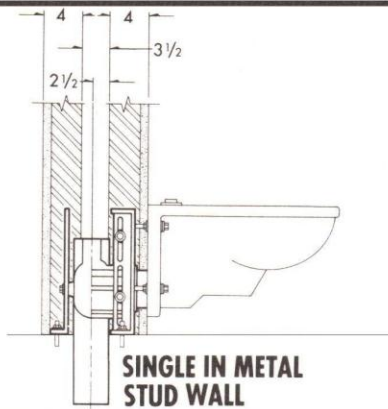
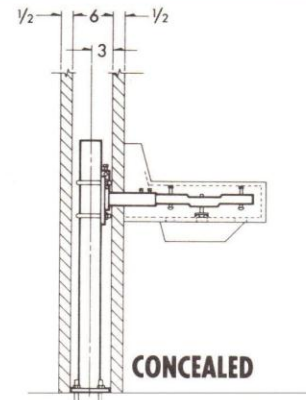
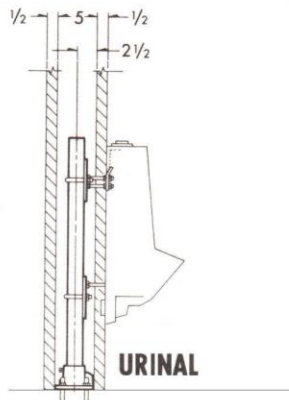
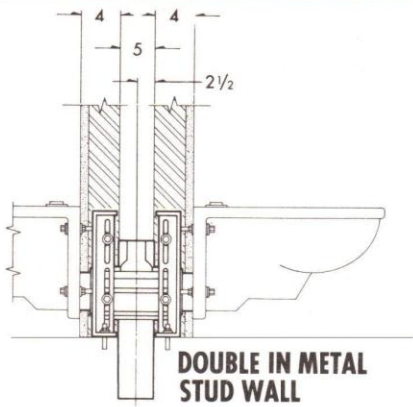


**SINGLE IN BLOCK WALL**

## Vertical Fixed Carriers

## Hanger Plate Carriers

## Arm Lavatory Carriers





## **AN ASSOCIATION OF MANUFACTURERS OF PLUMBING AND DRAINAGE EQUIPMENT**

### **PUBLICATIONS**

PDI WH-201 Water Hammer Arrestor Standard

PDI G-101 Standard - Testing and Rating  
Procedure for Grease Interceptors

PDI Code Guide 302 and Glossary of Industry Terms  
Guide To Grease Interceptors ~ Eliminating the Mystery

### **MEMBER COMPANIES**

**ASHLAND POLYTRAP**  
P.O. Box 218  
Williston, Ohio 43468

**FLEXIAL CORPORATION**  
1483 Gould Drive P.O. Box 3105  
Cookeville, TN 38501

**JAY R. SMITH MFG., CO.**  
2781 Gunter Drive East  
Montgomery, AL 36109

**ROCKFORD SEPARATORS**  
5159 28<sup>th</sup> Ave.  
Rockford, IL 61109

**WATTSWATER TECHNOLOGIES**  
815 Chestnut St.  
North Andover, MA 01845

**BIO-MICROBICS INC.**  
8450 Cole Parkway  
Shawnee, KS 66227

**GREEN TURTLE AMERICAS LTD.**  
2709 Water Ridge Parkway, Suite 410  
Charlotte, NC 28217

**JOSAM COMPANY**  
525 W. US Highway 20  
Michigan City, IN 46360

**THERMACO INC.**  
646 Greensboro St.  
Asheboro, NC 27203

**ZURN INDUSTRIES, INC.**  
1801 Pittsburgh Ave.  
Erie, PA 16502

**CANPLAS INDUSTRIES, LTD.**  
500 Veterans Drive Box 1800  
Barrie, Ontario Canada L4M 4V3

**HIGHLAND TANK/LOWE ENGINEERING**  
1510 Stoyston Road  
Friedens, PA 15541

**MIFAB INC.**  
1321 West 119<sup>th</sup> St.  
Chicago, IL 60643

**WADE SPECIFICATION DRAINAGE PRODUCTS/  
WADE HYDROMAX®**  
11910 Country Rd. 492, Tyler, TX 75706

### **THE PLUMBING AND DRAINAGE INSTITUTE**

800 Turnpike Street ~ Suite 300 ~ North Andover, MA 01845

Tel: 800- 589-8956

Web: [www.PDIonline.org](http://www.PDIonline.org) ~ E-Mail: [pdi@PDIonline.org](mailto:pdi@PDIonline.org)