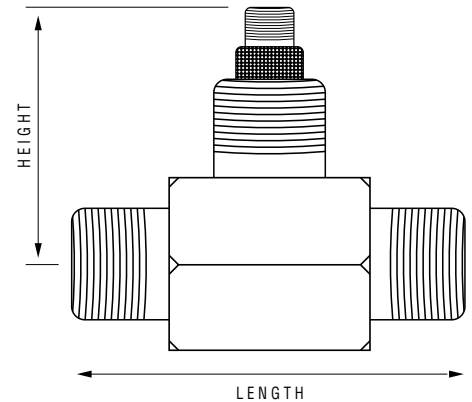


G Series Precision Meters

| Size | NPT and Flared Tubing | | Sanitary Clamp | | Flanged* | |
|-----------|-----------------------|-----------------------|-----------------------|-----------------------|-----------------------|-----------------------|
| | Length inches (mm) | Height inches (mm) | Length inches (mm) | Height inches (mm) | Length inches (mm) | Height inches (mm) |
| 1/2 in. | 2.75 (70) | 2.56 (65) | 2.75 (70) | 2.56 (65) | — | — |
| 3/4 in. | 3.25 (82) | 2.62 (66) | 3.25 (82) | 2.62 (66) | 5.50 (140) | 2.00 (51) |
| 1 in. | 3.56 (90) | 2.75 (70) | 3.56 (90) | 2.75 (70) | 5.50 (140) | 2.12 (54) |
| 1-1/2 in. | 4.59 (116) | 3.00 (76) | 4.59 (116) | 3.00 (76) | 6.00 (152) | 2.50 (63) |
| 2 in. | 6.06 (154) | 3.25 (82) | 6.06 (154) | 3.25 (82) | 6.50 (165) | 3.00 (76) |
| 3 in. | 10.00 (254) | 3.50 (89) | — | — | 10.00 (254) | 3.75 (95) |

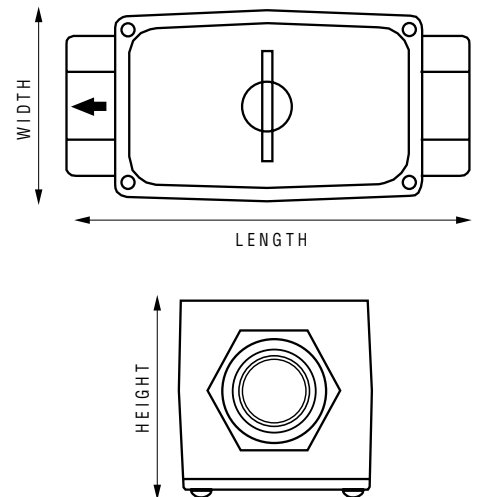
* Height on flange meters, measures from center line to top of flange.



G2 Series Industrial Grade Meters

| Model | Length inches (mm) | Height inches (mm) | Width inches (mm) | Model | Length inches (mm) | Height inches (mm) | Width inches (mm) |
|-------|-----------------------|-----------------------|----------------------|-------|-----------------------|-----------------------|----------------------|
| A05 | 4.2 (107) | 1.8 (46) | 2.0 (51) | H20 | 6.3 (160) | 3.2 (81) | 3.3 (84) |
| A07 | 4.3 (109) | 2.0 (51) | 2.0 (51) | P05 | 7.3 (185) | 3.2 (81) | 2.1 (53) |
| A10 | 4.5 (114) | 2.2 (56) | 2.0 (51) | P10 | 8.1 (206) | 3.3 (84) | 2.8 (71) |
| A15 | 5.3 (135) | 2.8 (71) | 2.7 (68) | S05 | 4.2 (107) | 1.8 (46) | 2.0 (51) |
| A20 | 6.3 (160) | 3.2 (81) | 3.3 (84) | S07 | 4.3 (109) | 2.0 (51) | 2.0 (51) |
| B05 | 4.2 (107) | 1.8 (46) | 2.0 (51) | S10 | 4.5 (114) | 2.2 (56) | 2.0 (51) |
| B07 | 4.3 (109) | 2.0 (51) | 2.0 (51) | S15 | 5.3 (135) | 2.8 (71) | 2.7 (68) |
| B10 | 4.5 (114) | 2.2 (56) | 2.0 (51) | S20 | 6.3 (160) | 3.2 (81) | 3.3 (84) |
| B15 | 5.3 (135) | 2.8 (71) | 2.7 (68) | S10F | 6.75 (171) | 4.25 (108) | 4.25 (108) |
| B20 | 6.3 (160) | 3.2 (81) | 3.3 (84) | S15F | 8.0 (203) | 5.0 (127) | 5.0 (127) |
| C05 | 7.3 (185) | 3.2 (81) | 2.1 (53) | S20F | 9.50 (241) | 6.0 (152) | 6.0 (152) |
| C10 | 8.1 (206) | 3.3 (84) | 2.8 (71) | S05T | 5.0 (127) | 2.0 (51) | 1.8 (46) |
| H05 | 4.2 (107) | 1.8 (46) | 2.0 (51) | S07T | 5.0 (127) | 2.0 (51) | 2.0 (51) |
| H07 | 4.3 (109) | 2.0 (51) | 2.0 (51) | S10T | 5.5 (140) | 2.0 (51) | 2.2 (56) |
| H10 | 4.5 (114) | 2.2 (56) | 2.0 (51) | S15T | 6.5 (165) | 2.7 (68) | 2.8 (71) |
| H15 | 5.3 (135) | 2.8 (71) | 2.7 (68) | S20T | 7.0 (178) | 3.3 (84) | 3.2 (81) |

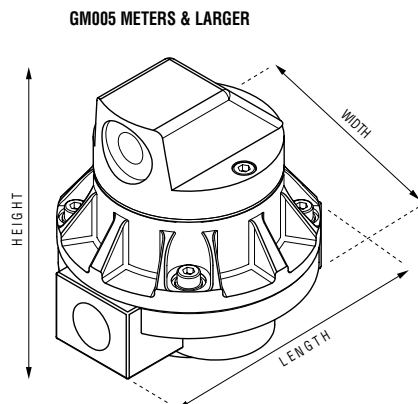
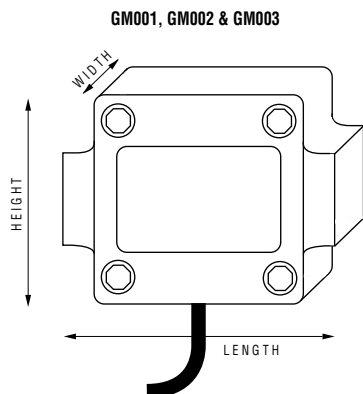
NOTE: 09 Display adds 1.1" (28 mm) to height.



NOTE: Dimensions are for reference only and may vary by model.

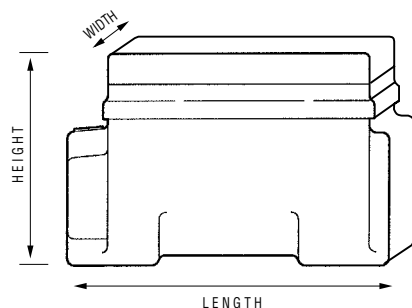
METER DIMENSIONS

GM Series Oval Gear Meters



| Model | Length inches (mm) | Width inches (mm) | Height inches (mm) |
|-------|-----------------------|----------------------|-----------------------|
| GM001 | 2.58 (65) | 1.97 (50) | 1.81 (46) |
| GM002 | 2.58 (65) | 1.97 (50) | 1.81 (46) |
| GM003 | 2.58 (65) | 1.97 (50) | 1.81 (46) |
| GM005 | 3.94 (100) | 3.78 (96) | 4.13 (105) |
| GM006 | 5.24 (133) | 4.41 (112) | 4.96 (126) |
| GM007 | 4.25 (108) | 3.94 (100) | 4.72 (120) |
| GM010 | 5.24 (133) | 4.41 (112) | 5.43 (138) |
| GM015 | 5.91 (150) | 5.67 (144) | 6.42 (163) |
| GM020 | 9.45 (240) | 7.01 (178) | 7.40 (188) |
| GM505 | 3.94 (100) | 4.41 (112) | 4.92 (125) |
| GM510 | 5.24 (133) | 4.41 (112) | 6.18 (157) |
| GM515 | 9.45 (240) | 7.01 (178) | 8.07 (205) |
| GM520 | 9.45 (240) | 7.01 (178) | 8.07 (205) |

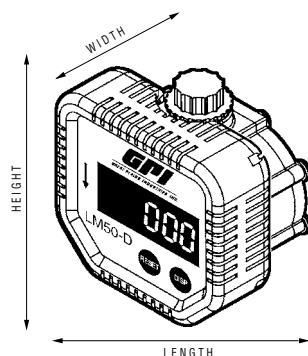
A1 Series Meters



| Model | Length inches (mm) | Height inches (mm) | Width inches (mm) |
|-------|-----------------------|-----------------------|----------------------|
| A025 | 4.0 (102) | 2.5 (63) | 2.0 (51) |
| A100 | 4.0 (102) | 2.5 (63) | 2.0 (51) |
| A200 | 6.0 (152) | 4.5 (114) | 3.0 (76) |
| N025 | 4.0 (102) | 2.5 (63) | 2.0 (51) |
| N100 | 4.0 (102) | 2.5 (63) | 2.0 (51) |

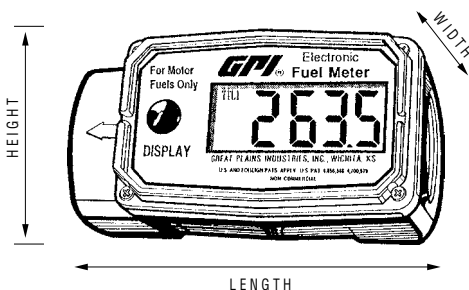
Economy Meters

LM Series



| Model | Length inches (mm) | Height inches (mm) | Width inches (mm) |
|--------|-----------------------|-----------------------|----------------------|
| LM50DN | 3.52 (89) | 3.15 (80) | 2.24 (57) |

01 Series



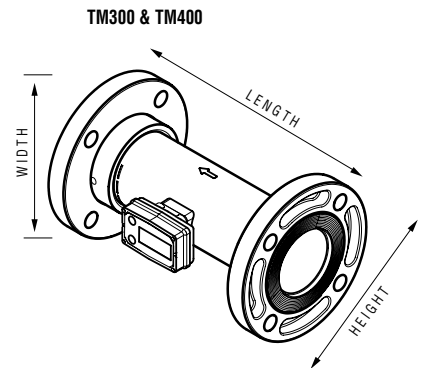
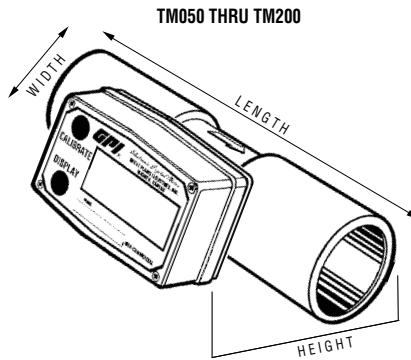
| Model | Length inches (mm) | Height inches (mm) | Width inches (mm) |
|-------|-----------------------|-----------------------|----------------------|
| 01A | 4.0 (102) | 2.5 (63) | 2.0 (51) |
| 01N | 4.0 (102) | 2.5 (63) | 2.0 (51) |

NOTE: Dimensions are for reference only and may vary by model.

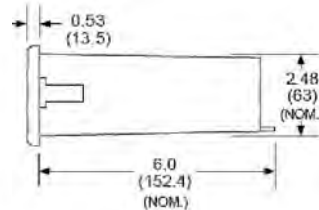
TM Meters

| Model | Length* inches (mm) | Height** inches (mm) | Width inches (mm) |
|----------------|------------------------|-------------------------|----------------------|
| TM050 | 3.8 (96) | 2.6 (66) | 2.0 (51) |
| TM050-N | 5.8 (147) | 2.6 (66) | 2.0 (51) |
| TM075 | 3.8 (96) | 2.7 (68) | 2.0 (51) |
| TM075-N | 5.8 (147) | 2.7 (68) | 2.0 (51) |
| TM100 | 4.1 (104) | 3.1 (79) | 2.0 (51) |
| TM100-N | 6.1 (155) | 3.1 (79) | 2.0 (51) |
| TM150 | 5.4 (137) | 3.7 (94) | 2.1 (53) |
| TM150-N | 7.4 (188) | 3.7 (94) | 2.1 (53) |
| TM200 | 5.5 (140) | 4.2 (107) | 2.4 (61) |
| TM200-N | 7.5 (190) | 4.2 (107) | 2.4 (61) |
| TM300 (Spigot) | 11.5 (292) | 5.34 (136) | 3.5 (89) |
| TM400 (Spigot) | 13.5 (343) | 6.34 (161) | 4.5 (114) |
| TM300 (NPT) | 14.7 (373) | 5.78 (147) | 4.37 (111) |
| TM400 (NPT) | 17.0 (432) | 6.76 (172) | 5.34 (136) |
| TM300 (Flange) | 12.0 (305) | 7.5 (190) | 7.5 (190) |
| TM400 (Flange) | 14.0 (356) | 9.0 (229) | 9.0 (229) |

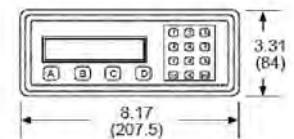
* Length guidelines are estimates; actual length can vary up to $\pm 1/2"$.
 ** Computer display adds 1.1" (28 mm) to height.



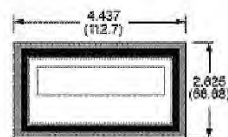
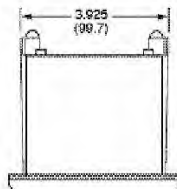
| Model | Depth inches (mm) | Height inches (mm) | Width inches (mm) |
|-------|----------------------|-----------------------|----------------------|
| GBT | 6.53 (165) | 3.31 (84) | 8.17 (207) |



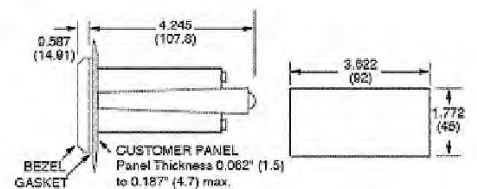
GBT Controller



| Model | Depth inches (mm) | Height inches (mm) | Width inches (mm) |
|-----------|----------------------|-----------------------|----------------------|
| GBM & GRT | 4.8 (122) | 2.8 (71) | 4.4 (112) |



GBM & GRT Series Controllers



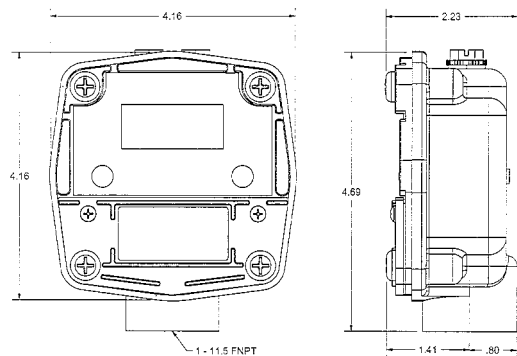
NOTE: Dimensions are for reference only and may vary by model.

METER DIMENSIONS

Electronic Choice - Local & Remote

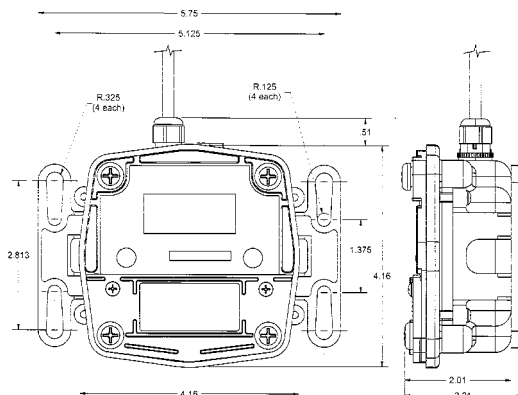
(Dimensions can vary by model.)

Local Model



| Length inches (mm) | Height inches (mm) | Width inches (mm) |
|-----------------------|-----------------------|----------------------|
| 2.23 (57) | 4.69 (119) | 4.16 (106) |

Remote Model



| Length* inches (mm) | Height † inches (mm) | Width* inches (mm) |
|------------------------|-------------------------|-----------------------|
| 2.21 (56) | 4.67 (119) | 5.75 (146) |

- * Includes Mounting Bracket
- † Includes Strain Relief

NOTE: Dimensions are for reference only and may vary by model.