

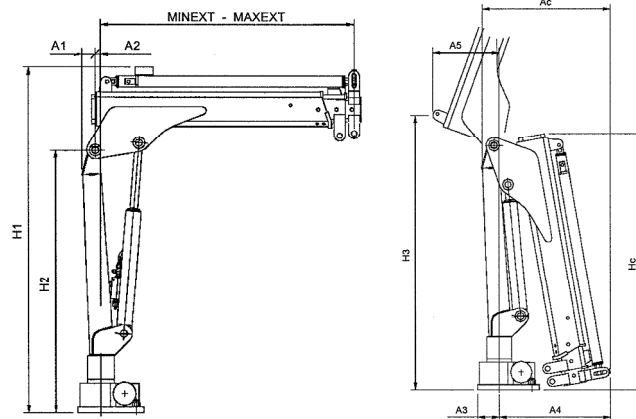
## Standard Shot-Tech Robotic Arm

**Description** The Shot-Tech Robotic Arm is used for the application of sprayed shotcrete in mines, small galleries and excavations. It is the most efficient and effective method to apply shotcrete; the shotcrete capacity is 5-40 cubic yards per hour (depending on concrete supply). The simple construction allows the Shot-Tech Robotic Arm to be mounted to virtually any type of carrier. It provides thousands of yards of dependable shotcreting and eliminates many of the most common problems associated with hand-held nozzeling.

**Provides:**

- Increased safety, visibility and control
- Consistent, high-quality shotcrete application
- Less rebound by using the correct angle, distance and compaction
- Higher production (both wet and dry)
- Significant savings in per-yard placement, including material savings, faster setup, earlier completion dates, decreased labor costs and no scaffolding or lift expense.

**General Dimensions**

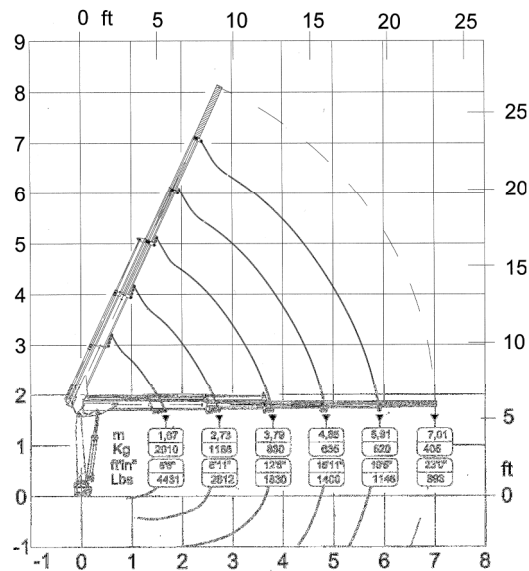


Approx. Length: 7 ft. (2.13m)  
 Approx. Width: 2 ft. (0.61m)  
 Approx. Height: 6 ft. (1.82m)  
 Approx. Weight: 1,700 lbs. (772kg)

**Drive**

- Hydraulic flow requirements: 7-10 gpm (26-38 l/m)
- Pressure requirements: 2,500 psi (172 bar)
- Hydraulics may be supplied by carrier, electric motor driven power unit, or engine driven power unit
- Proportional control for all functions provided via remote control
- Electrical requirements: 12 – 32 v DC, 10 amps

**Range/ Movement**



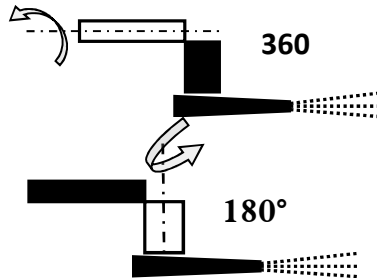
Arm Extension: Minimum: 8' 6" / Maximum: 22.6'

Arm Rotation: 360° Non-continuous

Spraying Head: 360°

Spraying Head: 180°

Nozzle: endless



**Accessories**

- Standard Remote Control – 30ft. (9.1m) cable or Optional Wireless Remote Control – 300ft. (91m) range
  - Durable enclosure houses all controls
  - Easy-to-understand controls, and operator friendly
  - Lightweight and comfortable to wear
- Standard LED work lights (2)
- Optional Chemical Dosing Pump – hydraulic or electric

Note: Due to continuous development and improvement, we reserve the right to modify the design and specification of our products without notice.