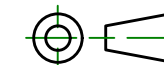


CONFIDENTIAL:
This drawing and the information herein are the exclusive property of jbare design. Any reproduction or use without express written consent is strictly allowed.

DIMENSIONS:
All dimensions are in inches unless noted otherwise - views are not to scale unless noted.

THIRD ANGLE PROJECTION



TOLERANCE
UNLESS OTHERWISE NOTED
X.XXX ±0.031 in [X.X ±0.8 mm]
X.XX ±0.06 in [X.X ±1.5 mm]
X.X ±0.1 in [X.X ±2.5 mm]
ANGLES ±1°
FRACTIONAL ±1/32 in

DRAWN BY:
Jeff Bare

DATE:
3/27/2015

CUSTOMER:

PROJECT:

CUSTOMER REF No:

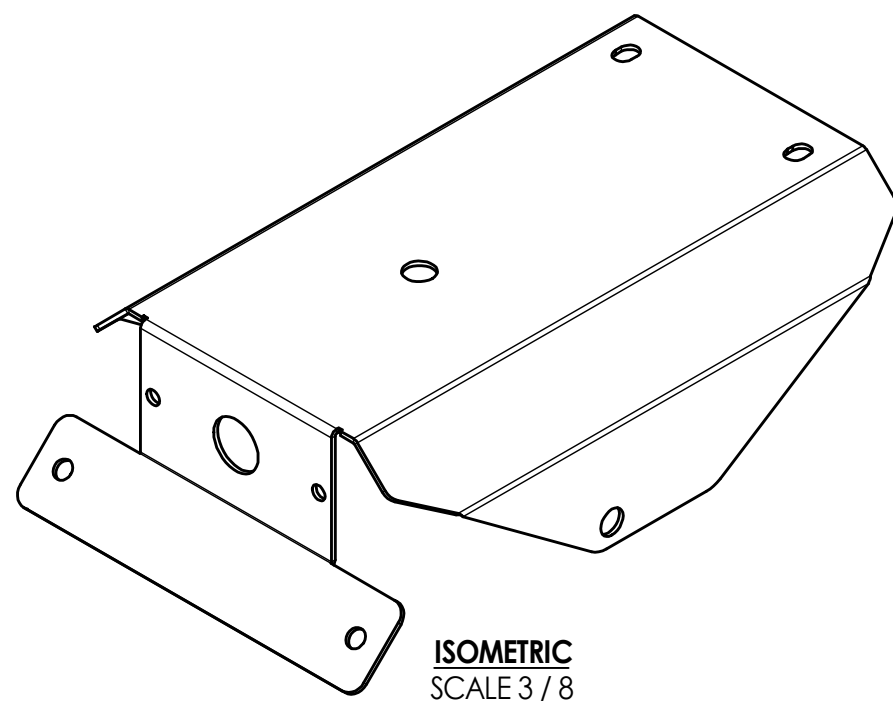
DESCRIPTION:
SHEET METAL FENDER
ELIMINATOR, CB750K 1977-78

REV No:

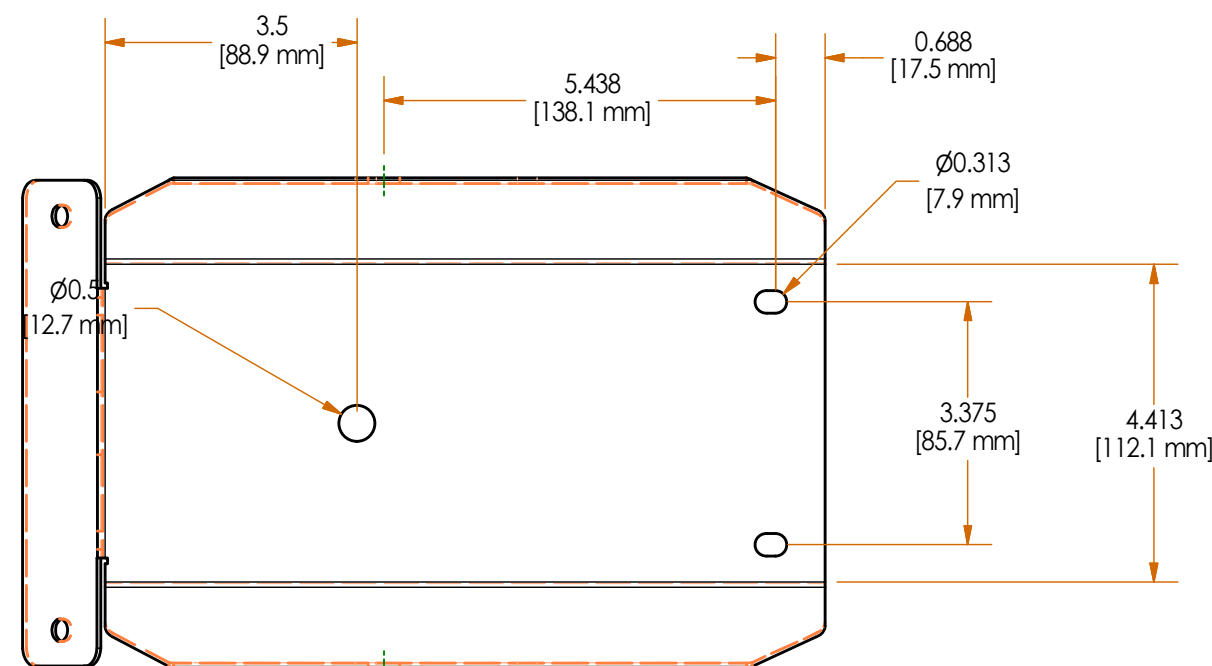
ITEM No:
JBD-FENDER-1

DOCUMENT No:
JBD-FENDER-1.dwg

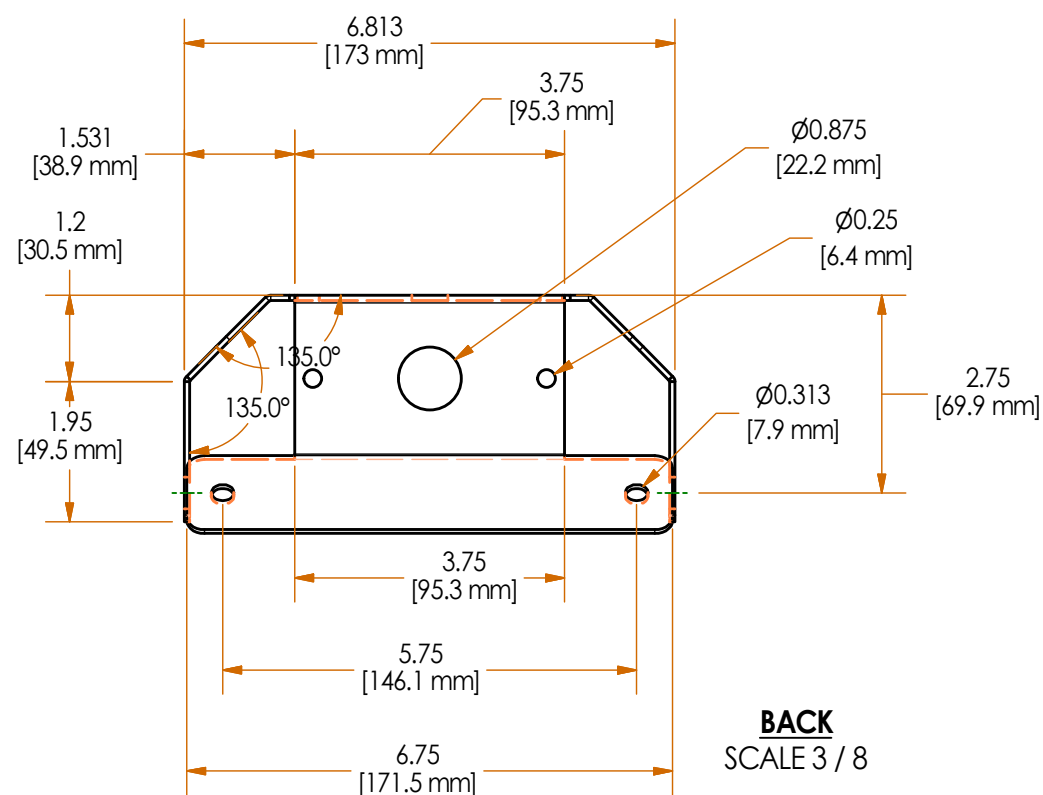
SHEET:
1 OF 3



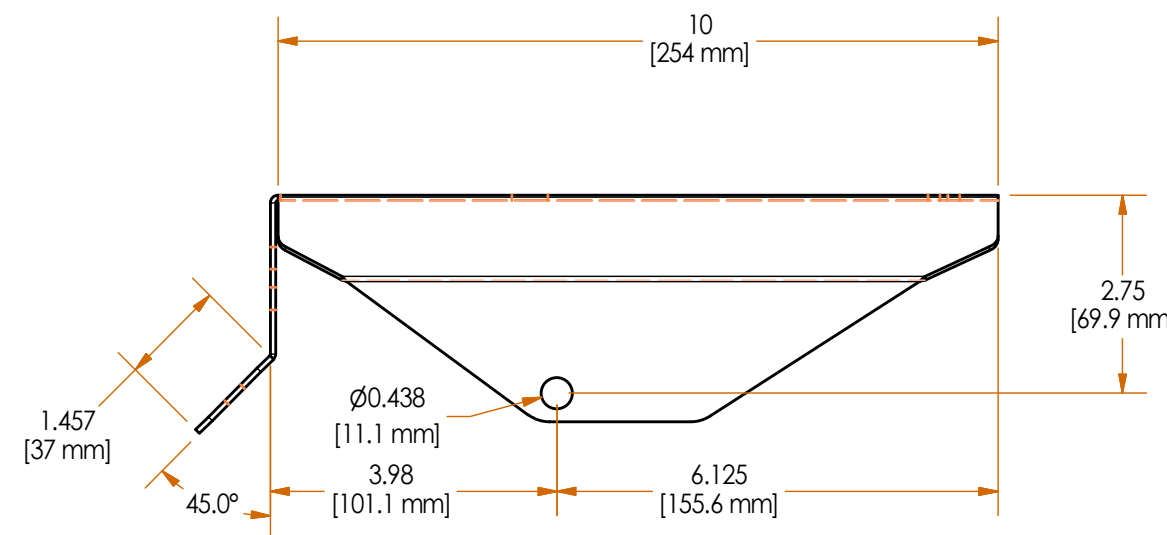
ISOMETRIC
SCALE 3 / 8



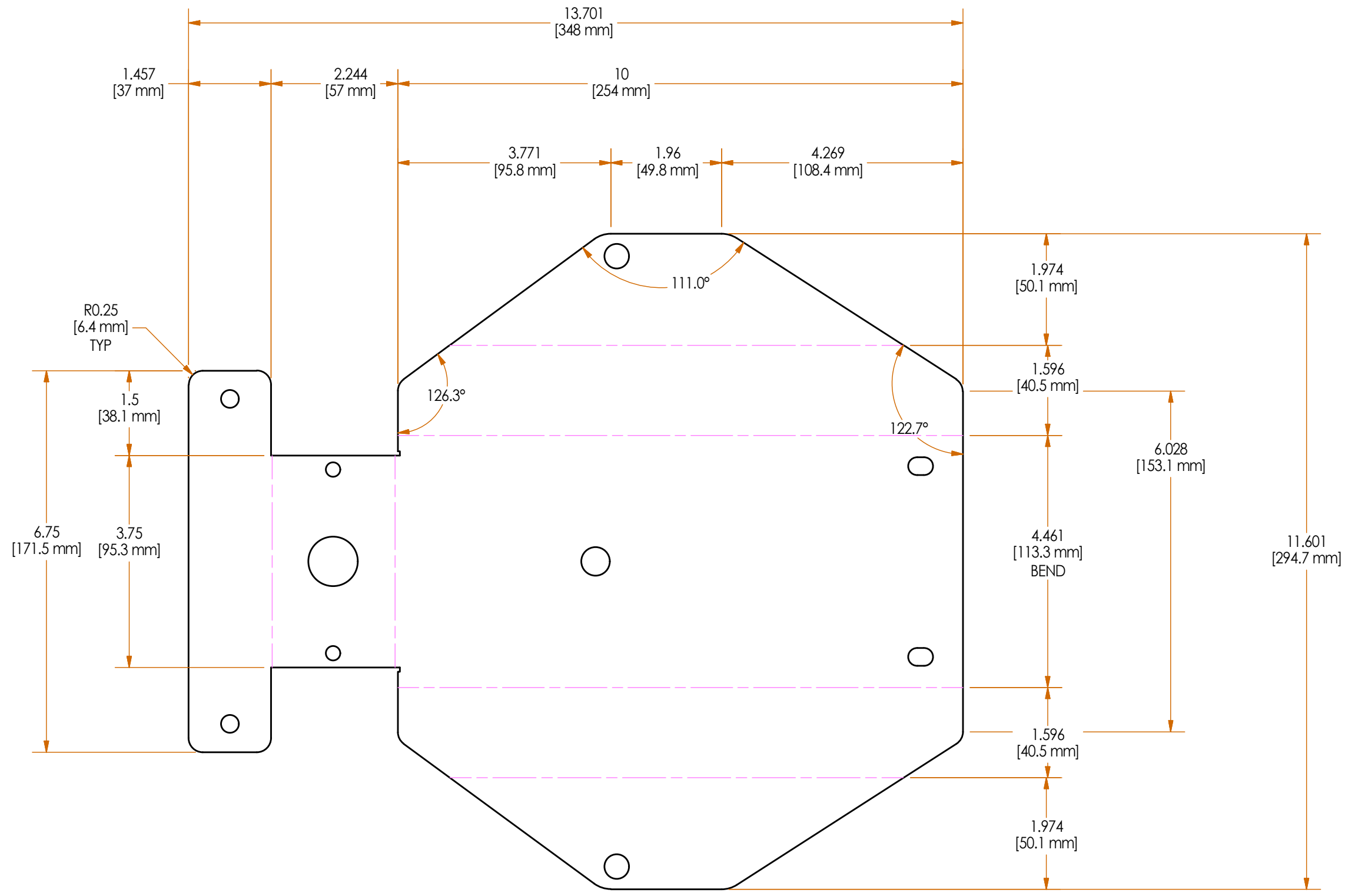
TOP
SCALE 3 / 8



BACK
SCALE 3 / 8



SIDE
SCALE 3 / 8



FLAT PATTERN
SCALE 1 / 2

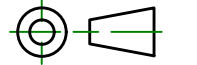
jbd

jbare design
www.jbaredesign.com

CONFIDENTIAL:
This drawing and the information herein are the exclusive property of jbare design. Any reproduction or use without express written consent is strictly allowed.

DIMENSIONS:
All dimensions are in inches unless noted otherwise - views are not to scale unless noted.

THIRD ANGLE PROJECTION



TOLERANCE
UNLESS OTHERWISE NOTED
X.XXX ±0.031 in [X.X ±0.8 mm]
X.XX ±0.06 in [X.X ±1.5 mm]
X.X ±0.1 in [X.X ±2.5 mm]
ANGLES ±1°
FRACTIONAL ±1/32 in

DRAWN BY:
Jeff Bare

DATE:
3/27/2015

CUSTOMER:

PROJECT:

CUSTOMER REF No:

DESCRIPTION:
SHEET METAL FENDER
ELIMINATOR, CB750K 1977-78

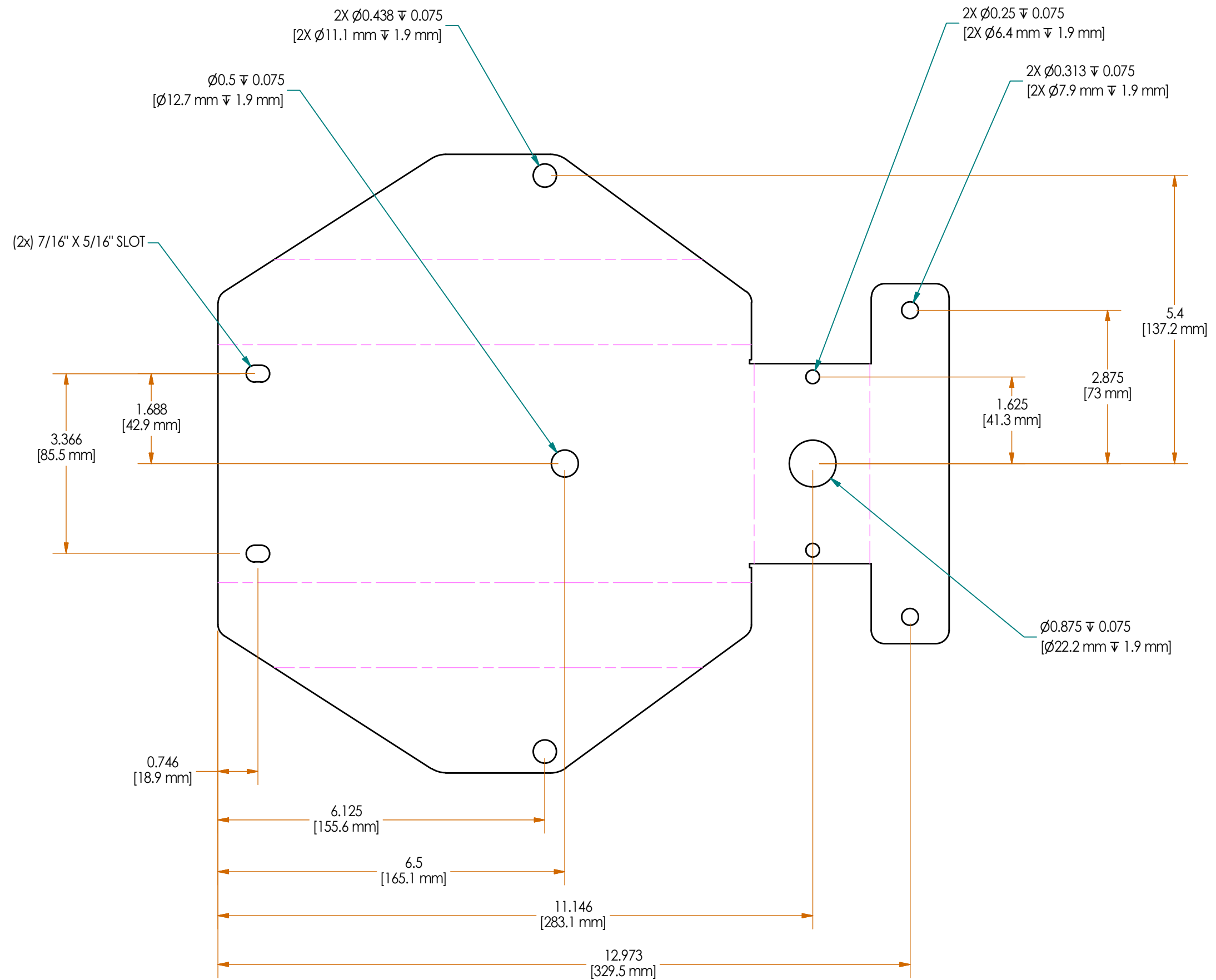
REV No:

ITEM No:
JBD-FENDER-1

DOCUMENT No:
JBD-FENDER-1.dwg

SHEET:

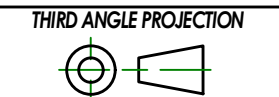
2 OF 3



FLAT PATTERN, HOLE DETAIL
SCALE 1 / 2

CONFIDENTIAL:
This drawing and the information herein are the exclusive property of jbare design. Any reproduction or use without express written consent is strictly allowed.

DIMENSIONS:
All dimensions are in inches unless noted otherwise - views are not to scale unless noted.



TOLERANCE
UNLESS OTHERWISE NOTED

X.XXX ± 0.031 in [X.X ± 0.8 mm]
 X.XX ± 0.06 in [X.X ± 1.5 mm]
 X.X ± 0.1 in [X.X ± 2.5 mm]
 ANGLES $\pm 1^\circ$
 FRACTIONAL $\pm 1/32$ in

DRAWN BY:
Jeff Bare

DATE:
3/27/2015

CUSTOMER:

PROJECT:

CUSTOMER REF No:

DESCRIPTION:
SHEET METAL FENDER
ELIMINATOR, CB750K 1977-78

REV No:

ITEM No:
JBD-FENDER-1

DOCUMENT No:
JBD-FENDER-1.dwg

SHEET:
3 OF **3**