



CMX Series

ENTERPRISE-CLASS MATRIX CAT5E KVM SWITCH (16/32 PORTS)

- Internet remote access
- 1–4 Independent Remote IP Users
- CAT-5 Based Cabling
- USB Virtual Media
- USB and PS/2 Support
- Terminal Emulator



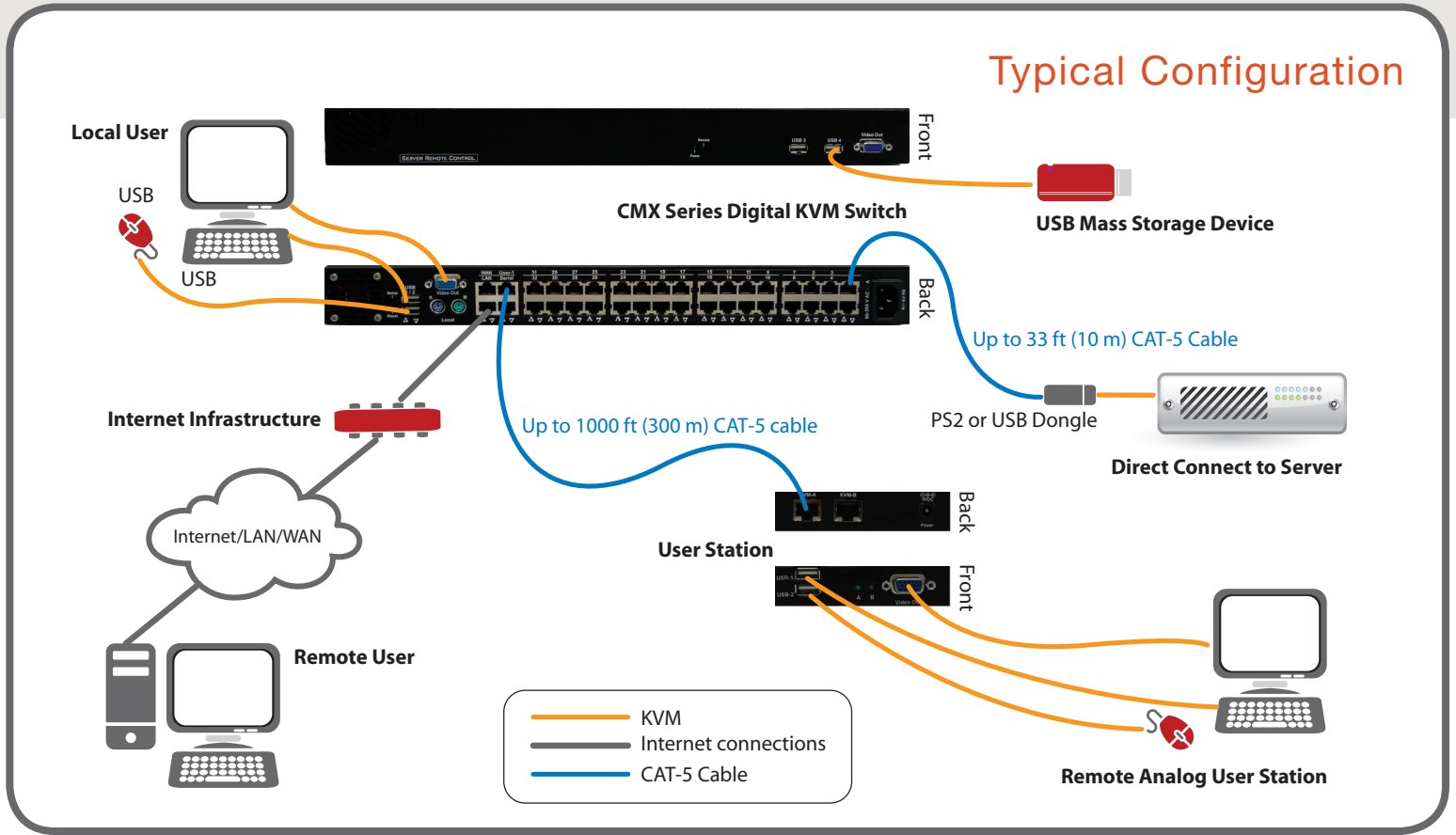
The CMX series are 16 or 32 input CAT5 matrix KVM switches, with 1, 2 or 4 remote users. This product solves all your important remote access problems.

FEATURES

- CMX1116 and CMX1132 have three independent channels:
 - 1) one IP;
 - 2) local analog VGA and
 - 3) a remote station port (up to 300 Meters distance extended).
- The CMX4116/CMX4132 has two/four fully independent remote IP channels.
- Local video connection on both front and back.
- Supports either PS/2 or USB as local keyboard and mouse.
- Remote analog user requires User Station, connected over CAT5e cable.
- Supports control of serial devices over serial ports, Telnet and SSH login.
- Has built-in VT102 (ANSI) compatible terminal emulator that may be accessed from local ports. Terminal mode allows remote shells via SSH or Telnet to any available device on network.
- Supports virtual media for all of the 32 servers (USB dongle required).

CMX Series

Typical Configuration



BENEFITS

This product solves all your important remote access problems. It connects to virtually any device via USB or PS/2 adapters. Servers can be up to 10 meters away (30ft), and low-cost CAT-5e cables are easily made on-site.

This CAT5 switch is unique in that it cost-effectively adds remote TCP/IP access to all those servers. Any VNC client can be used remotely or the provided Java Applet which runs in nearly any browser.

We recommend connecting all servers via our USB emulating dongle, since it solves all so-called 'mouse synchronization' issue which plagued certain earlier-generation products. A USB disk drive is emulated, as well as the keyboard and mouse, so that you can access a CD/DVD-ROM image (ISO file) remotely, or transfer key files between systems (and your web browser) by way of a shared RAM disk.

Two users can be directly connected to any server, using a VGA display and keyboard/mouse. One is local to the KVM's location and might be a KVM drawer in the same rack.

It could also be a 'crash cart' connected via the front panel VGA connector (with USB keyboard/mouse). Using a special CAT-5 output port and the CMXD100 User Station, another person can access any server port from a distance of up to 300m (1000 ft). Both of these 'local' users do not interfere with TCP/IP access in any way.

Our unique remote user-station (CMXD100) has dual input ports so up to 64 servers can be directly controlled from a single point. Local users, in addition to immediate real-time access to all servers, may also use our build-in terminal emulator which simulates a VT100 (ANSI) terminal and provides serial port access, SSH (Secure Shell) and Telnet access to any device on the local network (LAN). This is handy for communicating with power bars and other simple devices which provide Telnet/SSH access. Frequently used connections can be saved into a menu for easy use anytime. The CMX Series will create a new class of enterprise CAT5 switch with integrated TCP/IP remote access. It is a full-featured product at a surprisingly low price.

Digital Multitools Inc.

205-9005 Leslie Street, Richmond Hill, Ontario, Canada, L4B 1G7

+1-905-709-2334 | sales@dmz.com | www.dmtz.com

CMX Series

DETAILED SPECIFICATIONS

INPUTS: 32 X RJ45-8 Category 5e cable, max 10m

LOCAL PORTS

- 1 x HDDB15-F VGA video output (front and back)
- 2 x DIN6-F, keyboard and mouse (back)
- 2 x USB-A for USB keyboard, mouse and other USB devices (back)
- 2 x USB-A for USB keyboard, mouse and other USB devices (front)
- 1 x RJ45-8 Serial port (Adapter Needed)

REMOTE

- 2xRJ45-8 10/100 Ethernet ports, LAN and WAN.
- 1xRJ45-8 CAT5e remote user port

SWITCHES

- Reset switch
- OSD activate switch

INDICATORS

- Ethernet link and activity (front and back)
- Server link/activity (x32)
- User link/activity, Serial activity

VIDEO RESOLUTION: 1600x1200 @ 75Hz MAX

TCP/IP USERS

IP: Single video channel, multiple remote users.

REMOTE IP USERS: 5 Max all on same IP port (connection)

TERMINAL: Local terminal VT100 (ANSI) emulation, 80 columns, 25 lines.

PROTOCOLS

- SSH client, Telnet client, TIP (Serial Port)
- VNC for remote access, HTTPS for web control
- SNMP (administration), RADIUS (central authentication)
- SSH (tunneling, remote login)
- SSL for VNC encryption (tunnel), and others.

ELECTRICAL & MECHANICAL

POWER: Internal switching 100-240 VAC, 0.5A, 50/60 Hz, IEC320 socket.

SIZE W/D/H: 432/308/43mm (17" /12.1" /1.7") 1RU

WEIGHT: 3 Kg (TBD)

OPERATING: 0C to 40C/32F to 104F, 80% rh, nc

STORAGE: 40C to 70C/-40F to 158F

ACCESSORIES: SERVER INTERFACE ADAPTER (SIA)

These connect the switch to the server via a CAT5 cable, two varieties, USB and PS/2, Powered from the server.

USB (CMXD001)

- USB-B cable to server's USB port 480mm long.
- VGA cable to server's video 160mm long.
- 0.7W, Powered from USB port.
- Supports Virtual Media File Transfer

PS/2 (CMXD002)

- 2xDIN6-M keyboard and mouse cables 480mm long.
- HDDB15-M VGA video cable 160mm long.
- 0.5W, Powered from PS/2 ports.

SIZE W/D/H, WEIGHT: 92/40/23mm (not including cables), 115g

INDICATORS: Power LED

OPERATING: 0C to 40C/32F to 104F, 80% rh, nc

STORAGE: 40C to 70C/-40F to 158F

USER STATION CMXD100

CONNECTIONS

- 2x RJ45-8 CAT5e connectors for two CMX switches
- 1x USB Keyboard, 1x USB Mouse

VIDEO: 1x VGA video output

USB: 2x USB-A female for connection to keyboard and mouse (only).

REMOTE OVER CAT5e: Up to 300m (1000 ft) with video rates up to 1280x1024 @ 75Hz, or 200m at 1600x1200

INDICATORS: A/B Channel selection LED

SIZE W/D/H, WEIGHT: 102/112/18mm (4.0/4.405/0.937), 170g

POWER: DC Adapter, 5V, 4A, included.

OPERATING: 0C to 40C/32F to 104F, 80% rh, nc

STORAGE: 40C to 70C/-40F to 158F

PART NUMBERS

CMX1116: CAT5 switch, 16 port x 1 TCP/IP User x 1 Local VGA x 1 Cat5e Remote

CMX1132: CAT5 switch, 32 port x 1 TCP/IP User x 1 Local VGA x 1 Cat5e Remote

CMX4116: CAT5 switch: 16 port x 4 TCP/IP Users x 1 Local VGA x 1 Cat5e Remote

CMX4132: CAT5 switch: 32 port x 4 TCP/IP Users x 1 Local VGA x 1 Cat5e Remote

CMXD100: User Station, controls one or two CMX systems each over 300M Cat5e Cable

CMXD001: USB SIA File transfer enabled

CMXD001: PS/2 SIA For PS/2 systems

Digital Multitools Inc.

205-9005 Leslie Street, Richmond Hill, Ontario, Canada, L4B 1G7

+1-905-709-2334 | sales@dmzt.com | www.dmzt.com