

- NOTES**
- ALL FLOOD DEFENCE ALIGNMENTS AND DETAILS SHOWN ARE INDICATIVE.
- KEY**
- NEW FLOOD DEFENCE WALL
 - mAOD - METRES ABOVE ORDNANCE DATUM
 - - - NEW FENCE TO MATCH EXISTING

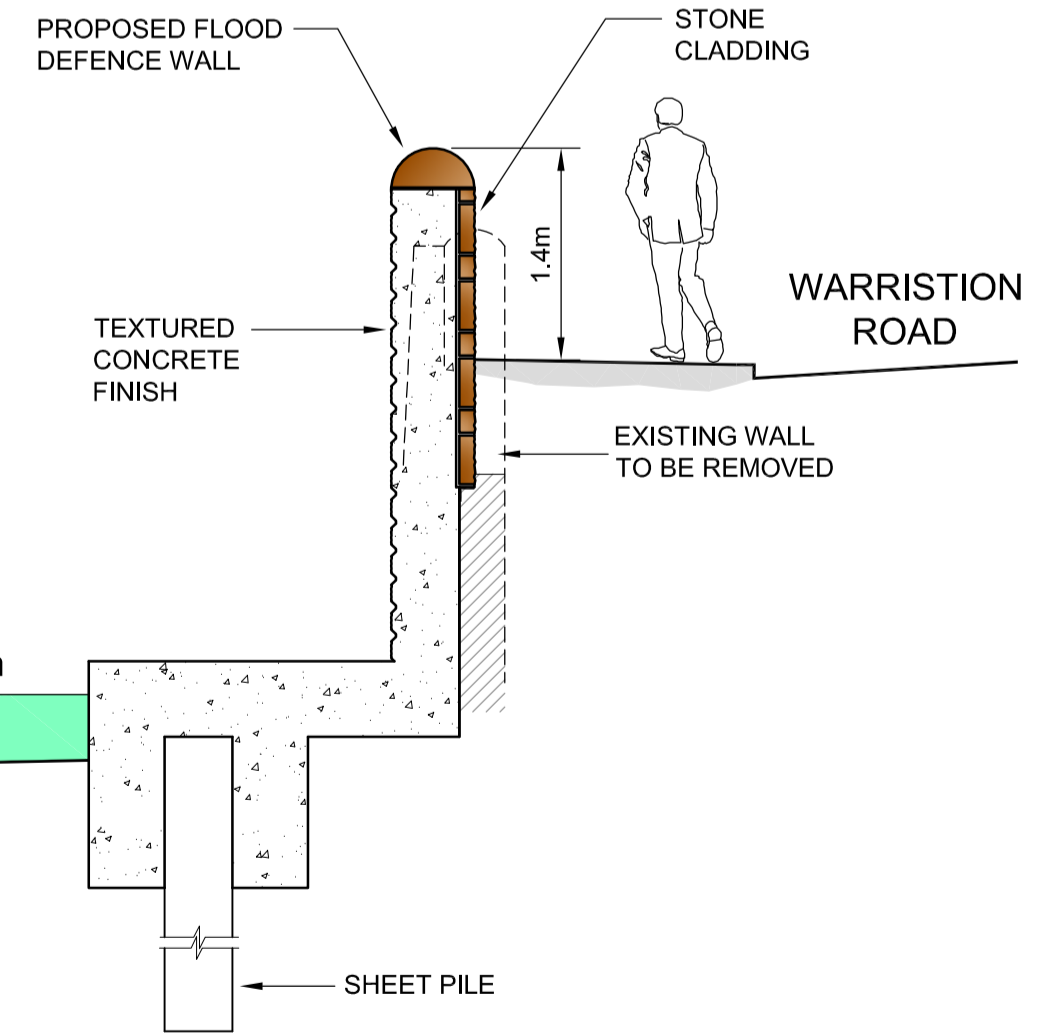
NEW FLOOD DEFENCE HEIGHT 1.4m ABOVE THE FOOTPATH

NEW FLOODWALL TIES INTO THE VIADUCT

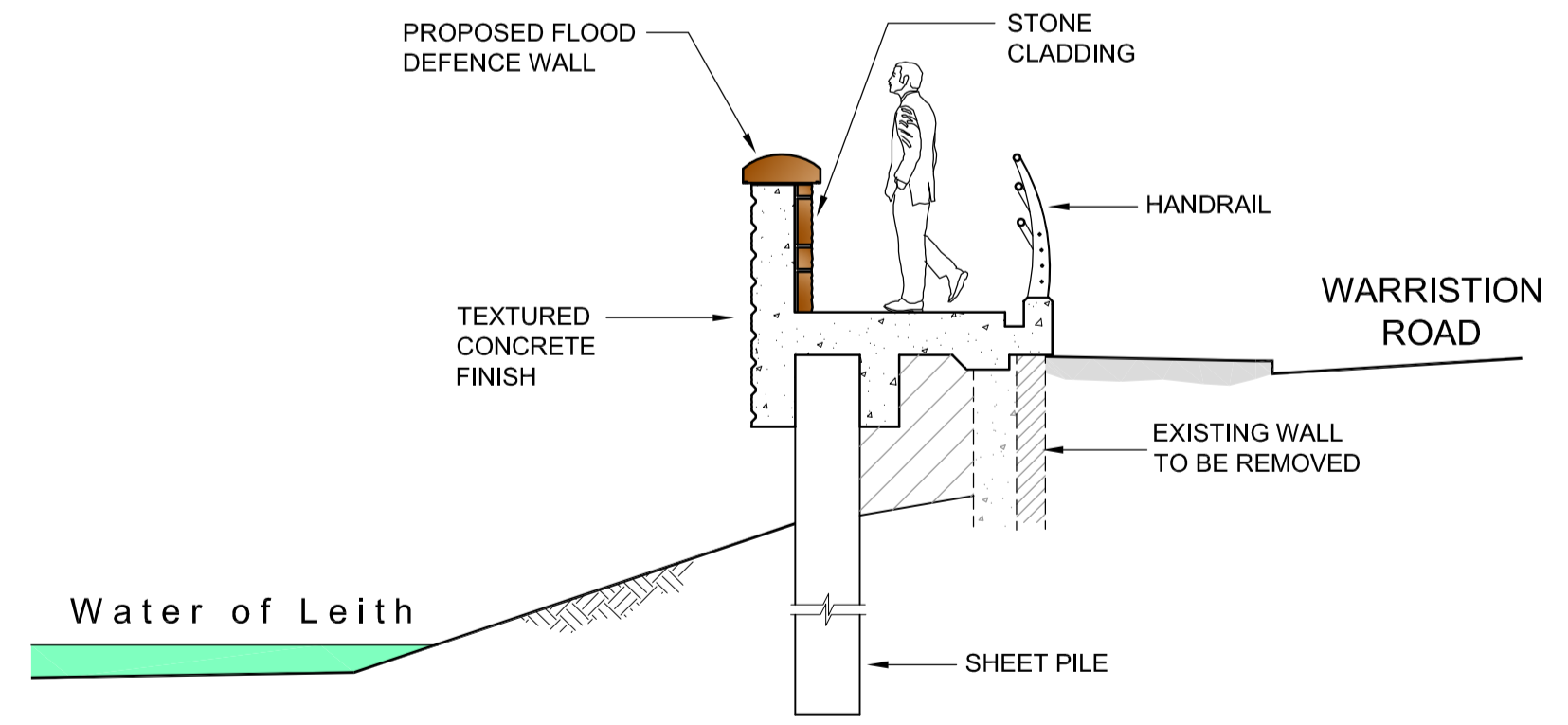
EXISTING RIVERWALL REMOVED AND NEW FLOODWALL BUILT ON THE SAME LINE. THE WALL HEIGHT ABOVE THE FOOTPATH VARIES FROM 1.1m TO 2.0m

NEW PUMPING STATION

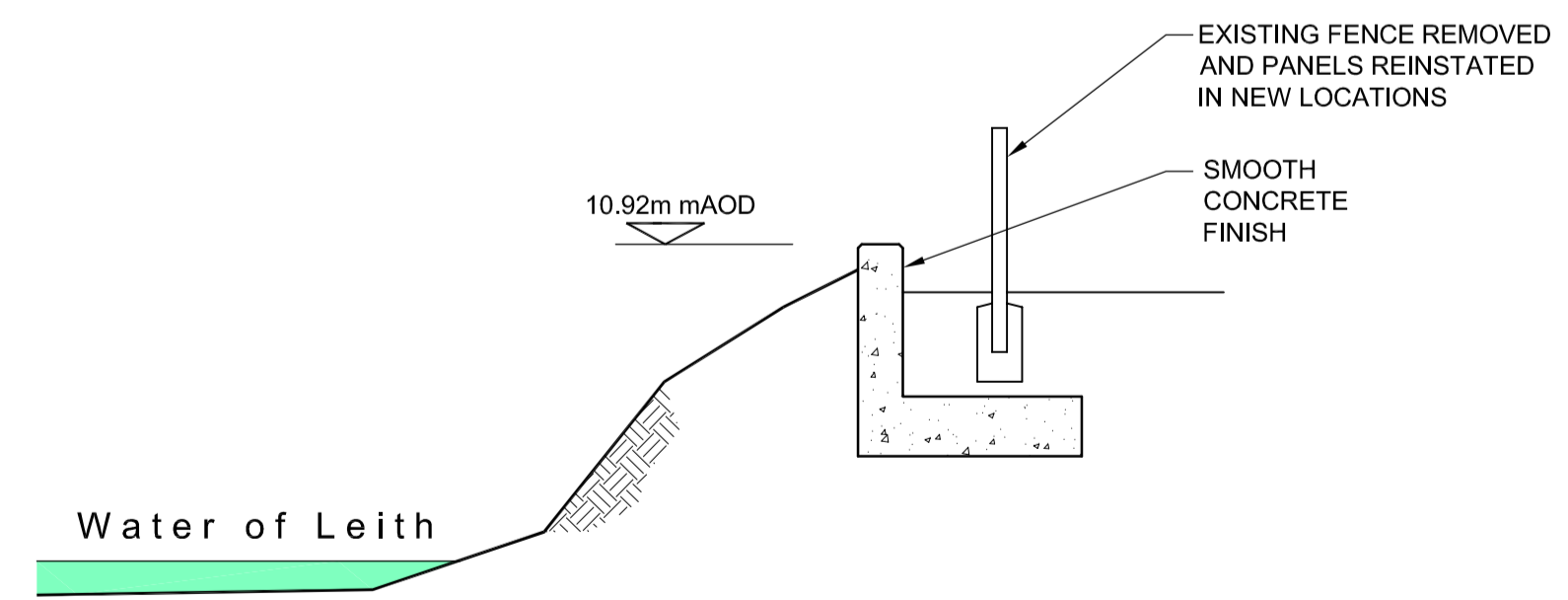
NEW PEDESTRIAN RAMP TO BRIDGE



SECTION A - A
THROUGH NEW FLOODWALL RUNNING PARALLEL TO WARRISTON ROAD



SECTION B - B
THROUGH NEW FLOODWALL RUNNING PARALLEL TO WARRISTON ROAD



SECTION C - C

Issue	Date	By	Chkd	Appd
A	24/03/11	BM	SR	GB

ARUP

5th Floor, 225 Bath Street,
Glasgow, G2 4GZ
Tel +44 (0)141 332 8534 Fax +44 (0)141 332 3739
www.arup.com

Client
EDINBURGH
THE CITY OF EDINBURGH COUNCIL

FLOOD PROTECTION

Job Title
WATER OF LEITH FLOOD PREVENTION SCHEME

Drawing Title
PROPOSED WORKS ST. MARK'S PARK - POWDERHALL

Scale at A1 Plan NTS, Sections 1:50

INFORMATION

Job No 69240	Drawing No B1	Issue A
-----------------	------------------	------------

B 1 St. Mark's Park - Powderhall