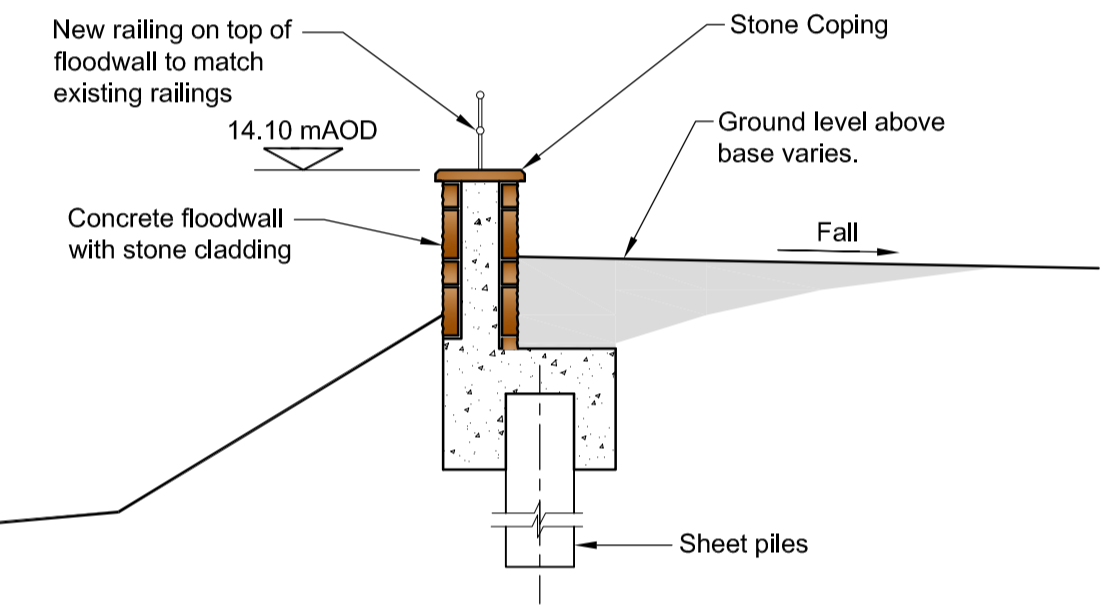


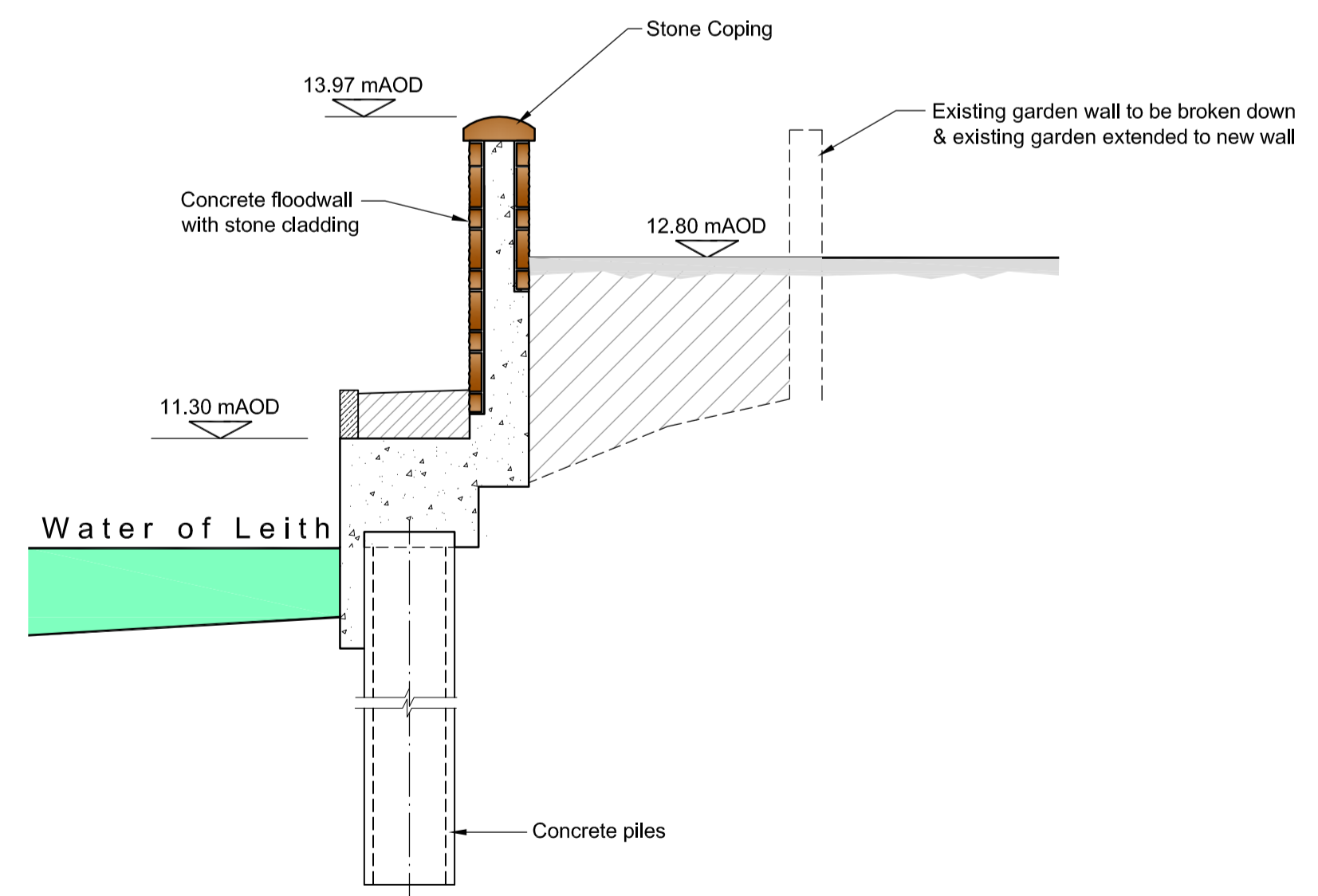
**NOTES**  
 1. ALL FLOOD DEFENCE ALIGNMENTS AND DETAILS SHOWN ARE INDICATIVE.

**KEY**

- NEW FLOOD DEFENCE WALL
- RAISED GROUND LEVEL
- mAOD - METRES ABOVE ORDINANCE DATUM



**SECTION A - A**



**SECTION B - B**

Issue	Date	By	Chkd	Appd
A	29/03/11	BM	SR	GB

**ARUP**  
 5th Floor, 225 Bath Street,  
 Glasgow, G2 4GZ  
 Tel: +44 (0)141 332 8534 Fax: +44 (0)141 332 3739  
 www.arup.com  
 Client: **EDINBURGH**  
 THE CITY OF EDINBURGH COUNCIL  
**FLOOD PROTECTION**

Job Title:  
**WATER OF LEITH  
 FLOOD PREVENTION SCHEME**

Drawing Title:  
**PROPOSED WORKS  
 THE STOCKBRIDGE COLONIES  
 SHEET 1 OF 2**

Scale at A1: Plan 1:500, Sections 1:50

**INFORMATION**

Job No: <b>69240</b>	Drawing No: <b>D1</b>	Issue: <b>A</b>
-------------------------	--------------------------	--------------------

**D 1**

# The Stockbridge Colonies