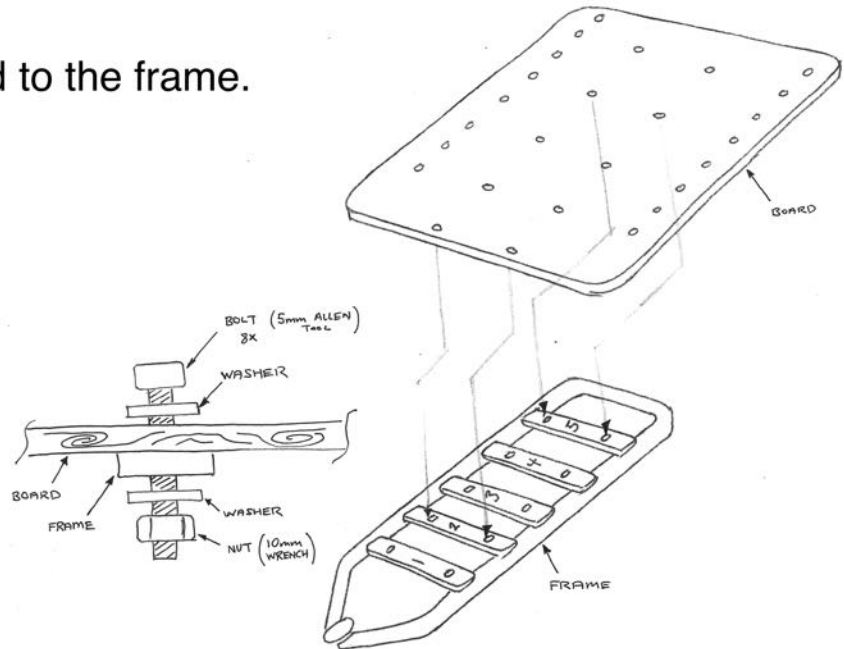
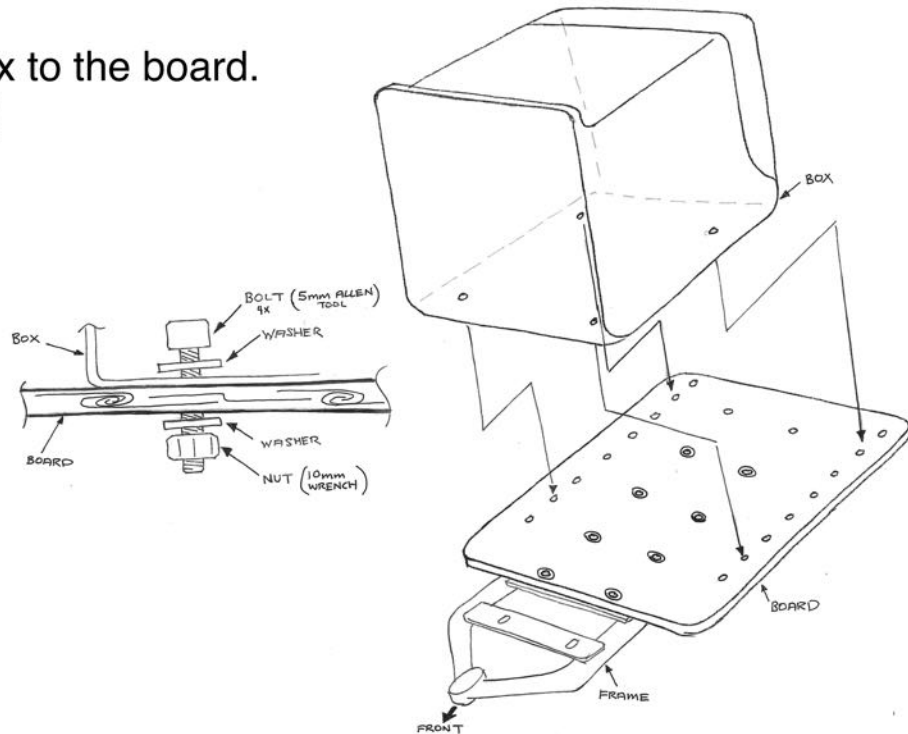


1. Remove the battery. Use the 5mm Allen tool.

2. Install the base board to the frame.
(8 x long screws)



3. Install delivery box to the board.
(4 x short screws)



4. Re-install the battery