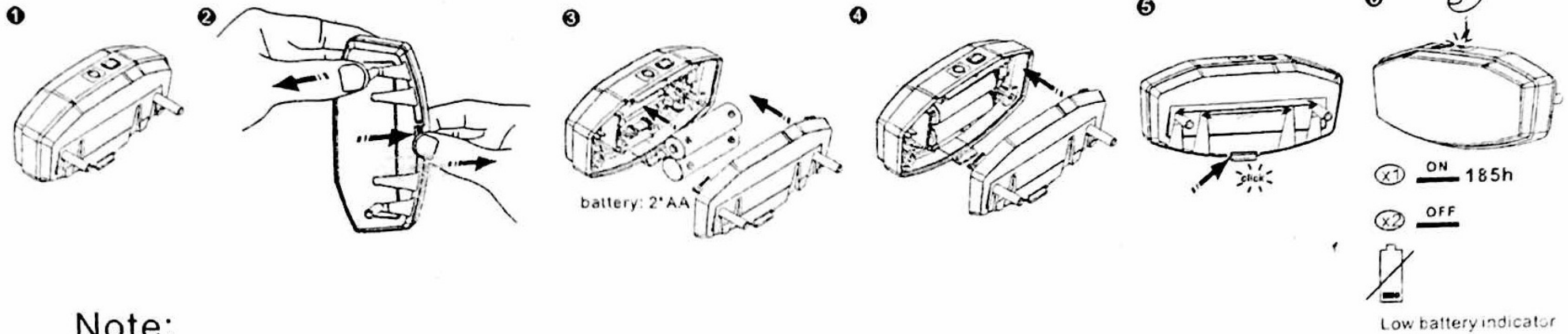


[4056040010]

RLL/Lineo XB



Note:

* Please make sure you have taken out the battery insulator before using the light!

* If the light is not on even after taking out the battery insulator, please open the light, and check there is no insulator remain.
