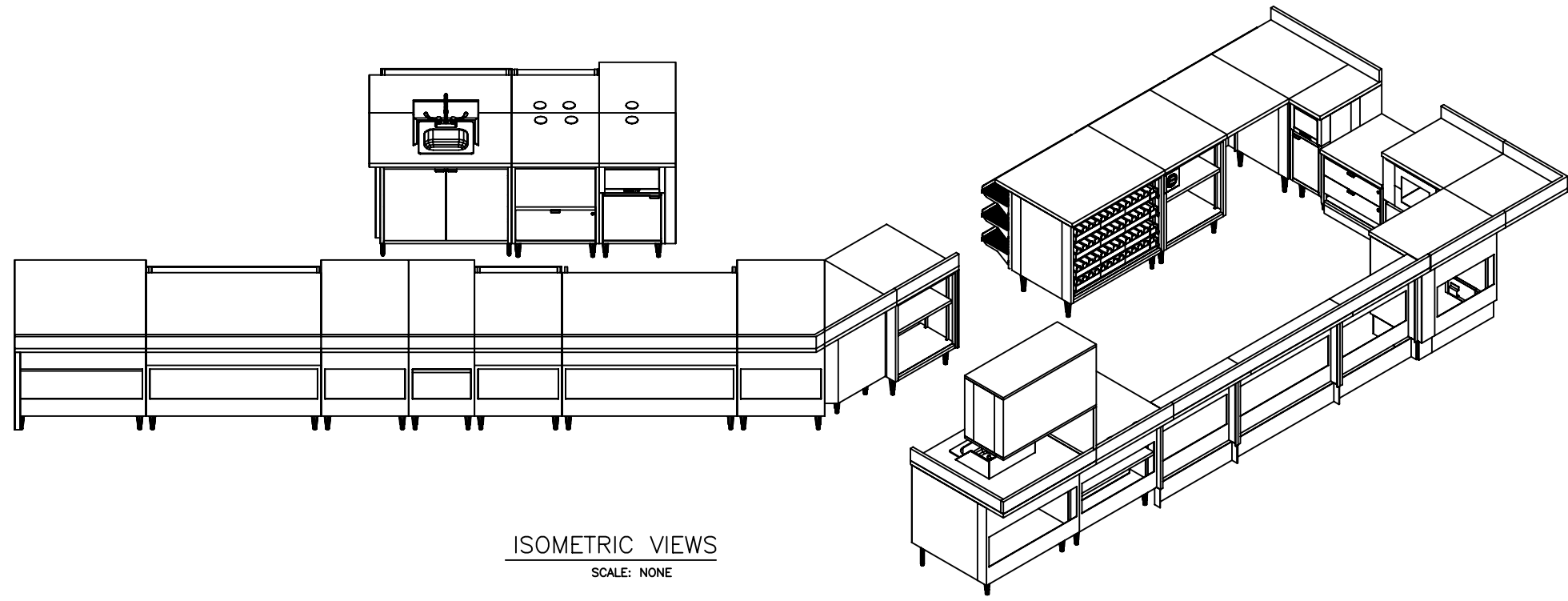
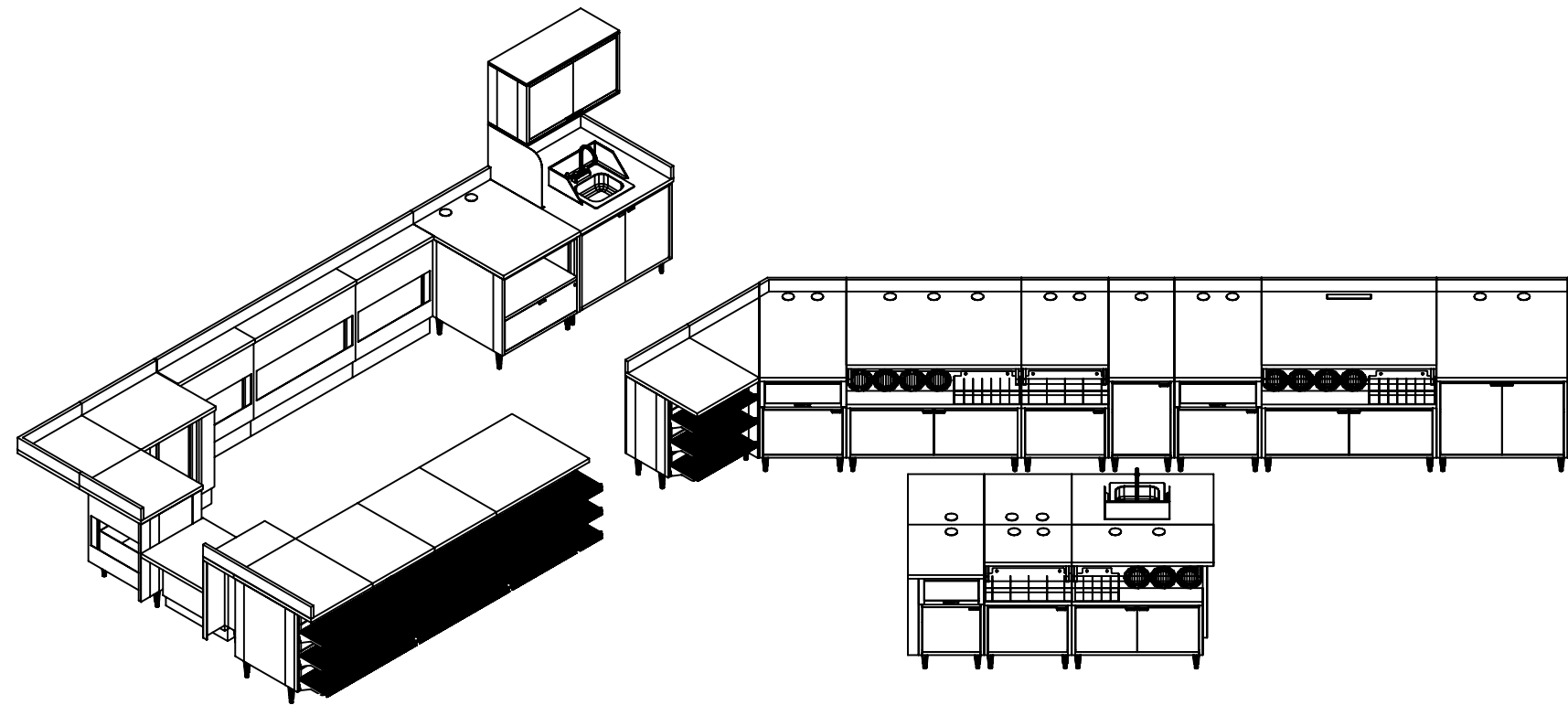


CHEVRON
2011 STD. PLAN

Revisions	
Drawn	LM
Date	11-3-08
Sheet	1 of 2
Drawing Number	9015804
Sheet Number	A1

PRODUCT FAMILY	LEGEND:	WIDTH	DEPTH	HEIGHT	CABINET STYLE/OPTIONS	BACK OPTIONS	FOUNDATION OPTIONS	TOP MATERIALS	TOP STYLE	DOOR STYLES	<small>Confidentiality Notice: This drawing is the property of Royston LLC. It is intended only for the use of those to whom it is directly distributed and contains information that is confidential and proprietary; not for reproduction unless authorized by Royston LLC. If you have received this drawing in error, its review, use, retention, and/or distribution is strictly prohibited.</small>
CS = BASIC CABINET CR = RADIUS CABINET CW = WEDGE AND CORNER CABINETS CM = CABINET MERCHANDISING CB = BEVERAGE CABINET	CI = ISLAND CABINET CIE = ISLAND END CABINET CIM = ISLAND END CABINET/MITERED CT = TOWERS CO = OVERHEAD CABINET	12" 18" 24" 36" 48" 60"	15" 23" 29"	25" 34"	ND = NO DOOR DR = DOOR SW = STRAIGHT WASTE TW = STRAIGHT WASTE (2) SIDES SF = SAFE BF = BACK FILLER DD = DOOR/DRAWER D# = 1,2,3,4 DRAWER MF = MERCHANDISER FRONT MD = MERCHANDISER FRONT/DOOR MW = MICROWAVE SK = SINK CI = CIGARETTE BW = BEVERAGE WASTE #C = 2,3,4,5,6 CUPS CD = CONDIMENT 3L = 3 CUPS (LEFT) CONDIMENT 3R = 3 CUPS (RIGHT) CONDIMENT AS = ADJUSTABLE SHELF PB = PULL-OUT BIN	OB = OPEN BACK CB = CLOSED BACK	B = BASE L = LEGS	L = LAMINATE P = POWDER COATED A = SOLID SURFACE S = STAINLESS STEEL	F = FLAT B = BACKSPASH P = PENETRATIONS N = NO PENETRATIONS	FD = FLUSH DESIGNER (STANDARD) TD = TRADITIONAL (VERTICAL HANDLE) OL = OVERLAY LOL = LAMINATE OVERLAY	



ISOMETRIC VIEWS
SCALE: NONE

PRODUCT FAMILY	WIDTH	DEPTH	HEIGHT	CABINET STYLE/OPTIONS	BACK OPTIONS	FOUNDATION OPTIONS	TOP MATERIALS	TOP STYLE	DOOR STYLES
LEGEND: CS = BASIC CABINET CR = RADIUS CABINET CW = WEDGE AND CORNER CABINETS CM = CABINET MERCHANDISING CB = BEVERAGE CABINET	12" 18" 24" 36" 48" 60"	15" 23" 29"	25" 34"	ND = NO DOOR DR = DOOR SW = STRAIGHT WASTE TW = STRAIGHT WASTE (2) SIDES SF = SAFE BF = BACK FILLER DD = DOOR/DRAWER D# = 1,2,3,4 DRAWER MF = MERCHANDISER FRONT MD = MERCHANDISER FRONT/DOOR MW = MICROWAVE SK = SINK CI = CIGARETTE BW = BEVERAGE WASTE #C = 2,3,4,5,6 CUPS CD = CONDIMENT 3L = 3 CUPS (LEFT) CONDIMENT 3R = 3 CUPS (RIGHT) CONDIMENT AS = ADJUSTABLE SHELF PB = PULL-OUT BIN	OB = OPEN BACK CB = CLOSED BACK	B = BASE L = LEGS	L = LAMINATE P = POWDER COATED A = SOLID SURFACE S = STAINLESS STEEL	F = FLAT B = BACKSPASH P = PENETRATIONS N = NO PENETRATIONS	FD = FLUSH DESIGNER (STANDARD) TD = TRADITIONAL (VERTICAL HANDLE) OL = OVERLAY LOL = LAMINATE OVERLAY

Confidentiality Notice: This drawing is the property of Royston LLC. It is intended only for the use of those to whom it is directly distributed and contains information that is confidential and proprietary; not for reproduction unless authorized by Royston LLC. If you have received this drawing in error, its review, use, retention, and/or distribution is strictly prohibited.