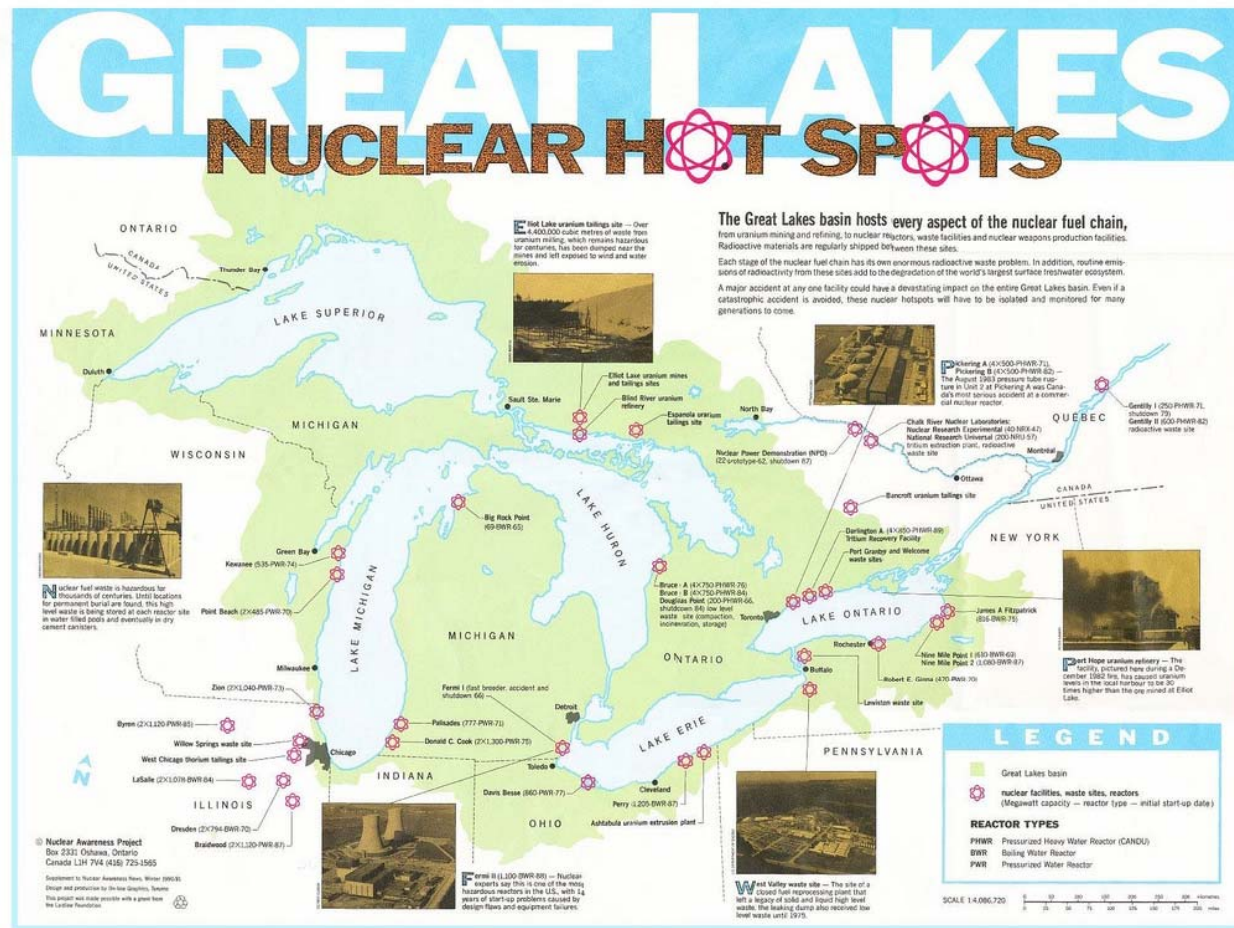


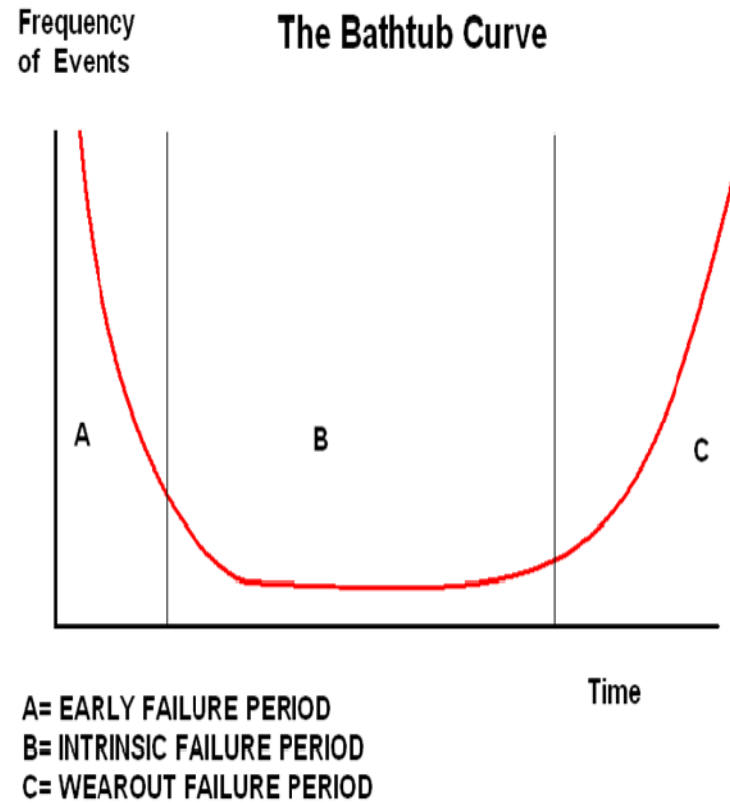
Radioactive Bull's Eyes on the  
Great Lakes:  
*Focus on Davis-Besse  
Atomic Reactor*

Kevin Kamps  
Beyond Nuclear  
May 14, 2011

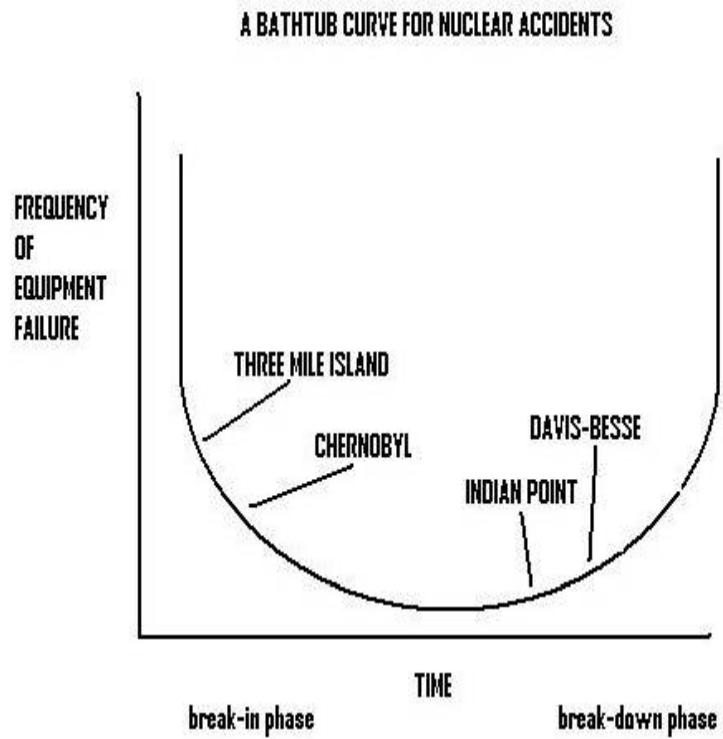
# Radioactive bull's eyes on the Great Lakes shorelines



# Bathtub curve of accident risks



# Reactor Risks



# Davis-Besse



# 50 mile EPZ



# Davis-Besse



Red Rusty Boric Acid Deposits on Vessel Flange (12RFO)

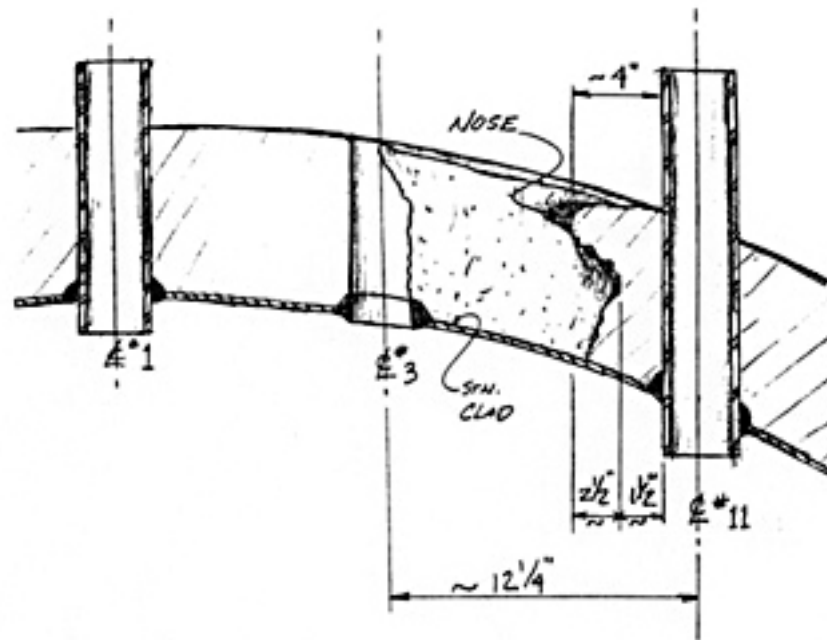
- TMI precursor incident, 1977
- Loss of coolant to core, 1985
- Direct hit by tornado, 1998
- Hole in the head fiasco, 2002
- Chernobyl 20<sup>th</sup> anniversary conference, Kiev, Ukraine

# Tornado

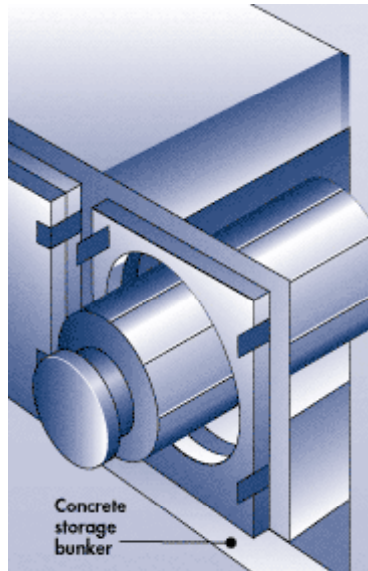




# Hole-in-the-head



# Davis-Besse: dry cask storage



# License Extension?

## Radioactive Russian Roulette!

- August 2010 application
- October 2010 NRC Federal Register Notice
- December 27, 2010 intervention deadline

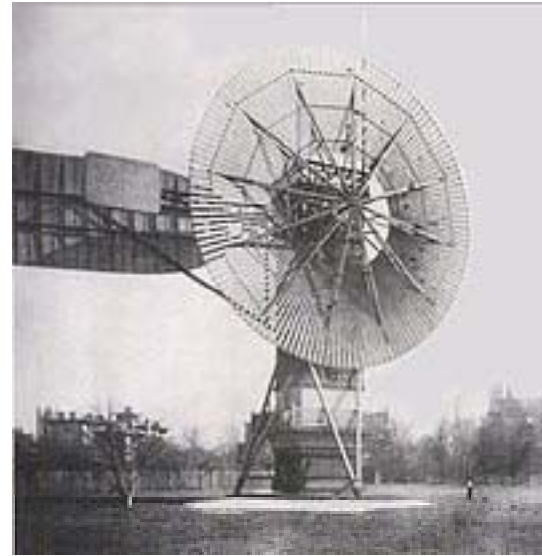
Joint Petitioners:

(Beyond Nuclear, Citizens Environment Alliance of Southwestern Ontario, Don't Waste Michigan, Green Party of Ohio)

Contentions:

1. Wind
2. Solar PV
3. Wind + Solar PV
4. SAMAs

# Wind

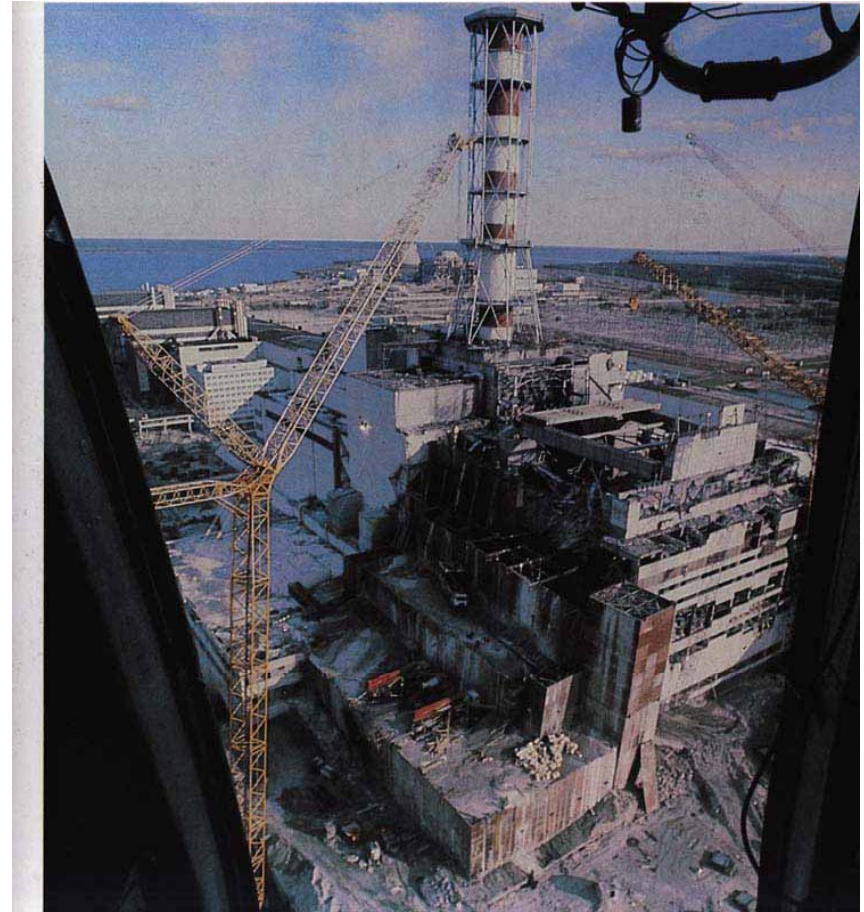


# Solar PV

- D-B +
- Norton compressed air energy storage +
- Commercial rooftops in urban n. OH = 908MWe



# SAMAs



# SAMAs



# Update

- ASLB: April 26<sup>th</sup> order
- May 6 FENOC appeal to NRC
- May 16 environmental coalition rebuttal against FENOC appeal
- May 19<sup>th</sup> teleconference
- Mid- to late-2012 hearings
- DSEIS to come
- DSER to come