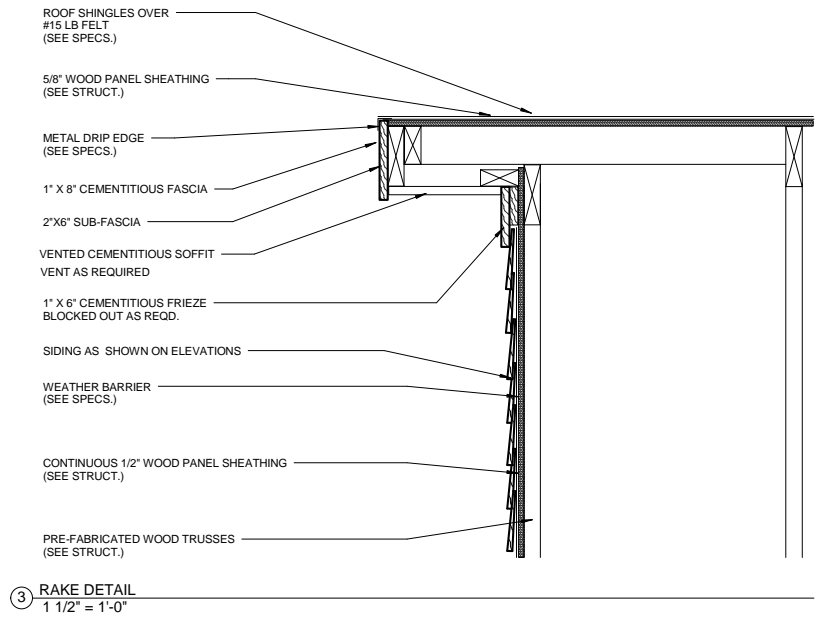
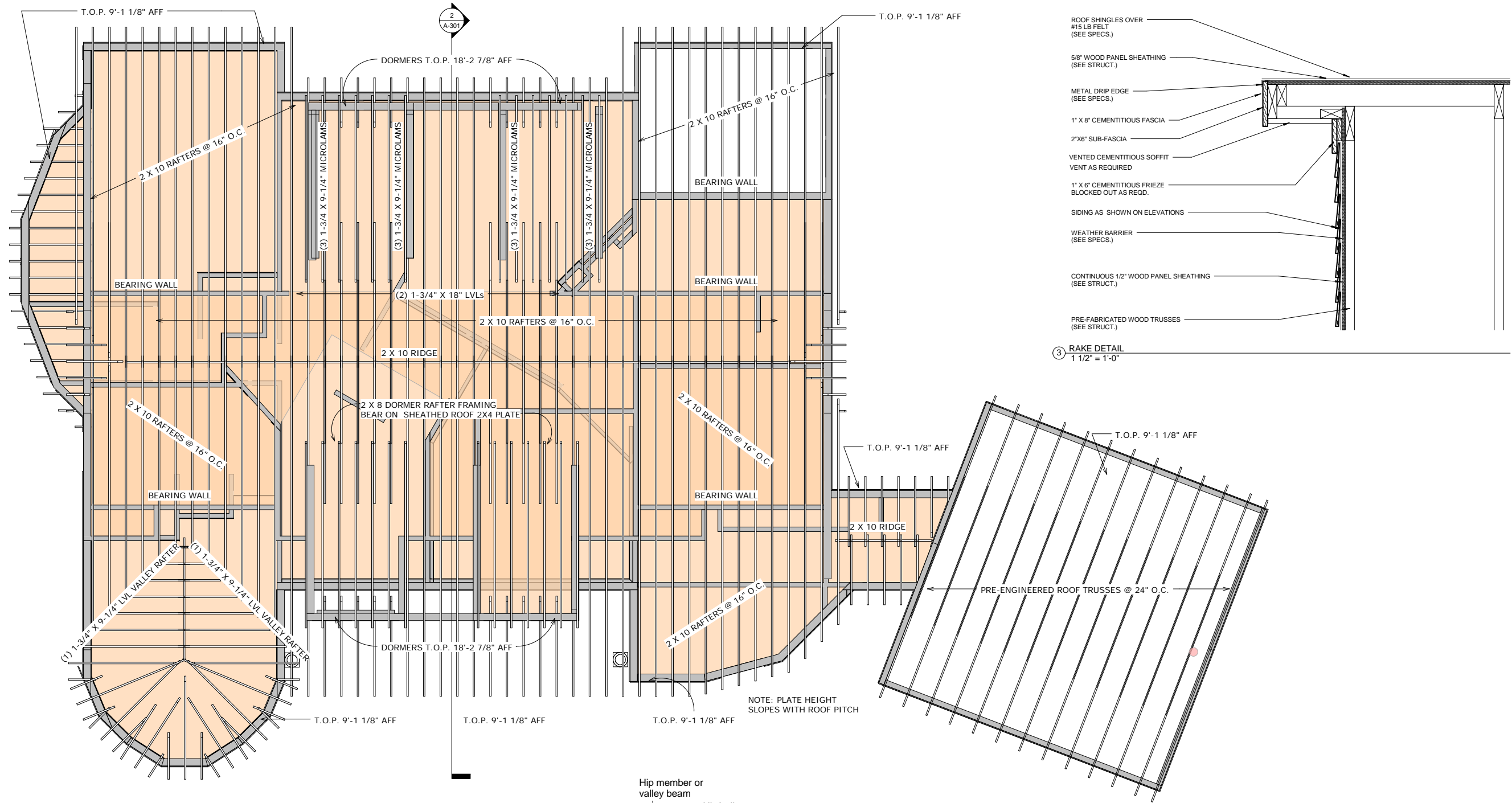
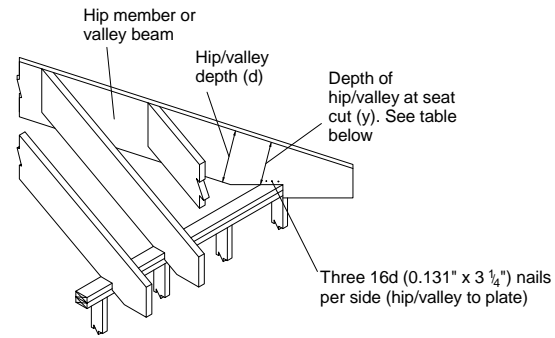


THESE DRAWINGS CAN NOT BE USED, COPIED, TRACED OR REPRODUCED, IN WHOLE OR PART OR MANNER WHAT SO EVER WITHOUT PERMISSION FROM BRIAN J. PILLING, AIA



NOTE: PLATE HEIGHT SLOPES WITH ROOF PITCH



Minimum Percentage of Original Hip/Valley Depth Required		
Member Type	TimberStrand® LSL	Microlam® LVL
Hip Member	30%	50%
Valley Beam	60%	90%

Calculate percentage as y/d x 100

2 HIP SEAT CUT
3/8" = 1'-0"

BRIAN J. PILLING, ARCHITECT & INTELLIGENTHOUSEPLANS.COM DO NOT ASSUME RESPONSIBILITY FOR ANY HOME BUILT FROM THESE PLAN DOCUMENTS. IT IS THE RESPONSIBILITY OF THE PURCHASER TO CONFIRM & REVISE ALL PLANS AND DETAILS TO CONFORM TO ALL APPLICABLE LOCAL & STATE CODES, ORDINANCES, AND REGULATIONS. THE PURCHASER SHALL HIRE A LOCAL LICENSED PROFESSIONAL ENGINEER OR ARCHITECT TO ADAPT THESE PLANS TO LOCAL SITE CONDITIONS.



BRIAN J. PILLING, AIA
736 RIDGE POINT DRIVE
COROLLA, NC 27927
PHONE 252-202-7550
obxarchitect@gmail.com
www.intelligenthouseplans.com

LOCAL PROFESSIONAL'S SEAL

THE TRURO
ROOF/CEILING FRAMING PLANS

EVERY ATTEMPT HAS BEEN MADE IN THE PREPARATION OF THESE DRAWINGS TO AVOID MISTAKES. THE DESIGNER, OR ANYONE ASSOCIATED WITH THE DESIGNER, WILL NOT BE HELD LIABLE FOR ANY ERRORS OR OMISSIONS IN THESE DRAWINGS.

REVISIONS	
NO.	DATE/DESCRIPTION

DATE
PLAN NUMBER

SHEET NUMBER

F-104