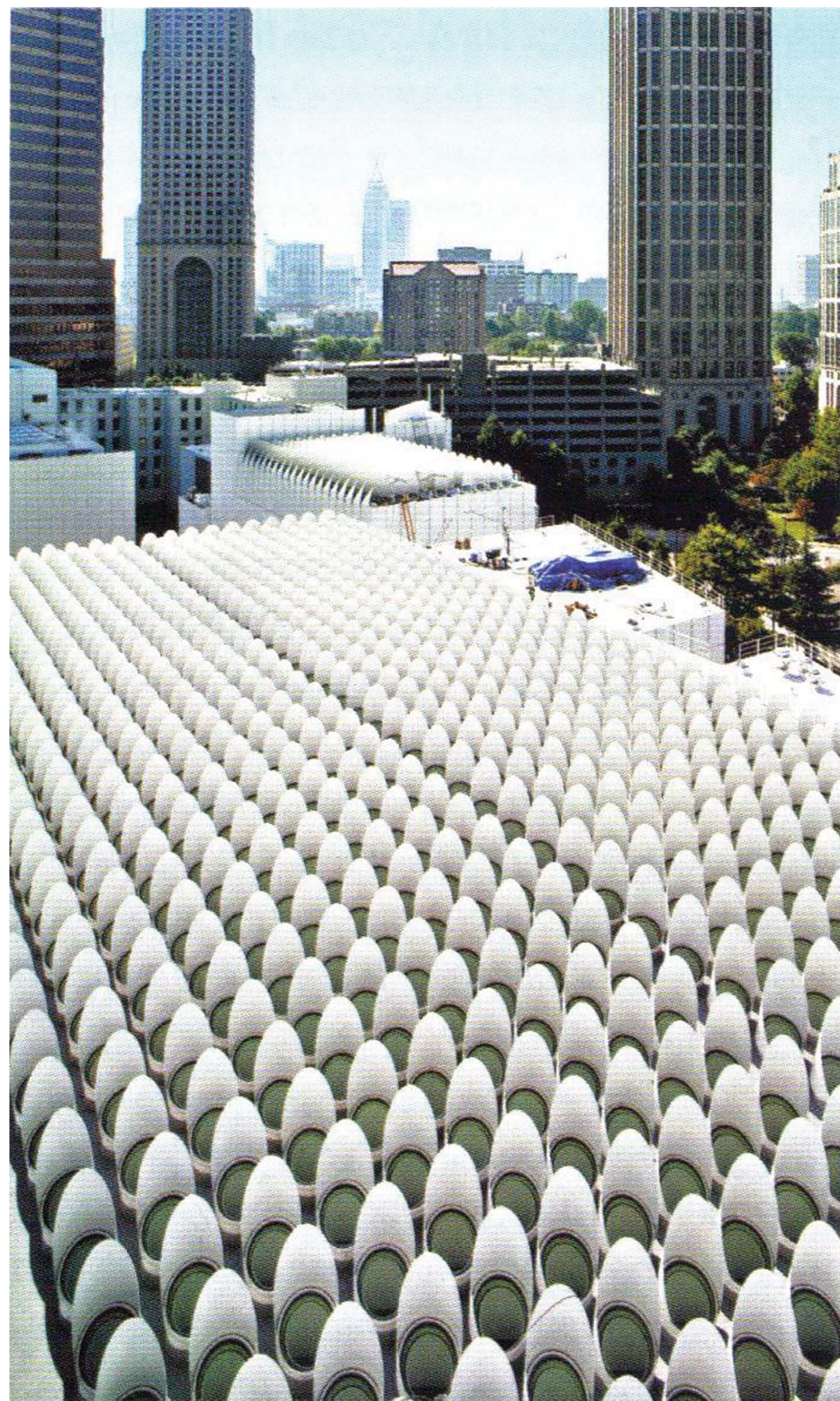


High Museum of Art: Atlanta

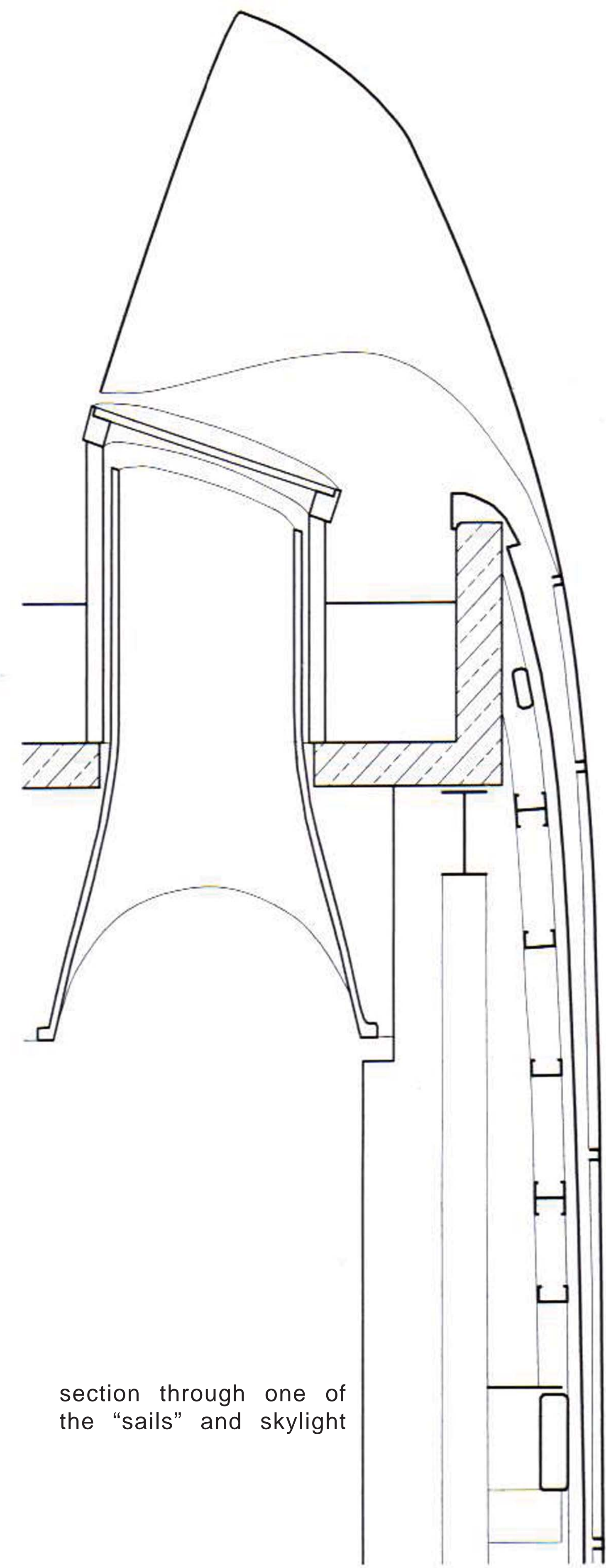
Renzo Piano Building Workshop



airial view of the 1000 skylights atop the High Museum of Art



entrance to the addition of the High Museum with the rooftop "sails"



section through one of the "sails" and skylight



interior of a top floor gallery naturally lit by 1,000 skylights

- the original High Museum of Art in Atlanta was designed by Richard Meier, this addition was designed by the Renzo Piano Building Workshop, and built in 2005

- rooftop "sails" funnel soft northern light into the galleries through cone shaped openings

- each mini-skylight twists slightly to focus the light and diffuse it through the top floor galleries housing the museums permanent collection

