

CHEVRON 3X3 CLAMSHELL  
INSTRUCTION SHEET

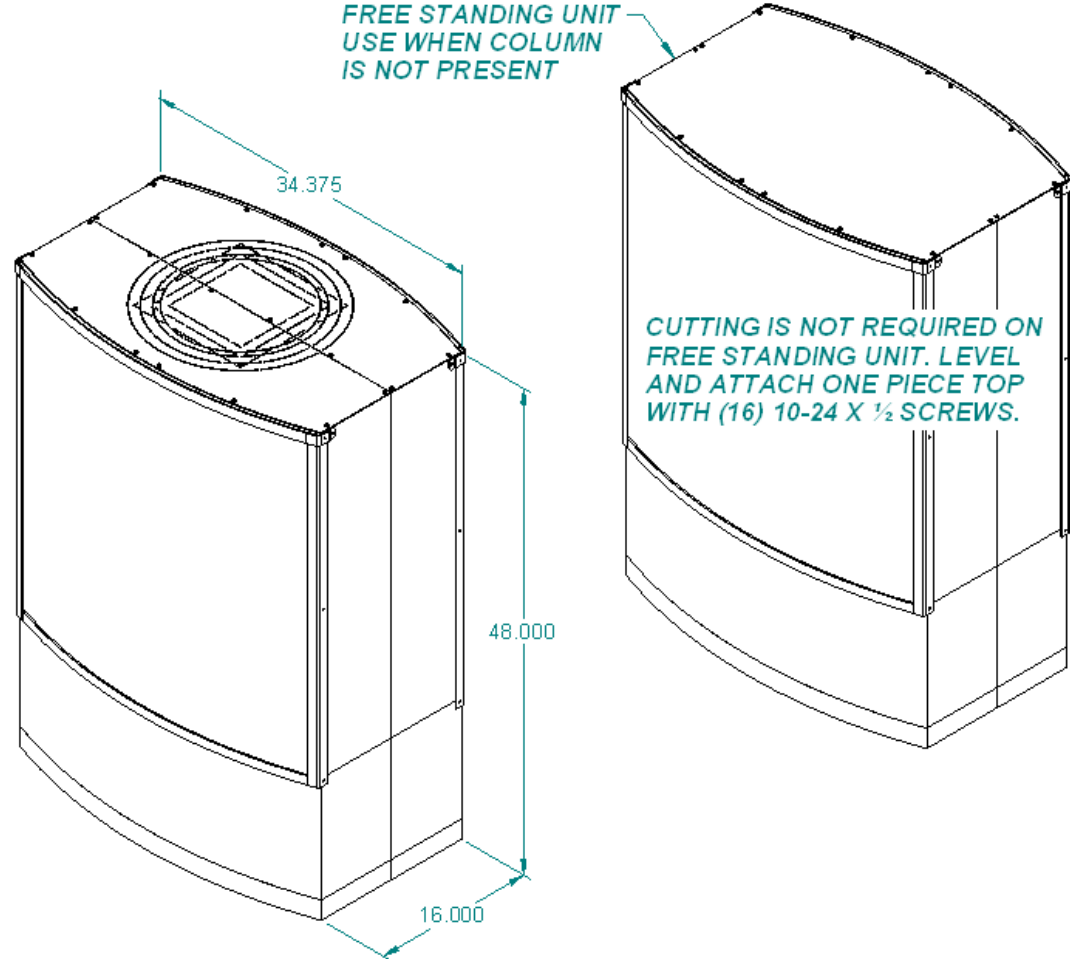
Tools Needed for Installation: Drill, 1/4" masonry bit, Phillips head & Straight blade screwdriver, Adjustable wrench and or 7/16" socket wrench or driver to fit drill, Level, Reciprocating saw with fine tooth blade, Power drill, Hammer

Instructions:

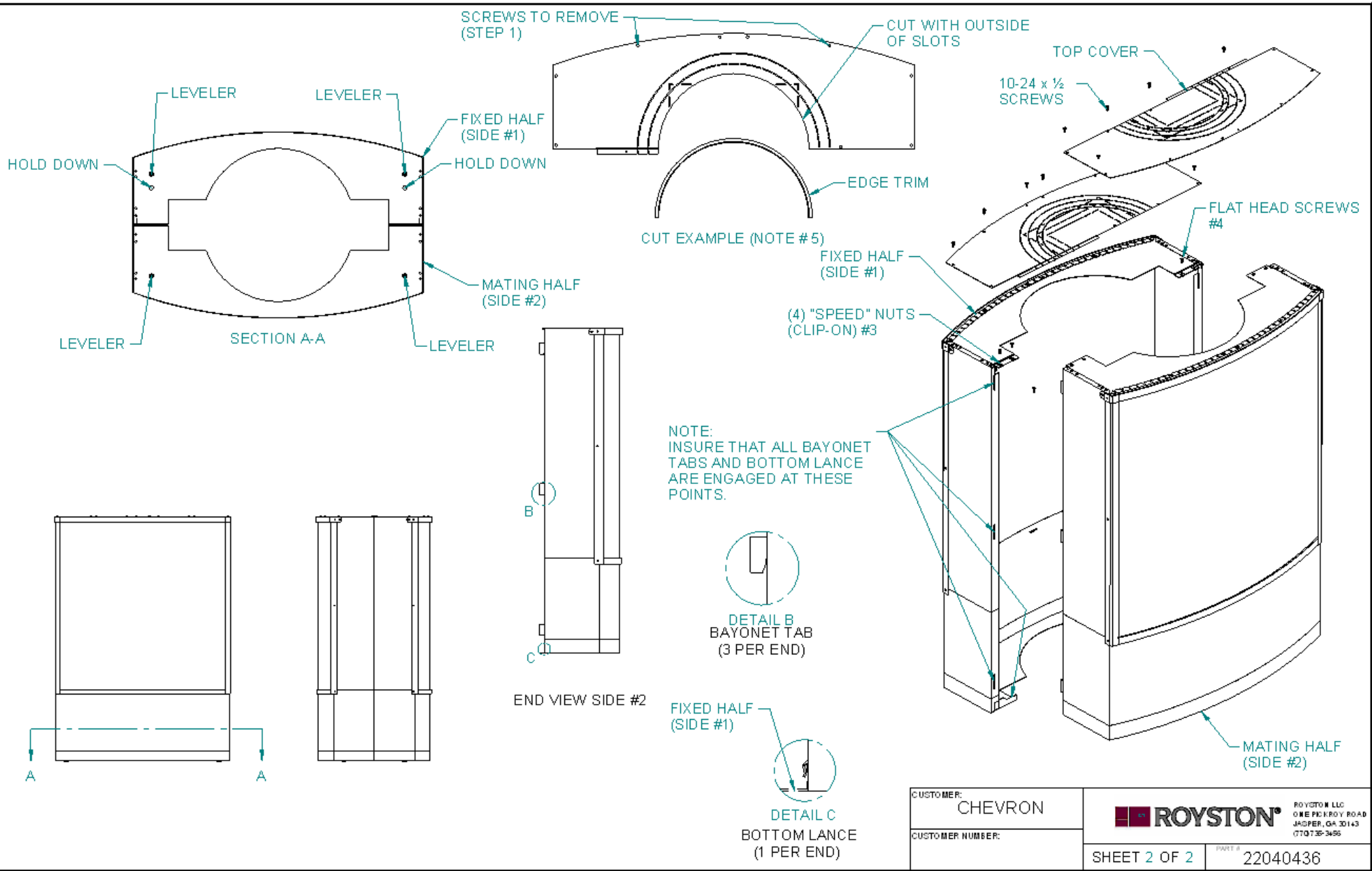
- Using a Phillips head screwdriver remove (2) 10-24 x 1/2" screws located on each top cover and set aside for later use.
- Remove the two piece cover and set aside.
- Remove the 4 flat head screws (#4) (2 on each side) that attach the two halves and set aside.
- Lift upward and outward on the side of the unit indicated as #2 in drawing provided. This will separate the two halves for installing. When separating the two halves, make sure the 4 speed nuts (#3) remain intact on the stationary unit (side #1)
- Obtain the two-piece top that was attached to the fixed half and determine the size of your column using the appropriate slot pattern as a guide. Use a reciprocating saw to cut to fit around the column. Be sure to cut flush with outer edge of slot. (Scribing may be required for the corners of square columns)
- Add edge trim to the perimeter of the cut out. (60" supplied)
- Once cut to size, place the top cover onto fixed side #1 and reattach with (8) 10-24 x 1/2" screws (2) of the (8) was removed in step 1.
- On the bottom of each side, locate the four leveling screws.
- Loosen each leveler by turning them counter clockwise so the leveling feet extend at least 1" out the bottom.
- Place the side indicated as #1 in the drawing provided in place against the column, level & check fit of cut around column, and mark or spot drill the hold down fastener locations thru the two holes provided in the base.
- Move the side out of the way for next steps.
- If using the fasteners (wedge anchors) provided, drill a 1/4" diameter hole to the depth of 2 1/2" deep at each of the two locations that were marked in step 10
- Move the side back into place aligning the holes created in step 12
- Level this side of the unit and install the two 1/2" masonry screws provided. Insert masonry screw thru base gusset and tap into hole until nut and washer bottoms out on gusset. Securely tighten unit to curb.
- Remove top cover again. This will allow the two halves to be connected.
- Place side 2 next to the column leveling it at approximately the same height as side one which has already been attached to the ground with the fasteners.
- Move side 2 back a few inches, lift upward, aligning the latches. Once aligned, press in and downward locking the clips into place to keep the two halves together.
- Set level on top of unit and use wrench to adjust levelers to uniform height
- Reattach the four flat head screws (2 on each side) that were removed in step 3.
- Obtain the two-piece top that was attached to the mating half using the same slot pattern used in step 5 as a guide and using a reciprocating saw cut to fit around column.
- Add edge trim to the perimeter of the cut out.
- Once cut to size, place the top piece into place and reattach with (10) 10-24 x 1/2" screws (2) of the (10) was removed in step 1.

**Warranty** We guarantee that all materials and workmanship shall be of the quality specified and shown in our technical data. Any defects in workmanship or material made known to us within one (1) year from the date of shipment will be repaired or replaced without expense to the owner, provided the owner immediately notifies us when any defect is found. If a field repair is needed, we will make the arrangements and issue a purchase order to perform the work. If a replacement is in order, we will authorize it and arrange for delivery. Any additional damage caused by the owner neglect to give us immediate notice of the original defect shall be the sole responsibility of the owner. This limited warranty is void if our products have not been installed or maintained in accordance with any written instructions provided, or if the products have been damaged by neglect.

FREE STANDING UNIT  
USE WHEN COLUMN  
IS NOT PRESENT



These designs are proprietary information, property of ROYSTON LLC. They shall not be copied or duplicated in any manner without prior written consent.	CUSTOMER: <b>CHEVRON</b>		CUSTOMER NUMBER:		<b>ROYSTON</b> ROYSTON LLC ONE PICKROY ROAD JASPER, GA 30143 (770) 35-3455
	Tolerance Unless Otherwise Noted XXX = ± .015 XXX = ± .030 Angles = ± 1° Hole Dia. = ± .003				
SHEET 1 OF 2			DATE: 8/28/2006		REF: #
DRAWN BY: Jeremy Dobson			DATE: 8/28/2006		PART # 22040436



CUSTOMER:	CHEVRON	 ROYSTON LLC ONE PEKIKROY ROAD JASPER, GA 30143 (770) 35-3455
CUSTOMER NUMBER:		
SHEET 2 OF 2		PART # 22040436 PRINTED 1/16/2009