

**CHEVRON VALET  
INSTRUCTION SHEET**

**Tools Needed for Installation:** Drill, 1/4" masonry bit, 7/16" socket or driver, straight blade screw driver, level and hammer

**Instructions:**

1. Locate valet keys in plastic bag inside waste can.
2. Remove keys, unlock and open the front door.
3. Remove the waste can.
4. Place valet at recommended distance from dispenser.
5. Indicate placement marks on ground referencing a corner of the valet, with the door open, spot drill or mark the hold down fastener locations thru the hole adjacent to base leveler.
6. Move valet to the side to continue next steps.
7. If using the wedge anchors provided, drill a 1/4" diameter hole to a minimum depth of 2 1/4" deep at each of the four locations.
8. Place valet back into position on the placement marks created in step 5.
9. Level the valet and install the four (4) wedge anchors (provided in hardware packet), using a hammer, tap the wedge anchors into the concrete until the nut and washer bottom out on the base leveler gusset and tighten.
10. Remove water buckets (2), squeegees (2), metal racks (2) and paper towels located inside waste can.
11. Attach water buckets to both sides of valet.
12. If bucket(s) can be removed from outside, check for full engagement of the anti-theft latch located inside the valet. Should this feature not be required, fully disengage latch (full up position) and bend notched corner inward to block latch from fully closing.
13. Slide waste can into place.
14. Close door and lock with key.
15. Insert metal rack into water buckets with the lowest end of the rack positioned on the right.
16. Place squeegee's into water buckets (handles should lean downward to the right and away from the waste opening).

**LOADING THE PAPER TOWES - 2 Options Provided**

**Option (1) Outside Side Door**

17. Open side door with key to load paper towels.
18. Remove the center cardboard insert in the paper towels.
19. Pull paper towel from center, place in dispenser while feeding towel through the nozzle.
20. Pull paper towel downward from front to feed completely through nozzle.
21. Close side door and lock with key.

**Option (2) Inside Door** (For sites where the placement of valet is space restricted).

22. Reach inside through the trash opening with key in hand and unlock the panel inside.
23. The panel will drop down and cover the trash chute opening.
24. Remove the center cardboard insert in the paper towels.
25. Pull paper towel from center, place on the panel inside and feed the towel down through the nozzle.
26. Place towel in dispenser while pulling towel downward from the front to feed completely through nozzle.
27. Close the panel and lock with key.

**Trash Bag Size:** 36 Gallon Bag

**Towel Reorder Information:** CCP Sales, 1-866-786-9357 (phone) or ccp-sales.com, Item # CCP 717 or GP28125

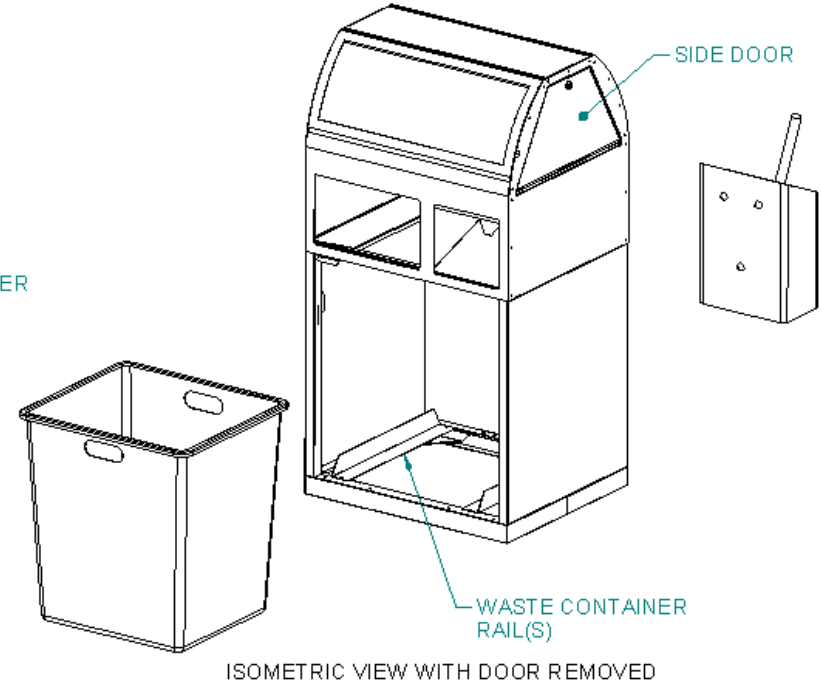
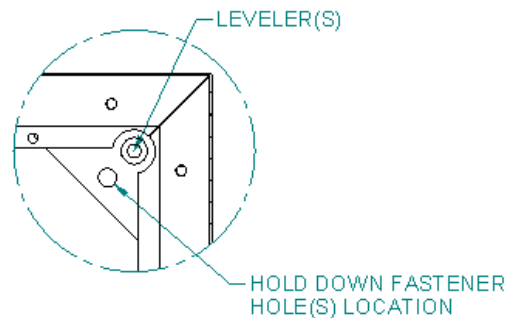
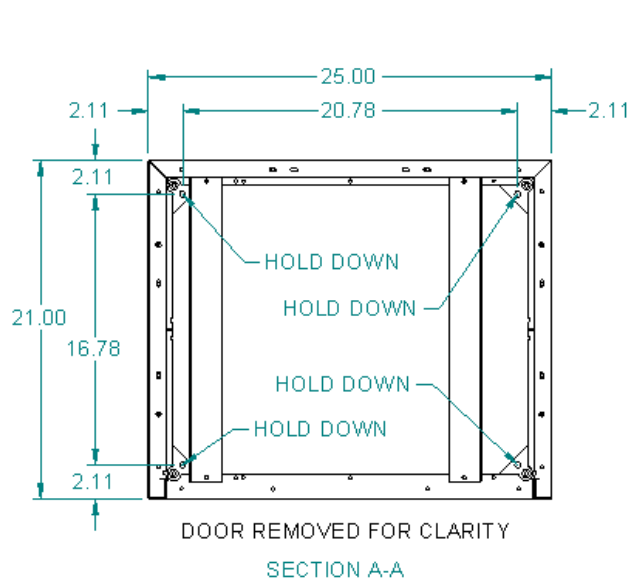
**Warranty** – We guarantee that all materials and workmanship shall be of the quality specified and shown in our technical data. Any defects in workmanship or material made known to us within one (1) year from the date of shipment will be repaired or replaced without expense to the owner, provided the owner immediately notifies us when any defect is found. If a field repair is needed, we will make the arrangements and issue a purchase order to perform the work. If a replacement is in order, we will authorize it and arrange for delivery. Any additional damage caused by the owner's neglect to give us immediate notice of the original defect shall be the sole responsibility of the owner. This limited warranty is void if our products have not been installed or maintained in accordance with any written instructions provided, or if the products have been damaged by neglect.

If you need to order replacement parts for the valet, please contact Royston Customer Service at 1-800-334-1766 or e-mail us at [Jascsfax@roystonllc.com](mailto:Jascsfax@roystonllc.com).



One Pickroy Road, Jasper, GA 30143  
Phone (800) 334-1766  
Fax (770) 735-2771  
[Jascsfax@roystonllc.com](mailto:Jascsfax@roystonllc.com)

These designs are proprietary information, property of ROYSTON LLC. They shall not be copied or duplicated in any manner without prior written consent.	CUSTOMER:		CUSTOMER NUMBER:				ROYSTON LLC ONE PICKROY ROAD JASPER, GA 30143 (770) 735-2455
	CHEVRON				PART DESCRIPTION ISHT,INTL,VL,CHV		
					Tolerance Unless Otherwise Noted XXX = ± .015 XXX = ± .030 Angles = ± 1° Hole Dia. = ± .003		DATE: 8/28/2006
					SHEET 1 OF 2		DRAWN BY: Jim. Bowersox PART #: 22038426
	01 REVISED ANCHOR BOLTS		JB	10-24-06			



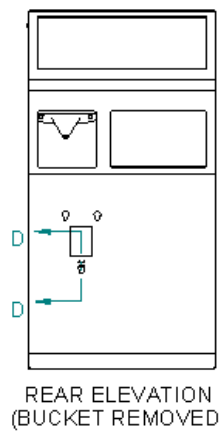
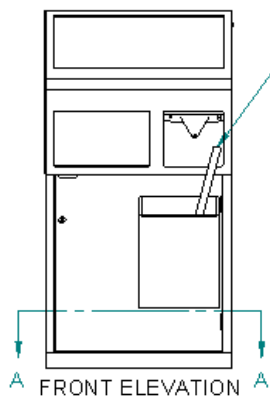
FULL ENGAGE  
TAB PROTRUDES  
FACE SLIGHTLY

NOTE HANDLE POSITION

D-D

LIFT TO  
RELEASE BUCKET

ANTI-THEFT  
LATCH



CUSTOMER:  
CHEVRON

CUSTOMER NUMBER:

**ROYSTON**

ROYSTON LLC  
ONE PINEKROY ROAD  
JASPER, GA 30143  
(770) 35-3455

SHEET 2 OF 2

PART # 22038426