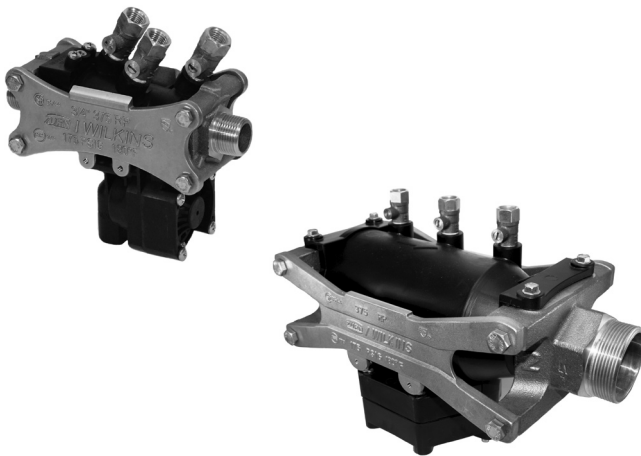


# SPECIFICATION SUBMITTAL SHEET



### APPLICATION

Designed for installation on potable water lines to protect against both backsiphonage and backpressure of contaminated water into the potable water supply. Assembly shall provide protection where a potential health hazard exists. (High Hazard)

### STANDARDS COMPLIANCE

- SAI Global Watermark



WATERMARK  
AS/NZS 2845.1  
LIC. 1379



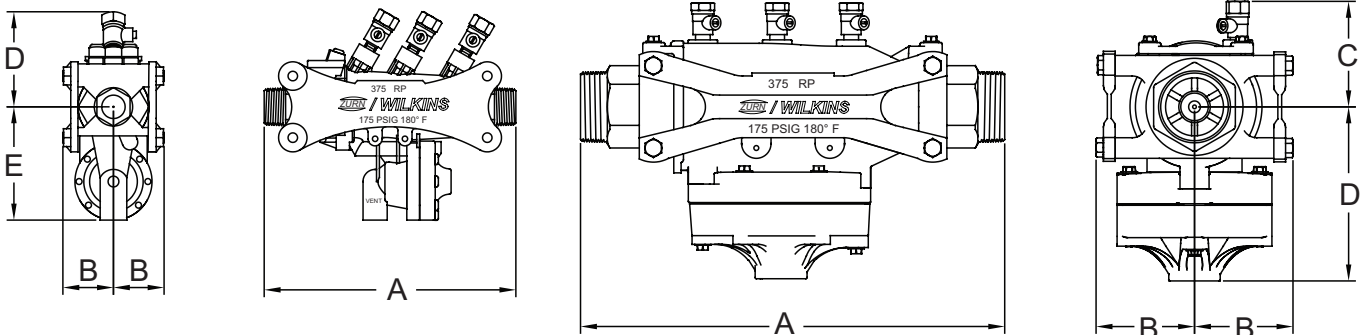
TYPE TESTED  
AS/NZS 4020  
LIC. 20111

### MATERIALS

Housing	Reinforced Nylon, FDA approved
Fasteners	Stainless Steel, 300 Series
Elastomers	Silicone (FDA Approved) Buna Nitrile (FDA Approved)
Internals	Delrin, Nylon, NSF Listed
Springs	Stainless steel, 300 series
Ball Valves	Cast Bronze, ASTM B 584
Struts	Forged Brass, ASTM B 124

### FEATURES

DN: □ 20 □ 25 □ 32 □ 40 □ 50	
Maximum working water pressure	1200kPa
Maximum working water temperature	82°C
Hydrostatic test pressure	2400kPa
End connections Threaded	BSPTM

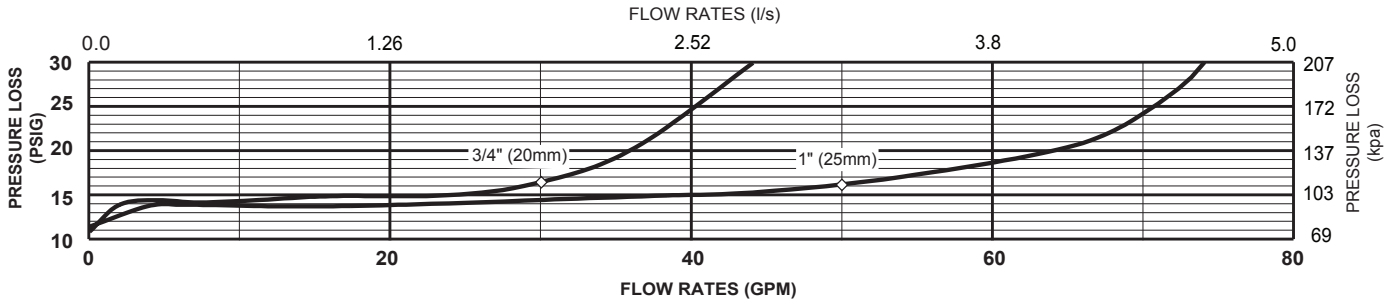


### DIMENSIONS & WEIGHTS (do not include pkg.)

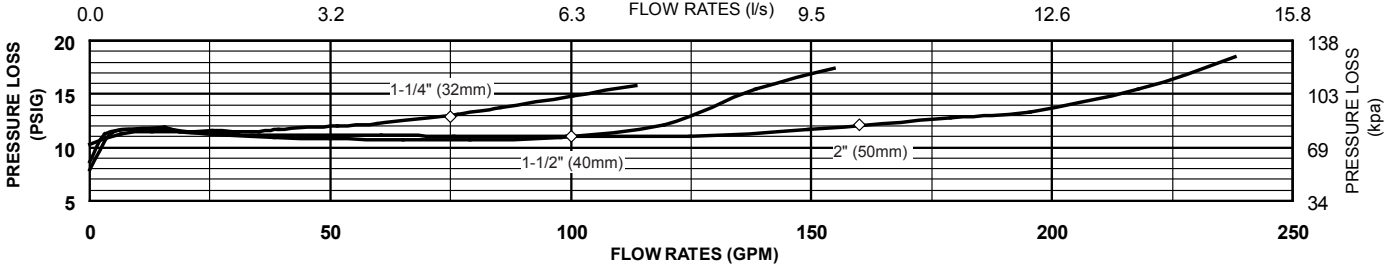
MODEL 375 SIZE		DIMENSIONS (approximate)										WEIGHT	
		A		B		C		D		E		LESS BALL VALVES	
in.	mm	in.	mm	in.	mm	in.	mm	in.	mm	in.	mm	lbs.	kg
3/4	20	8 7/8	225	1 5/16	33	1 5/8	41	2 15/16	75	3 7/8	98	4.7	2.1
1	25	11 3/16	284	2 1/4	57	2 1/4	57	3 7/16	87	4	102	8.2	3.7
1-1/4	32	14 7/8	378	n/a	n/a	3 1/4	83	3 3/4	95	5 3/4	146	18.7	8.5
1-1/2	40	15 1/4	387	n/a	n/a	3 1/4	83	3 3/4	95	5 3/4	146	18.3	8.0
2	50	16	406	n/a	n/a	3 1/4	83	3 3/4	95	5 3/4	146	19.4	8.8

# FLOW CHARACTERISTICS

## MODEL 375, 375XL 3/4" & 1" (STANDARD & METRIC)



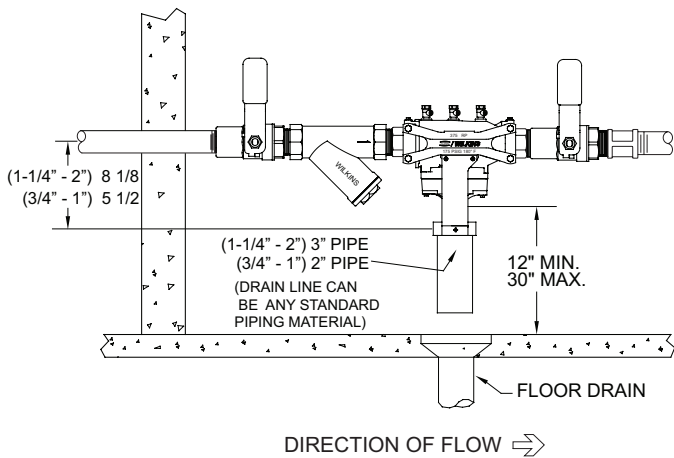
## MODEL 375, 375XL 1-1/4" - 2" (STANDARD & METRIC)



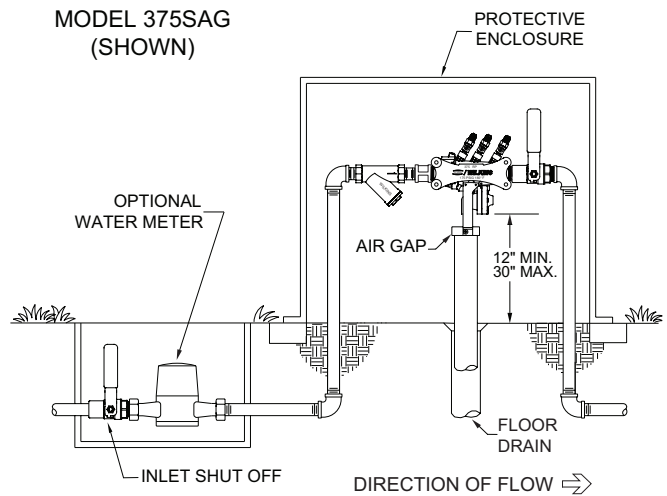
◇ Rated Flow (Established by approval agencies)

### TYPICAL INSTALLATION

Local codes shall govern installation requirements. To be installed in accordance with the manufacturers' instructions and the latest edition of the Uniform Plumbing Code. Unless otherwise specified, the assembly shall be mounted at a minimum of 12" (305mm) and a maximum of 30" (762mm) above adequate drains with sufficient side clearance for testing and maintenance. The installation shall be made so that no part of the unit can be submerged.



INDOOR INSTALLATION



OUTDOOR INSTALLATION

### SPECIFICATIONS

The Reduced Pressure Principle Backflow Preventer shall be Australian Watermark Approved (AS/NZS 2845.1), rated to 82°C and supplied male pipe thread tailpieces. The main body shall be Nylon and the seat disc elastomers shall be silicone. If installed indoors, the installation shall be supplied with an air gap adapter. The Reduced Pressure Principle Backflow Preventer shall be a WILKINS Model 375.