

# CD ONE TRP

Single-Jet Sealed Register  
Water Meter



## Main Characteristics

- ⇒ DN15 to DN25, PN16.
- ⇒ Tempered glass register lens.
- ⇒ Internal 60-70 micron fusion bonded epoxy coated brass body (OT58).
- ⇒ Register orientation for NZ installations.
- ⇒ OIML R49 (R200) and ISO 4064 Class C pattern approval.
- ⇒ Low flow performance with high flow and pressure resistance.
- ⇒ Inductive pulse and radio read module options.
- ⇒ Horizontal or vertical installations.
- ⇒ No straight pipe required.
- ⇒ TRP = Totalizer Register Protection, ensures reading accuracy.

## Application

- ⇒ CD ONE TRP is a reliable long life precision Single-Jet Meter.
- ⇒ Apartment, Residential, Commercial, Rural metered connections, Agricultural and Irrigation Meter.
- ⇒ Large in-built strainer protection, Stainless Bearing Pins, Protected register prepared for automatic meter reading.
- ⇒ Large flow range characteristics with low starting flow.
- ⇒ Tamper Proof design.

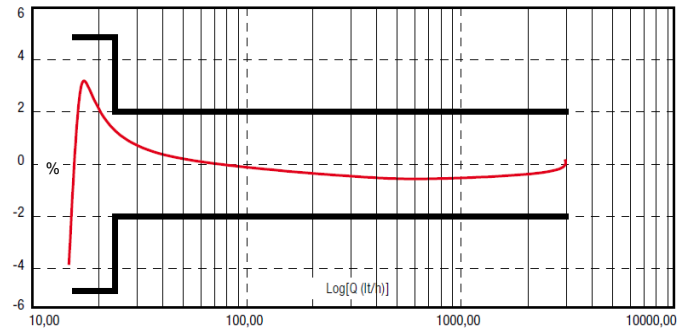
## Typical Marking



### Maddalena Factory

Marking available to either ISO 4064 Class C or OIML R49 Class 2 R200 pattern approval certifications

## Typical Accuracy Curve



## Accuracy and Reliability

The register mechanism is housed in a dry compartment meaning that it does not come into contact with the flowing water. As a result it remains perfectly clear for reading when used with scaling or sand particles suspended in the water.

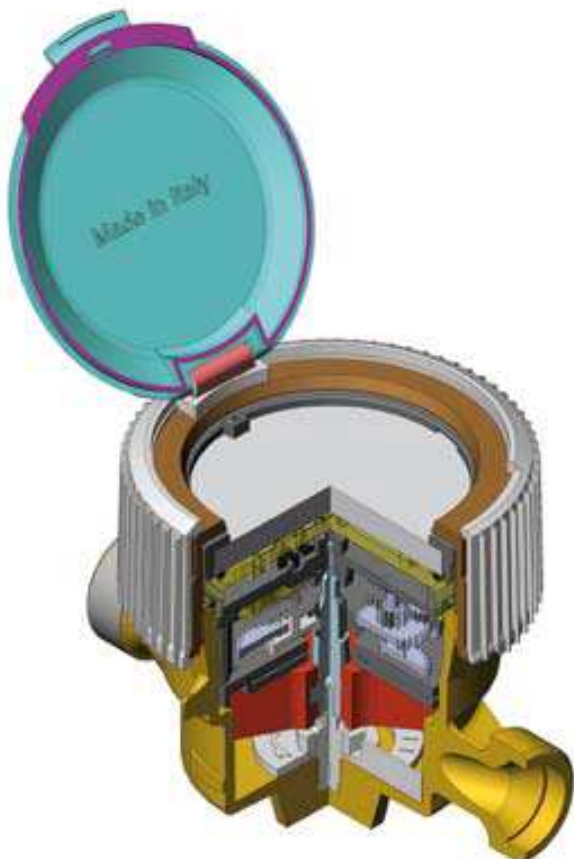
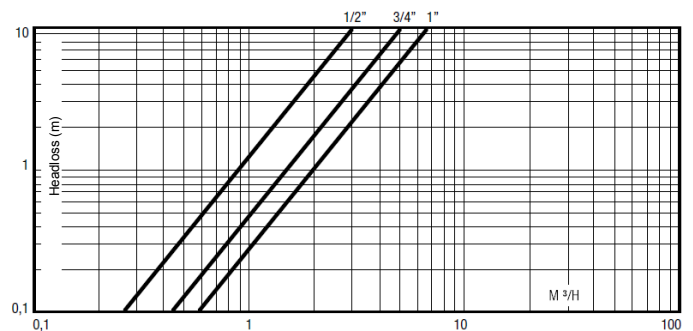
Stainless Steel 18/8 numbered drum and bearing shafts ensure accuracy is maintained for long meter life.

Internal components are made of unhygroscopic, anti-scaling and wear resistant plastic materials.

Each meter is hydraulic tested at three flow rates (Q1, Q2, Q3) on 100% of the production.

Meter performance exceed previous ISO 4064 Class C.

## Typical Headloss Curve



## Approvals

---

### EEC Patern approval :

In conformity with :

- 75/33/EEC and ISO 4064 Class C
- For DN15, DN20, DN25

EEC approval no B89 317.01 to 05

### EC type-examination certificate :

In conformity with :

- 2004/22/EC (MID) Annex M1-001
- EN 14154:2007
- OIML R49:2006 certified R200

Module B no. TCM 142/08-4627

Module D no. 0119-SJ-A010-08

DN15, DN20, DN25

### Compliance for potable drinking water :

KTM / DVGM (D)	ACS (F)
WRAS (UK)	Hydrocheck

## Legibility

---

The display on 5 drums for m<sup>3</sup> and 4 pointer dials for litres ensures perfect reliability. The lowest resolution is 0.1 litres. The dial has a central disc for leak detection.

The register is within a dry protected housing isolated from water flow to ensure clear reading over the life of the meter.

The meter is pre-equipped to allow remote reading and radio read modules.

## Options

---

### **SINGLE REED SWITCH PULSE EMITTER**

Suitable for industrial batching



### **QUADRAPLUS PULSE EMITTER**

Static bi-directional pulse emitter, equipped with false pulse detection device, battery powered.



## HYDRAULIC PERFORMANCES

<b>Diameter</b>	<b>mm</b>	15	20	25
	<b>inches</b>	½	¾	1
<b>Module B no.</b>	TCM 142/08-4627			
<b>Module D no.</b>	0119-SJ-A010-08			
<b>Metrological class MID</b>	<b>R (Q3 / Q1) ≤ 200 H - ≤ 100 V</b>			
<b>Performances in accordance with Directive 2004/22/EC</b>				
<b>Q<sub>3</sub></b>	<b>m<sup>3</sup>/h</b>	2.5	4.0	6.3
<b>Q<sub>4</sub></b>	<b>m<sup>3</sup>/h</b>	3.3	5.0	7.9
<b>R160</b>				
<b>Q<sub>1</sub></b>	<b>l/h</b>	15.6	25	N.A.
<b>Q<sub>2</sub></b>	<b>l/h</b>	25	40	N.A.
<b>R100</b>				
<b>Q<sub>1</sub></b>	<b>l/h</b>	25	40	63
<b>Q<sub>2</sub></b>	<b>l/h</b>	40	64	100.8

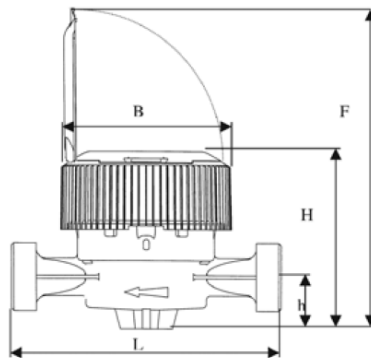
Other values of R available upon request

## TECHNICAL DATA

<b>Maximum permissible error between Q<sub>1</sub> and Q<sub>2</sub> (excluded)</b>	+/- 5%			
<b>Maximum permissible error between Q<sub>2</sub> (included) and Q<sub>4</sub></b>	+/- 2% with water temperature ≤ 30° C +/- 3% with water temperature ≤ 50° C			
<b>Temperature class</b>	T30 and T50			
<b>Flow profile sensitivity classes</b>	U0 - D0 (upstream or downstream straight lengths not required)			
<b>Starting flow rate</b>	<b>l/h</b>	4-5	7-9	16-18
<b>Pressure loss class (ΔP @ Q<sub>3</sub>)</b>	<b>bar</b>	Δ P 63		
<b>Nominal pressure</b>	<b>bar</b>	16	16	16
<b>Maximum reading</b>	<b>m<sup>3</sup></b>	100,000	100,000	100,000
<b>Minimum reading</b>	<b>l</b>	0.05	0.05	0.05
<b>Turbine revolutions per litre</b>		29.76	22.83	12.53
<b>Weight</b>	<b>kg</b>	0.75	0.92	1.25

## DIMENSIONS

<b>Length</b>	<b>mm</b>	110-115	130	160
<b>Length with couplings</b>	<b>mm</b>	190-195	228	260
<b>H</b>	<b>mm</b>	92	92	92
<b>h</b>	<b>mm</b>	25.51	25.51	25.51
<b>B</b>	<b>mm</b>	86	86	86
<b>F</b>	<b>mm</b>	158	158	158



The data shown in this catalogue are subject to modification without prior notice