

CD S/D 8 LI

Single-Jet Dry Dial Magnetic
Water Meter with Pulse Emitter

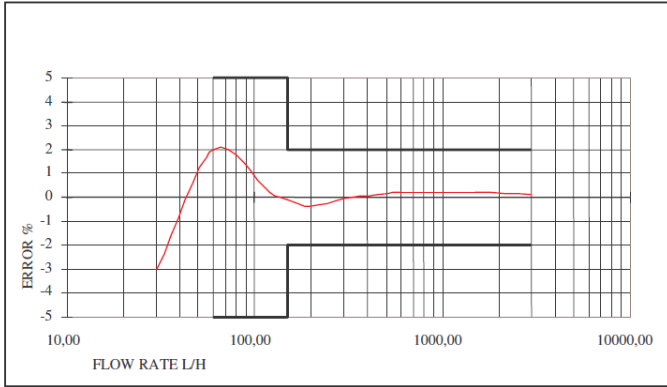
INDOOR APARTMENT WATER METER



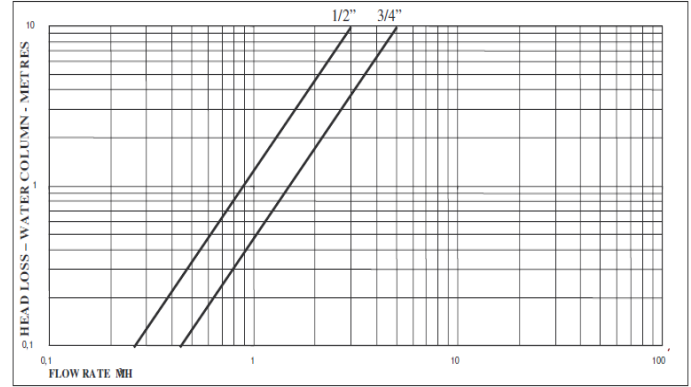
Main Characteristics

- Designed for **cold** or **hot** water 90°C rated.
- Class B approval in compliance with Directive 75/33/EEC or Directive 79/830/EEC ISO 4064 .
- Direct reading on 8 numbered drums: 5 black for cubic metres plus 3 red for decimals.
- Hot forged brass body (OT58).
- Nominal working pressure: 16 bar.
- Patented and certified device against damage caused by frost or water hammers.
- Hydraulic tests are carried out at three flow rates.
- (Qmin, Qt and Qmax) on 100% of the production. Our testing benches comply with standards ISO 4064/3 and ISO 4185 and are approved by a European metrological institute.
- The meter is equipped with a reed switch pulse emitter.
- The meter is also available in a pre-equipped version for retrofitting the pulse emitter.
- Pulse value: 1 pulse per 10 litres.

Typical Accuracy Curve

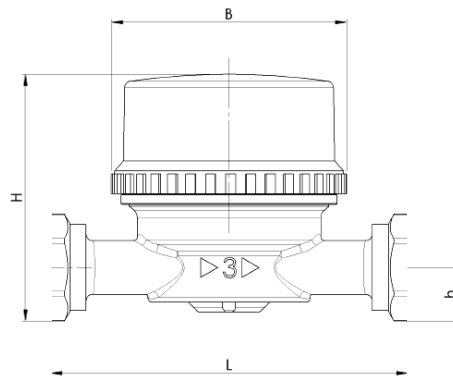


Typical Headloss Curve



Overall Dimensions and Hydraulic Performances

| SIZE | mm | 13 | 20 |
|---|-------------------|------------|------------|
| | inches | 1/2" | 3/4" |
| Performances in accordance with Directives 75/33/EEC, 79/830/EEC class B | | | |
| Qmin | l/h | 30 | 50 |
| Qt | l/h | 120 | 200 |
| Qn | m ³ /h | 1.5 | 2.5 |
| Qmax | m ³ /h | 3 | 5 |
| Real Performances | | | |
| Qmin | l/h | 25 | 45 |
| Qt | l/h | 120 | 130 |
| Qn | m ³ /h | 1.5 | 2.5 |
| Qmax | m ³ /h | 3 | 5 |
| Starting flow rate | l/h | 10 - 12 | 13 - 15 |
| Head of loss Qmax | bar | 1 | 0.7 |
| Nominal Pressure | bar | 16 | 16 |
| Maximum reading | m ³ | 100,000 | 100,000 |
| Minimum reading | l | 0.05 | 0.05 |
| Turbine revolution per litre | | 41.33 | 29.76 |
| Weight without couplings | kg | 0.45 | 0.6 |
| L | mm | 110 | 130 |
| H | mm | 72 | 77 |
| B | mm | 14 | 17 |
| b | mm | 70 | 70 |
| EEC approval no. - Cold water 30°C | | B93 322.01 | B95 322.02 |
| EEC approval no. - Hot water 90°C | | B93 48.01 | B95 48.02 |



The data shown in this catalogue are subject to modification without prior notice