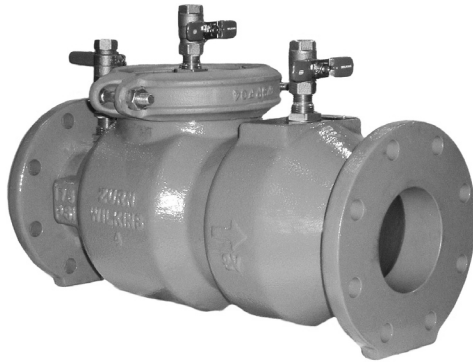


SPECIFICATION SUBMITTAL SHEET



APPLICATION

Designed for installation on potable water lines to protect against both backsiphonage and backpressure of polluted water into the potable water supply. The Model 350 shall provide protection where a potential health hazard does not exist (Medium Hazard).

STANDARDS COMPLIANCE :

- UL® Classified
- FM® Approved
- SAI Global Watermark (DN 65-250)



WATERMARK
AS/NZS 2845.1
LIC. 1379



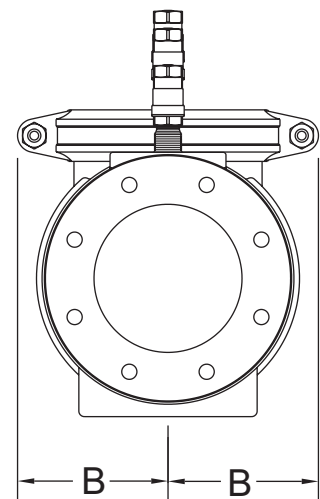
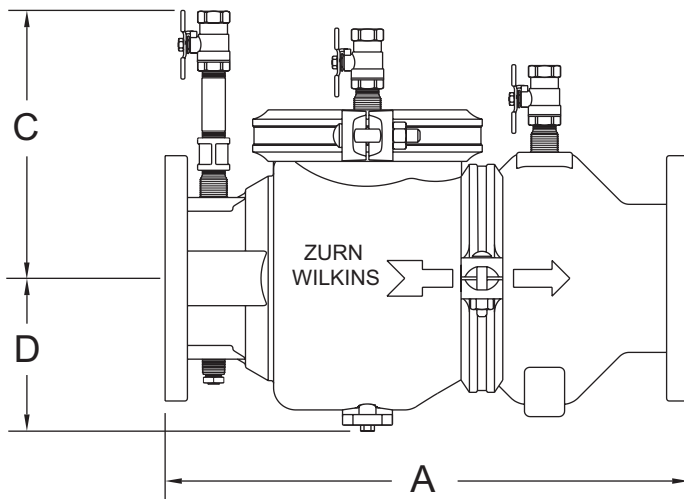
TYPE TESTED
AS/NZS 4020
LIC. 20111

FEATURES

DN: □ 65 □ 80 □ 100 □ 150 □ 200 □ 250 □ 300
 Maximum working water pressure 1200 kPa
 Maximum working water temperature 60°C
 Hydrostatic test pressure 2400kPa
 End connections
 (Flanged) AS 4087-2004 Fig B5 PN16
 Grooved available

MATERIALS

Main valve body Ductile Iron ASTM A 536 Grade 4
 Access covers Ductile Iron ASTM A 536 Grade 4
 Coatings FDA Approved fusion epoxy finish
 Internals Stainless steel, 300 Series
 NORYL™, NSF Listed
 Fasteners Stainless Steel, 300 Series
 Seal ring EPDM (FDA approved)
 O-ring Buna Nitrile (FDA approved)
 Springs Stainless Steel, 300 Series

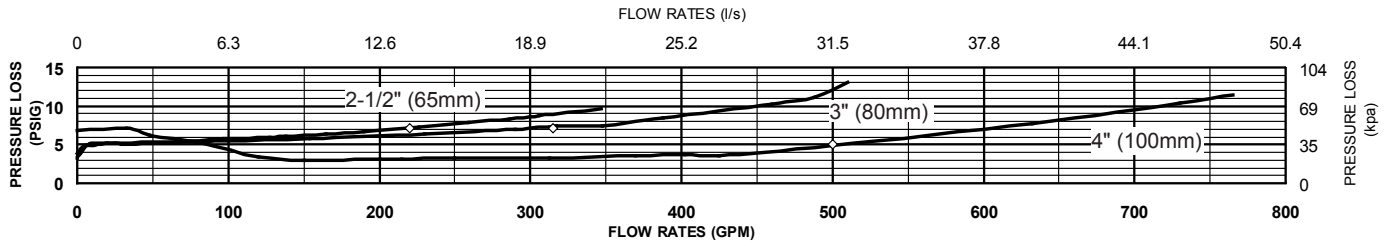


Dimensions in millimeters (approximate)

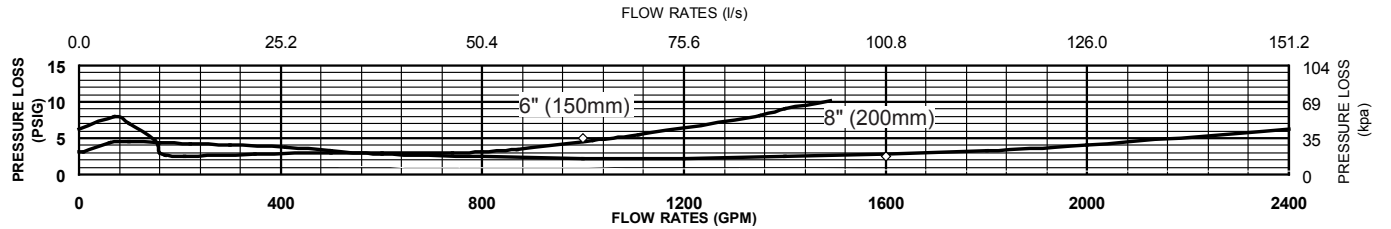
VALVE SIZE	A	B	C	D	FLANGE TYPE	# OF BOLT HOLES
65	403	111	203	89	AS4087 PN16	4
80	403	111	203	89	AS4087 PN16	4
100	535	124	241	152	AS4087 PN16	4
150	675	165	305	178	AS4087 PN16	8
200	959	254	356	216	AS4087 PN16	8
250	959	254	356	216	AS4087 PN16	8
300	965	254	356	229	AS4087 PN16	12

FLOW CHARACTERISTICS

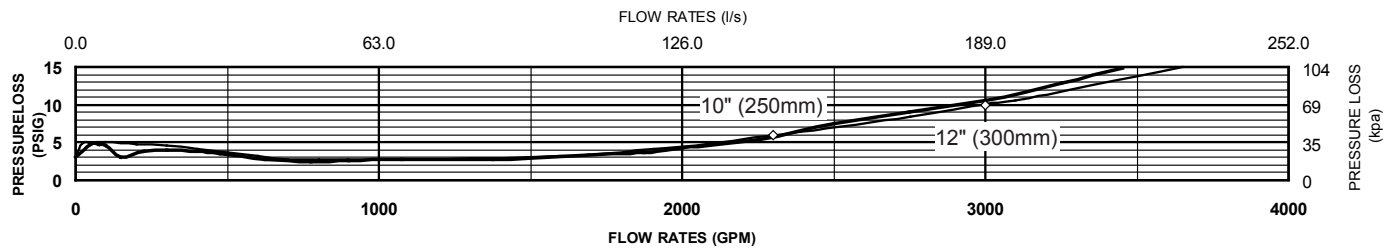
MODEL 350 2 1/2", 3" & 4" (STANDARD & METRIC)



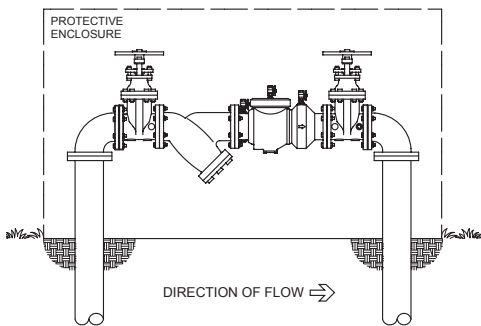
MODEL 350 6" & 8" (STANDARD & METRIC)



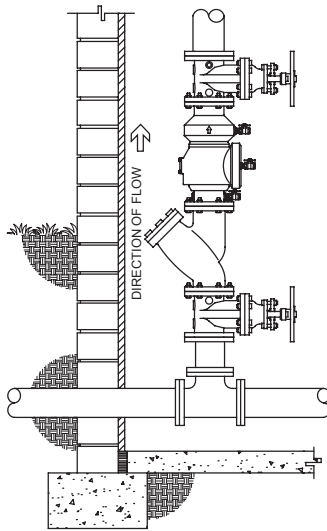
MODEL 350 10" & 12" (STANDARD & METRIC)



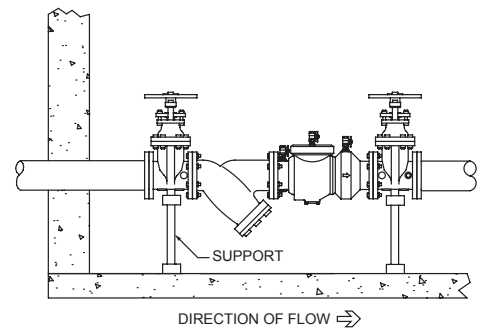
◇ Rated Flow (Established by approval agencies)



OUTDOOR INSTALLATION



VERTICAL INSTALLATION



INDOOR INSTALLATION

SPECIFICATIONS

The Double Check Backflow Prevention Assembly shall be Australian Watermark Approved (AS/NZS 2845.1). The main body and access cover shall be epoxy coated ductile iron (ASTM A 536 Grade 4), the seat ring and check valve shall be NORYL™, the stem shall be stainless steel (ASTM A 276) and the seat disc elastomers shall be EPDM. The checks shall be accessible for maintenance without removing the device from the line. The Double Check Backflow Prevention Assembly shall be a WILKINS Model 350.