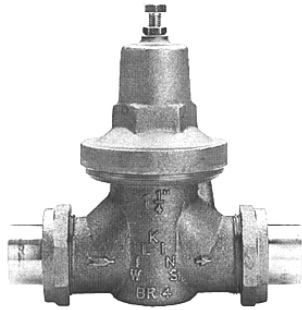


SPECIFICATION SUBMITTAL SHEET



FEATURES

Sizes: 1 1/4" 1 1/2" 2"

Maximum working water pressure	400 psi
Maximum working water temperature	180°F
Reduced pressure range	15 psi to 75 psi
Factory preset	50 psi
Threaded connections (FNPT)	ANSI B1.20.1
Copper connections (FC)	ANSI B16.22

OPTIONS

(Suffixes can be combined)

- standard with single union FNPT connection and 20 mesh strainer screen
- C - with FC (copper sweat) connection
- DU - with double union FNPT connection
- LU - with integral FNPT connection (no union)
- SC - sealed cage bell with stainless steel adjustment bolt & nut
- P - tapped and plugged for gauge

ACCESSORIES

- Repair kit
- Spacer nipple (114-BR4DUSPC) (1 1/4" only)
- In-line strainer screen for DUSPC (SCR)
- Tailpiece kit (TPK)

DIMENSIONS & WEIGHTS (do not include pkg.)

SIZE		CONNECTIONS	DIMENSIONS (approximate)						WEIGHT	
			A		B		C		lbs.	kg.
in.	mm		in.	mm	in.	mm	in.	mm		
1 1/4	32	SINGLE UNION	6	152	6 1/2	165	3 7/8	98	7	3.0
1 1/4	32	LESS UNION	5	127	6 1/2	165	3 7/8	98	6	2.5
1 1/4	32	DOUBLE UNION	7 1/2	191	6 1/2	165	3 7/8	98	8	3.5
1 1/2	40	SINGLE UNION	7	178	8	203	5	127	11	5.0
1 1/2	40	LESS UNION	5 13/16	148	8	203	5	127	10	4.5
1 1/2	40	DOUBLE UNION	8	203	8	203	5	127	12	5.5
2	50	SINGLE UNION	7	178	8	203	5	127	13	6.0
2	50	LESS UNION	5 13/16	148	8	203	5	127	11	5.0
2	50	DOUBLE UNION	8 5/16	211	8	203	5	127	14	6.5

APPLICATION

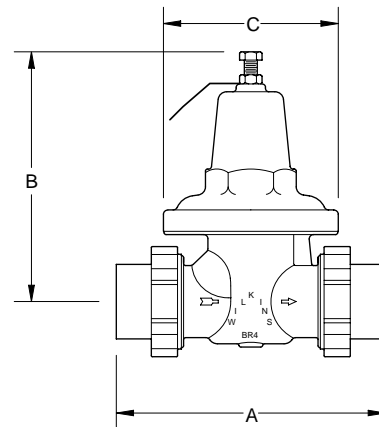
Designed for installation on potable water lines to reduce high inlet pressure to a lower outlet pressure. The double female union connections make this device most suitable for applications with minimal clearance and installations requiring frequent off-site maintenance. The balance piston design enables the regulator to react in a smooth and responsive manner to changes in system flow demand, while at the same time, providing protection from inlet pressure change.

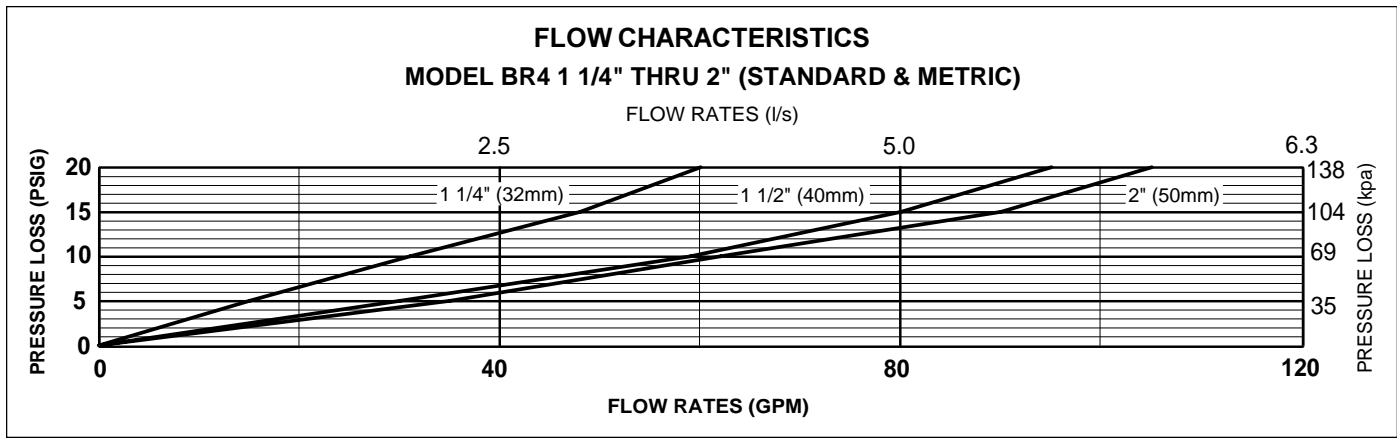
STANDARDS COMPLIANCE

- ASSE® Listed 1003
- IAPMO® Listed
- CSA® Certified
- City of Los Angeles Approved

MATERIALS

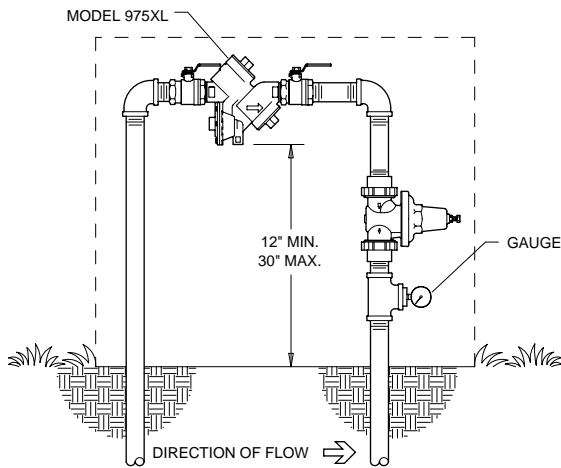
Body & bell	Cast bronze, ASTM B 584
Cartridge	Delrin™, NSF Listed
Plunger	Brass, ASTM B 16
Stem	Brass, ASTM B 16
Elastomers	EPDM (FDA approved) Buna nitrile (FDA approved)
Strainer screen	Stainless Steel, 300 Series



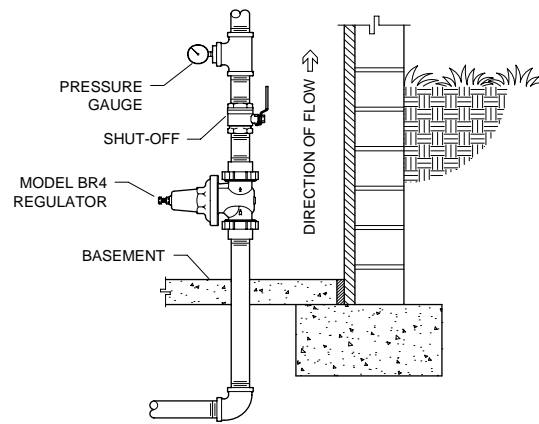


TYPICAL INSTALLATION

Local codes shall govern installation requirements. Unless otherwise specified, the assembly shall be mounted in accordance with manufacturer's instructions and the latest edition of the Uniform Plumbing Code. The Model BR4 may be installed in any position. If installed in a pit or vault, specify the "SC" sealed cage option. The assembly shall be installed with sufficient side clearance for testing and maintenance. Multiple installations are recommended for wide demand variations or where the desired pressure reduction is more than 4 to 1 (i.e.: 200 psi inlet reduced to 50 psi outlet). **CAUTION:** Anytime a reducing valve is adjusted, a pressure gauge must be used downstream to verify correct pressure setting. Do not bottom adjustment bolt on bell housing.



OUTDOOR INSTALLATION



INDOOR INSTALLATION

SPECIFICATIONS

The Pressure Reducing Valve shall be ASSE® Listed 1003. The main body and bell housing shall be cast bronze (ASTM B 584). The pressure reducing valve shall be of the balance piston design, include an integral strainer screen and shall reduce pressure in both flow and no-flow conditions using an adjusting bolt. The bronze bell housing shall be threaded to the body and shall not require the use of ferrous screws. The Pressure Reducing Valve shall be a WILKINS Model BR4.