

# SPECIFICATION SUBMITTAL SHEET



**Model 310G**

### FEATURES

- Sizes:  4"  6"  8"
- Maximum working water pressure 175 PSI  
 Maximum working water temperature 140°F  
 Hydrostatic test pressure 350 PSI  
 End connections  
     (Grooved for steel pipe) AWWA C606  
     (Flanged) ANSI B16.1 Class 125

### OPTIONS

- (Suffixes can be combined)
- G - with grooved body
  - DA - with by pass assembly
  - OSY - with OS & Y gate valves
  - with gpm meter (standard)
  - CFM - with cu ft/min meter
  - DALM - with by pass assembly less water meter
  - DALMNYC - with by pass assembly less water meter for use with 3/4" x 9" long meters

### ACCESSORIES

- Repair kit (rubber only)
- Thermal expansion tank (Model WXTP)
- Flange by Groove adapter (FLA)

### BY-PASS TAPPING SIZE

- 4" Model 310 3/4" up to 1 1/4" NPT  
 6" Model 310 3/4" up to 1 1/2" NPT  
 8" Model 310 3/4" up to 2" NPT  
 (DA Option only available in 3/4")

### APPLICATION

Designed for installation on potable water connections in fire sprinkler systems to protect against both backsiphonage and backpressure of polluted water into the potable water supply. Assembly shall provide protection where a potential health hazard does not exist.

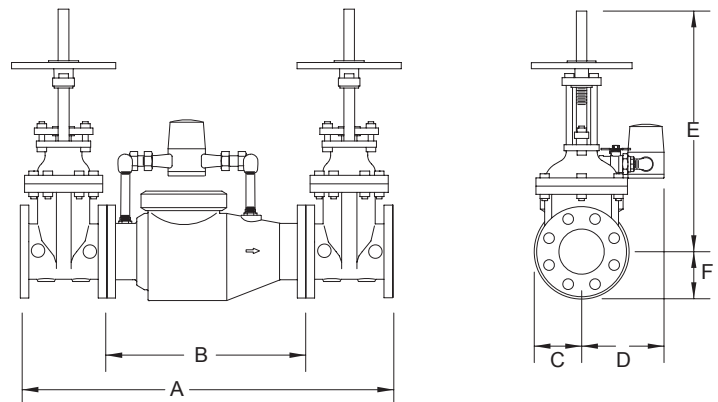
### STANDARDS COMPLIANCE

(Unless otherwise noted, applies to sizes 4" & 6")

- Factory Mutual 1045
- UL® Listed
- C-UL® Listed
- NYC MEA 303-02-E

### MATERIALS

- Main valve body Ductile Iron ASTM A 536 Grade 4
- Access covers Ductile Iron ASTM A 536 Grade 4
- Coatings FDA Approved fusion epoxy finish
- Internals Stainless steel, 300 Series  
NORYL™, NSF Listed
- Fasteners Stainless Steel, 300 Series
- Elastomers EPDM (FDA approved)  
Buna Nitrile (FDA approved)
- Polymers NORYL™, NSF Listed
- Springs Stainless Steel, 300 Series



**Model 310DAOSY shown**

### DIMENSIONS & WEIGHTS (do not include pkg.)

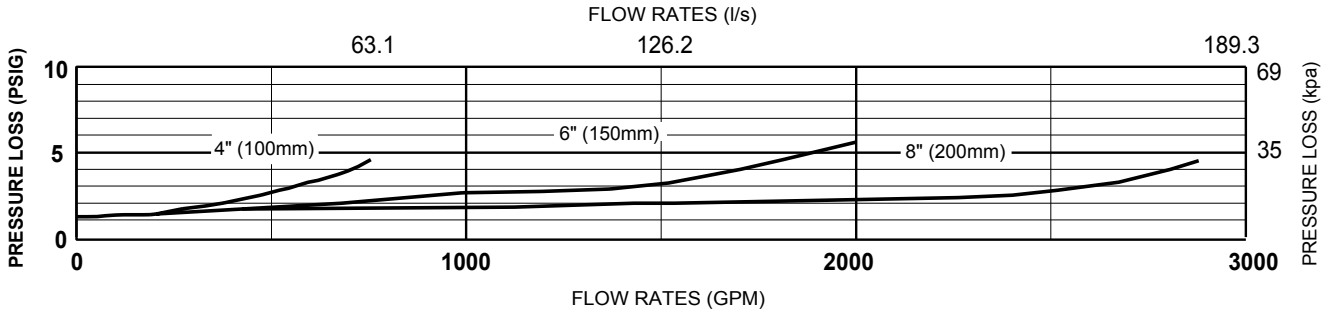
MDL SIZE	DIMENSION (approximate)												WEIGHT										
	A		B LESS GATE VALVES		C		D		E OS&Y OPEN		E OS&Y CLOSED		F		MODEL 310 GROOVE D		WITH OSY GATE VALVES		WITH OS&Y GATE VALVES & BY-PASS				
	in.	mm	in.	mm	in.	mm	in.	mm	in.	mm	in.	mm	in.	mm	lbs.	kg	lbs.	kg	lbs.	kg	lbs.	kg	
4	100	34 5/8	880	16 1/2	419	4 1/2	114	8	203	22 3/4	578	18 1/4	464	6	152	63	28.6	39	17.7	253	114.9	259	117.5
6	150	43 5/8	1108	22 1/2	572	6	152	10	254	30 1/8	765	23 3/4	603	7	178	133	60.4	104	47.2	433	196.5	441	200.2
8	200	49 1/2	1257	26 1/2	673	10	254	12	305	37 3/4	959	29 1/4	743	8	203	254	115.3	213	96.7	730	331	741	336.4

(Patent No. 5,913,331)

DOCUMENT #: BF-310 REVISION: 2/09

## FLOW CHARACTERISTICS

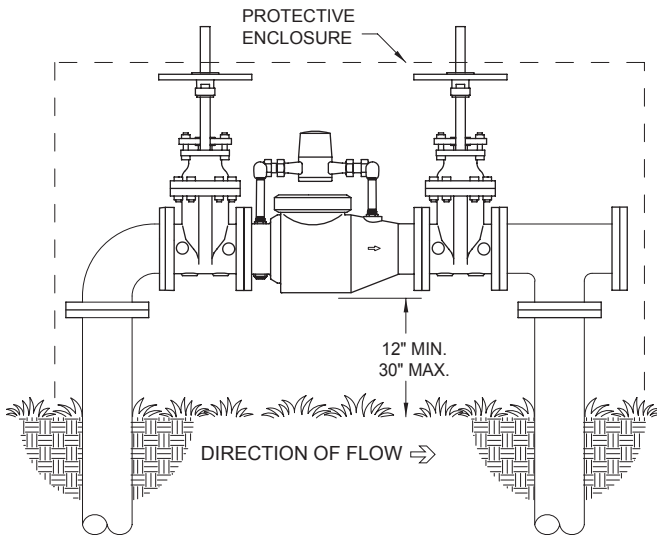
### MODEL 310 4", 6" & 8"(STANDARD & METRIC)



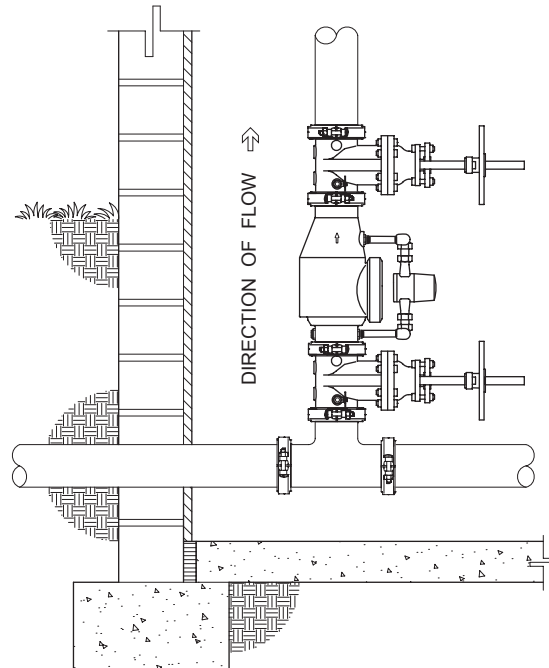
### TYPICAL INSTALLATION

Local codes shall govern installation requirements. Unless otherwise specified, the assembly shall be mounted at a minimum of 12" (305mm) and a maximum of 30" (762mm) above adequate drains with sufficient side clearance for testing and maintenance. The installation shall be made so that no part of the unit can be submerged.

Capacity thru Schedule 40 Pipe (GPM)				
Pipe size	5 ft/sec	7.5 ft/sec	10 ft/sec	15 ft/sec
2 1/2"	75	112	149	224
3"	115	173	230	346
4"	198	298	397	595
6"	450	675	900	1351
8"	780	1169	1559	2339
10"	1229	1843	2458	3687



**OUTDOOR INSTALLATION  
(310DAOSY)**



**VERTICAL INSTALLATION  
(310DAGOSY)**

### SPECIFICATIONS

The main body and access cover shall be epoxy coated ductile iron (ASTM A 536 Grade 4), the seat ring and check valve shall be Noryl™ (NSF Listed), the stem shall be stainless steel (ASTM A 276) and the seat disc elastomers shall be EPDM. The check valve shall be accessible for maintenance without removing the device from the line. The Detector Check Valve shall be a WILKINS Model 310.