

## SPECIFICATION SUBMITTAL SHEET



Model 35 (1/2")



Model 35 (3/4"-2")



Model 35VCH (1/4")

### APPLICATION

Designed for installation on potable water lines to protect against backsiphonage of contaminated water into the potable water supply. Assembly shall provide protection where a potential health hazard exists.

### FEATURES

- Sizes:  1/4"  1/2"  3/4"  
 1"  1 1/4"  1 1/2"  2"

Maximum working water pressure 125 PSI  
 Maximum working water temperature 180°F

### OPTIONS

(Suffixes can be combined)

- CH - with rough chrome plate finish (1/2" only)
- VCH - with vertical inlet and outlet with rough chrome finish (1/4" only)

### ACCESSORIES

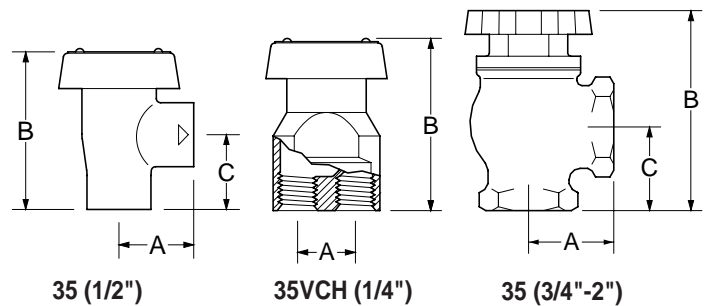
- YB - Bronze Wye Strainer

### STANDARDS COMPLIANCE

- ASSE® Listed 1001
- CSA® Certified
- IAPMO® Listed

### MATERIALS

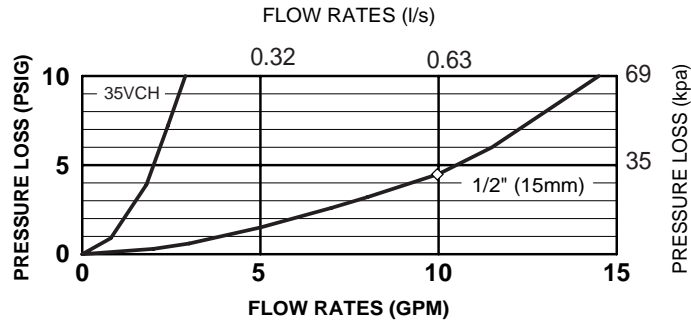
- Main valve body Cast Brass (1/4"-1/2")  
Cast Bronze ASTM B 584 (3/4"-2")
- Elastomers Silicone (FDA approved)  
Buna Nitrile (FDA approved)
- Polymers ULTEM™, NSF Listed (1/4"-1/2")  
Polypropylene (3/4"-2")



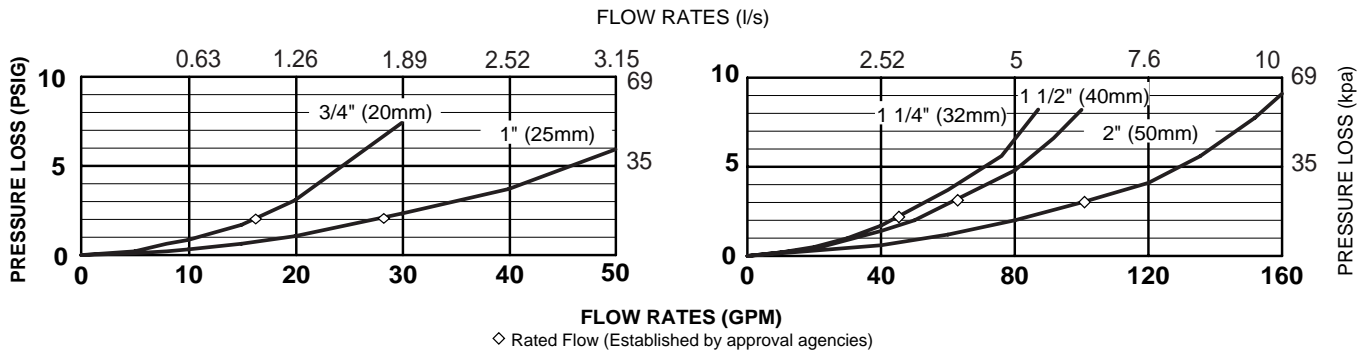
### DIMENSIONS (do not include pkg.)

MODEL SIZE		DIMENSIONS (approximate)						WEIGHT	
		A		B		C			
in.	mm	in.	mm	in.	mm	in.	mm	lbs.	kg
1/4 VCH	8	3/4	19	2 1/2	64	N/A	N/A	1	0.5
1/2	15	1 5/16	33	2 5/8	67	1 1/4	32	2	0.9
3/4	20	1 1/2	38	2 5/8	67	1 1/2	38	2	0.9
1	25	1 5/8	41	3 13/16	97	1 5/16	33	2	0.9
1 1/4	32	2	51	4 13/16	122	2	51	3	1.4
1 1/2	40	2 1/4	57	5 1/2	140	2 5/16	59	4	1.8
2	50	2 1/4	57	6 3/4	171	2 5/8	67	6	2.7

## FLOW CHARACTERISTICS MODEL 35 1/4" & 1/2"(STANDARD & METRIC)

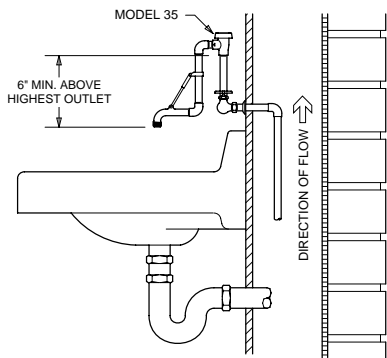


## MODEL 35 3/4", 1", 1 1/4" 1 1/2" & 2"(STANDARD & METRIC)

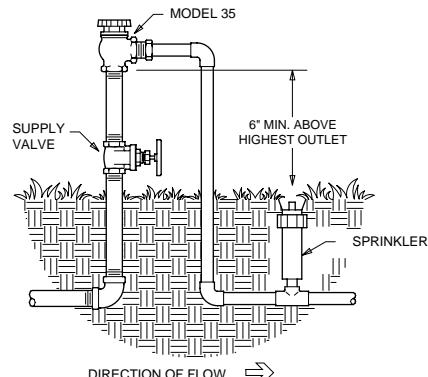


### TYPICAL INSTALLATION

Local codes shall govern installation requirements. To be installed in accordance with the manufacturer's instructions and the latest edition of the Uniform Plumbing Code. Unless otherwise specified, the assembly shall be mounted at a minimum of 6" (150mm) above the highest point of discharge with sufficient side clearance for maintenance. Because the Model 35 is not to be used under continuous pressure never place a shut-off or check valve downstream of the device. The installation shall be made so that no part of the unit can be submerged.



**MODEL 35 INSTALLATION**



**MODEL 35 INSTALLATION**

### SPECIFICATIONS

The Atmospheric Vacuum Breaker shall be ASSE® Listed 1001. The main body shall be cast bronze (3/4"-2"), and cast brass (1/4"-1/2"). All internal polymers shall be NSF® Listed ULTEM™ or Polypropylene and the seat disc elastomers shall be Silicone. The device shall be accessible for maintenance without removing the device from the service line. The installation shall not be in a concealed or inaccessible location, or where the venting of water from the device, during normal functioning, may be deemed objectionable. The Atmospheric Vacuum Breaker shall be a WILKINS Model 35 or Model 35VCH.