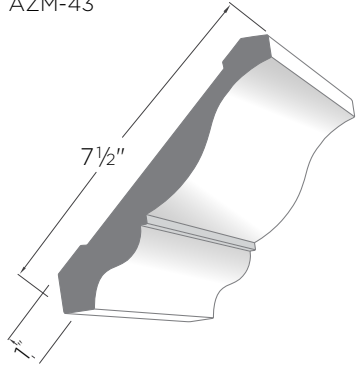


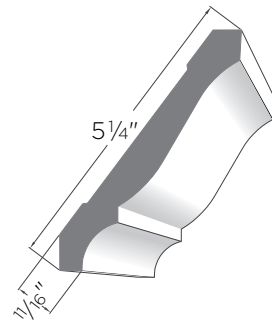
CROWN PROFILES

Crown moulding profiles are typically decorative mouldings designed for use along the intersection of a wall and ceiling. May be combined with other mouldings to create a "built-up" profile.

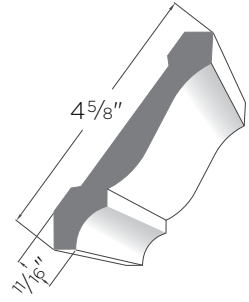
8" Crown (NEW FOR 2012)
AZM-43



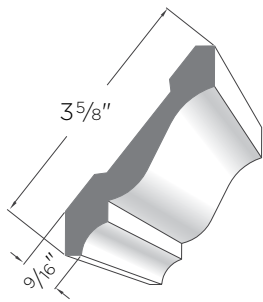
6" Crown
AZM-45



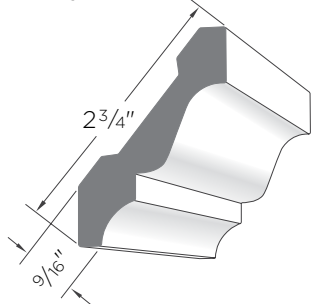
5" Crown
AZM-47



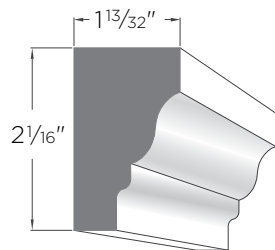
4" Crown
AZM-49



3" Crown
AZM-52



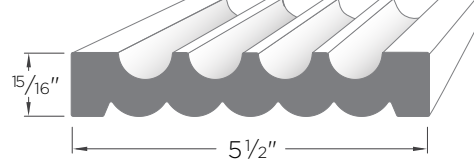
Rams Crown
AZM-6934



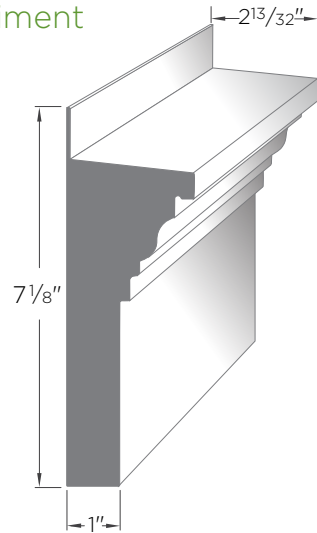
CASING PROFILES

Casing profiles are decorative mouldings typically used flush against a wall, door or window to create surrounds.

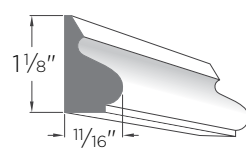
Fluted / Reeded (NEW FOR 2012)
AZM-606



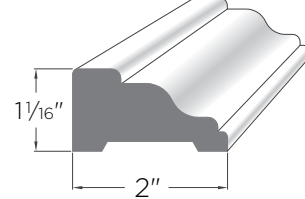
Crosshead Pediment (NEW FOR 2012)
AZM-6216



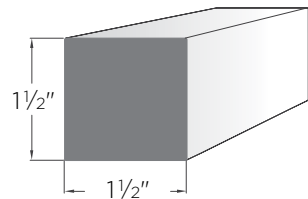
Base Cap
AZM-164



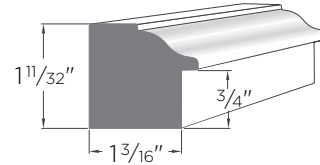
Rake Moulding
AZM-287



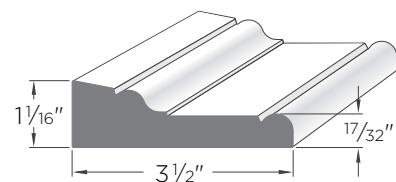
Square Profile
AZM-236



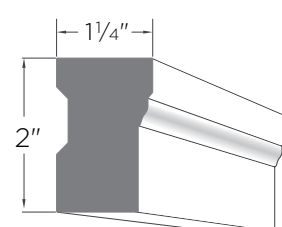
Back Band
AZM-6931



Adams Casing
AZM-97



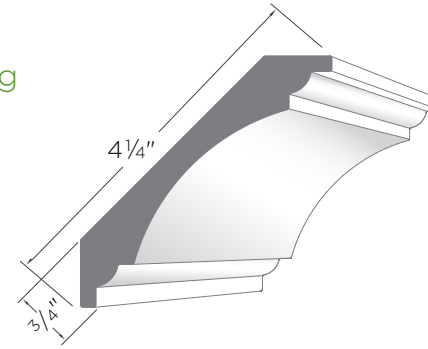
Brick Mould
AZM-180



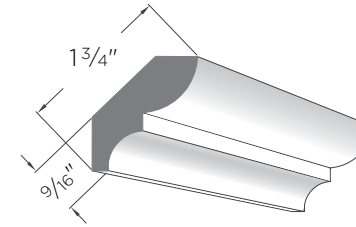
COVE PROFILES

Cove profiles are typically used along the intersection of a wall and ceiling.

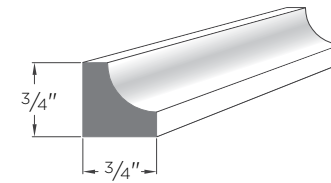
Cove Moulding
AZM-80



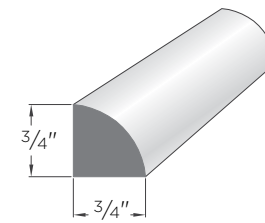
Bed Moulding
AZM-75



Scotia
AZM-93



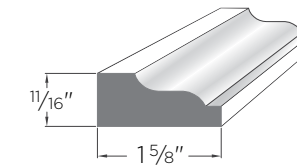
Quarter Round
AZM-105



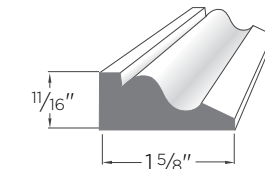
SHINGLE BAND PROFILES

Shingle Band is designed for use as a window or door casing or as a decorative shoe base.

Shingle Mould
AZM-210



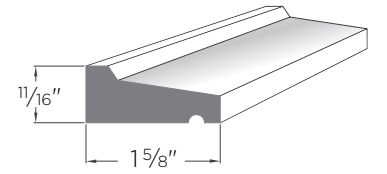
Band Moulding
AZM-217



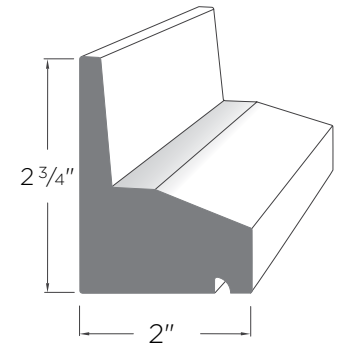
DRIP CAP PROFILES

Drip Cap is typically used as a water table or brick ledge for separation and water shed against two differing material types.

Drip Cap
AZM-197



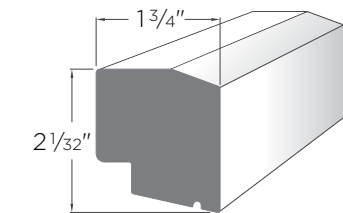
Water Table
AZM-6935



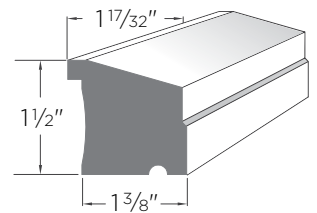
SILL PROFILES

Sill profiles shed water and offer architectural detail.

Historic Sill
AZM-6930



Sub Sill Nose
AZM-6933



GARAGE DOOR THERMOSTOP

Popular moulding profile designed to assist with sealing new or existing garage door openings to minimize weather and moisture intrusion.

Garage Door Thermostop
AZM-6936

