



SmarterGlass

state-of-the-art display solutions

www.smarterglass.com
978 997 4104
sales@smarterglass.com



(V) Preliminary Specification

() Final Specification

Module	27" Color TFT-LCD
Model Name	M270HW02 V2

Customer	Date
_____	_____
Approved by	
_____	_____
<p>Note: This Specification is subject to change without notice.</p>	

Approved by	Date
_____	_____
Prepared by	
<u>Skye Shih</u>	<u>2011/3/15</u>
<p>Desktop Display Business Group / AU Optronics corporation</p>	

Contents

1.0 Handling Precautions	4
2.0 General Description	5
2.1 Display Characteristics.....	5
2.2 Optical Characteristics	6
3.0 Functional Block Diagram	10
4.0 Absolute Maximum Ratings	11
4.1 TFT LCD Module.....	11
4.2 Backlight Unit	11
4.3 Absolute Ratings of Environment.....	11
5.0 Electrical characteristics	12
5.1 TFT LCD Module.....	12
5.1.1 Power Specification	12
5.1.2 Signal Electrical Characteristics	13
5.2 Backlight Unit	15
6.0 Signal Characteristic.....	16
6.1 Pixel Format Image	16
6.2 The input data format.....	16
6.3 Signal Description	18
6.4 Timing Characteristics.....	21
6.5 Timing diagram	22
6.6 Power ON/OFF Sequence	22
7.0 Connector & Pin Assignment.....	24
7.1 TFT LCD Module.....	24
7.1.1 Pin Assignment.....	24
7.2 Recommend connector for Backlight Unit.....	25
7.2.1 Pin assignment	26
8.0 Reliability Test.....	27
9.0 Shipping Label	28
10.0 Mechanical Characteristics	29
11.0 Packing Specification	30



Record of Revision

Version and Date	Page	Old description	New Description	Remark
V1 2011/03/15		1 st version	120Hz with LVDS and PWD connectors	
2011/5/10	12		I rush =3; VDD drop=500	
2011/5/10	19	Pin 1= 2D_3D_SW	Pin 1= NC	
2011/5/10	25	Pin 1= 2D_3D_SW	Pin 1= NC	
2011/5/10	26	7.2.1 pin assignment	New diagram for LED string control	

1.0 Handling Precautions

- 1) Since front polarizer is easily damaged, pay attention not to scratch it.
- 2) Be sure to turn off power supply when inserting or disconnecting from input connector.
- 3) Wipe off water drop immediately. Long contact with water may cause discoloration or spots.
- 4) When the panel surface is soiled, wipe it with absorbent cotton or other soft cloth.
- 5) Since the panel is made of glass, it may break or crack if dropped or bumped on hard surface.
- 6) Since CMOS LSI is used in this module, take care of static electricity and insure human earth when handling.
- 7) Do not open or modify the Module Assembly.
- 8) Do not press the reflector sheet at the back of the module to any directions.
- 9) In case if a Module has to be put back into the packing container slot after once it was taken out from the container, do not press the center of the LED lightbar edge. Instead, press at the far ends of the LED light bar edge softly. Otherwise the TFT Module may be damaged.
- 10) At the insertion or removal of the Signal Interface Connector, be sure not to rotate nor tilt the Interface Connector of the TFT Module.
- 11) After installation of the TFT Module into an enclosure, do not twist nor bend the TFT Module even momentary. At designing the enclosure, it should be taken into consideration that no bending/twisting forces are applied to the TFT Module from outside. Otherwise the TFT Module may be damaged.
- 12) Small amount of materials having no flammability grade is used in the LCD module. The LCD module should be supplied by power complied with requirements of Limited Power Source (IEC60950 or UL1950), or be applied exemption.
- 13) Please avoid touching COF position while you are doing mechanical design.
- 14) When storing modules as spares for a long time, the following precaution is necessary:
Store them in a dark place. Do not expose the module to sunlight or fluorescent light. Keep the temperature between 5°C and 35°C at normal humidity.

2.0 General Description

This specification applies to the 27 inch-FHD Color a-Si TFT-LCD Module M270HW02. The display supports the FHD - 1920(H) x 1080(V) screen format and 16.7M colors (RGB 8-bits). The light source of this TFT-LCD module is W-LED. All input signals are 4-channel LVDS interface and this module doesn't contain a driver for backlight.

2.1 Display Characteristics

The following items are characteristics summary on the table under 25°C condition:

ITEMS	Unit	SPECIFICATIONS
Screen Diagonal	[mm]	685.65(27.0")
Active Area	[mm]	597.6 (H) x 336.15 (V)
Pixels H x V		1920(x3) x 1080
Pixel Pitch	[um]	311.25 (per one triad) x311.25
Pixel Arrangement		R.G.B. Vertical Stripe
Display Mode		VA Mode, Normally Black
White Luminance (Center)	[cd/m ²]	400 cd/m ² (Typ.)
Contrast Ratio		5000(Typ.)
Optical Response Time	[msec]	12ms (Typ., on/off)
Nominal Input Voltage VDD	[Volt]	+5.0 V (Typ)
Power Consumption (VDD line + LED line)	[Watt]	34.43 (Typ.) (without inverter, all white pattern)
Weight	[Grams]	2900 Typ.
Physical Size	[mm]	630.0(H)x368.2(V)x14.5(D)
Electrical Interface		4-channel LVDS
Support Color		16.7M colors (RGB 8-bit)
Surface Treatment		Anti-Glare, 3H
Temperature Range		
Operating	[°C]	0 to +50
Storage (Shipping)	[°C]	-20 to +60
RoHS Compliance		RoHS Compliance
TCO Compliance		TCO 5.1 Compliance

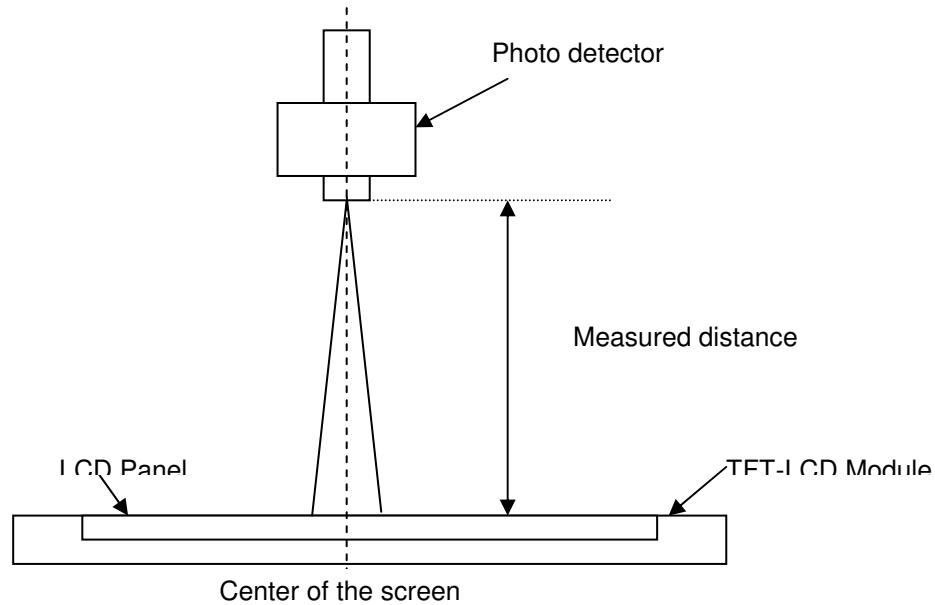
2.2 Optical Characteristics

The optical characteristics are measured under stable conditions at 25°C :

Item	Unit	Conditions	Min.	Typ.	Max.	Note
Viewing Angle	[degree]	Horizontal (Right) CR = 10 (Left)	150	178	- -	2
		Vertical (Up) CR = 10 (Down)	150	178	- -	
Contrast ratio		Normal Direction	4000	5000	-	3
Response Time	[msec]	Raising Time (T _{rR})	-	7		4
		Falling Time (T _{rF})	-	5		
		Raising + Falling	-	12		
Color / Chromaticity Coordinates (CIE)		Red x	0.610	0.640	0.670	5
		Red y	0.305	0.335	0.365	
		Green x	0.301	0.331	0.361	
		Green y	0.597	0.627	0.657	
		Blue x	0.123	0.153	0.183	
		Blue y	0.017	0.047	0.077	
Color Coordinates (CIE) White		White x	0.283	0.313	0.343	5
		White y	0.299	0.329	0.359	
Central Luminance	[cd/m ²]		320	400	-	6
Luminance Uniformity	[%]		75	80	-	7
Crosstalk (in 60Hz)	[%]				1.5	8
Flicker	dB				-20	9

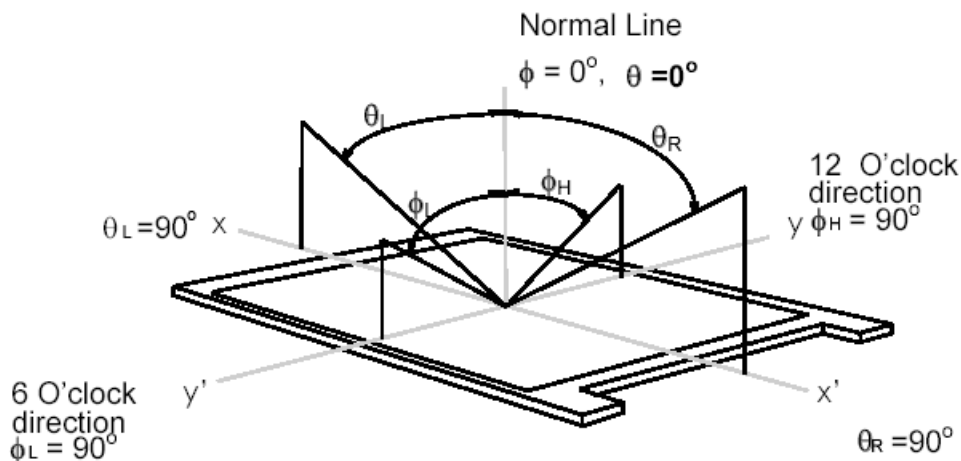
Note 1: Measurement method

The LCD module should be stabilized at given temperature for 30 minutes to avoid abrupt temperature change during measuring (at surface 35°C). In order to stabilize the luminance, the measurement should be executed after lighting Backlight for 30 minutes in a stable, windless and dark room.



Note 2: Definition of viewing angle measured by ELDIM (EZContrast 88)

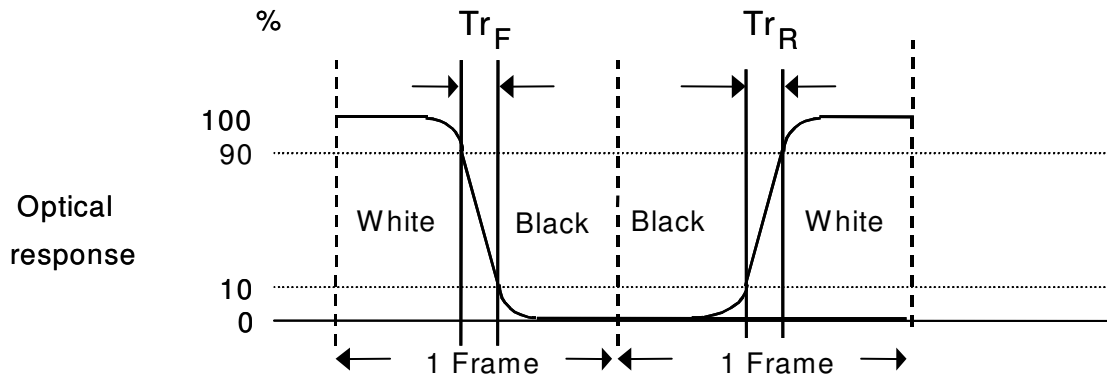
Viewing angle is the measurement of contrast ratio ≥ 10 , at the screen center, over a 180° horizontal and 180° vertical range (off-normal viewing angles). The 180° viewing angle range is broken down as follows; 90° (θ) horizontal left and right and 90° (ϕ) vertical, high (up) and low (down). The measurement direction is typically perpendicular to the display surface with the screen rotated about its center to develop the desired measurement viewing angle.



Note 3: Contrast ratio is measured by TOPCON SR-3

Note 4: Definition of Response time measured by Westar TRD-100A

The output signals of photo detector are measured when the input signals are changed from “Full Black” to “Full White” (rising time, Tr_R), and from “Full White” to “Full Black” (falling time, Tf_F), respectively. The response time is interval between the 10% and 90% (1 frame at 60 Hz) of amplitudes.

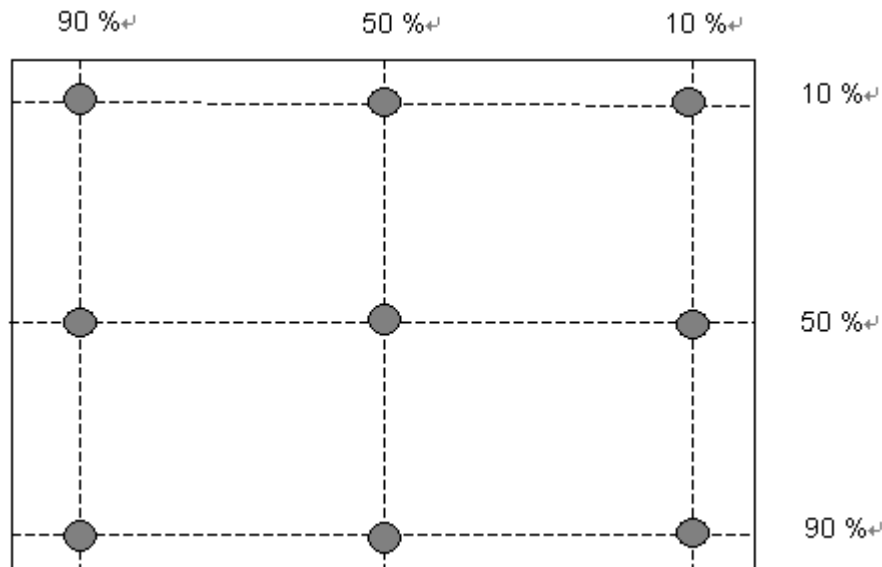


$Tr_R + Tf_F = 12$ msec (typ.).

Note 5: Color chromaticity and coordinates (CIE) is measured by TOPCON SR-3

Note 6: Central luminance is measured by TOPCON SR-3

Note 7: Luminance uniformity of these 9 points is defined as below and measured by TOPCON SR-3



$$\text{Uniformity} = \frac{\text{Minimum Luminance in 9 points (1-9)}}{\text{Maximum Luminance in 9 Points (1-9)}}$$

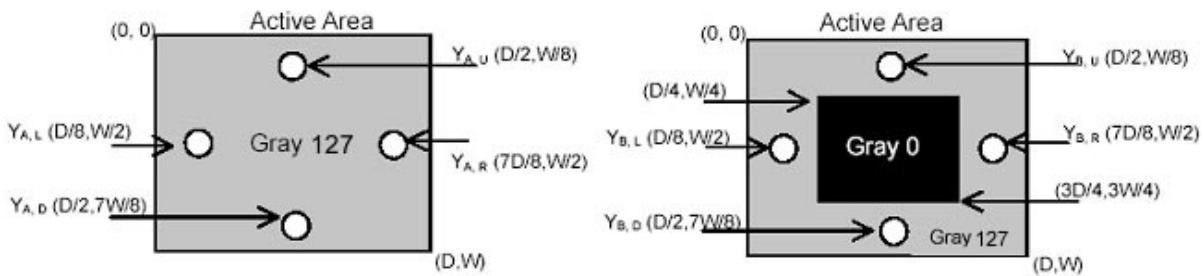
Note 8: Crosstalk is defined as below and measured by TOPCON SR-3

$$CT = | YB - YA | / YA \times 100 (\%)$$

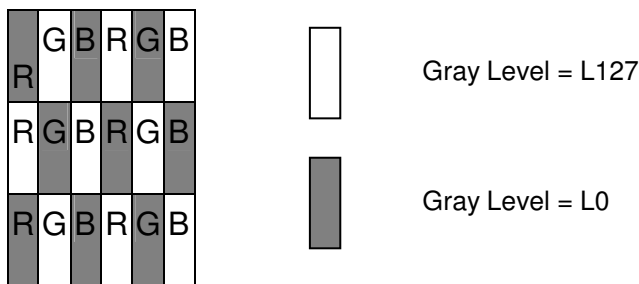
Where

YA = Luminance of measured location without gray level 0 pattern (cd/m²)

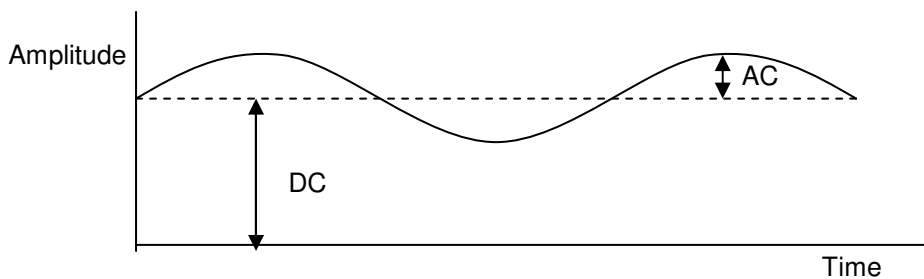
YB = Luminance of measured location with gray level 0 pattern (cd/m²)



Note 9: Test Pattern: Subchecker Pattern measured by TOPCON SR-3



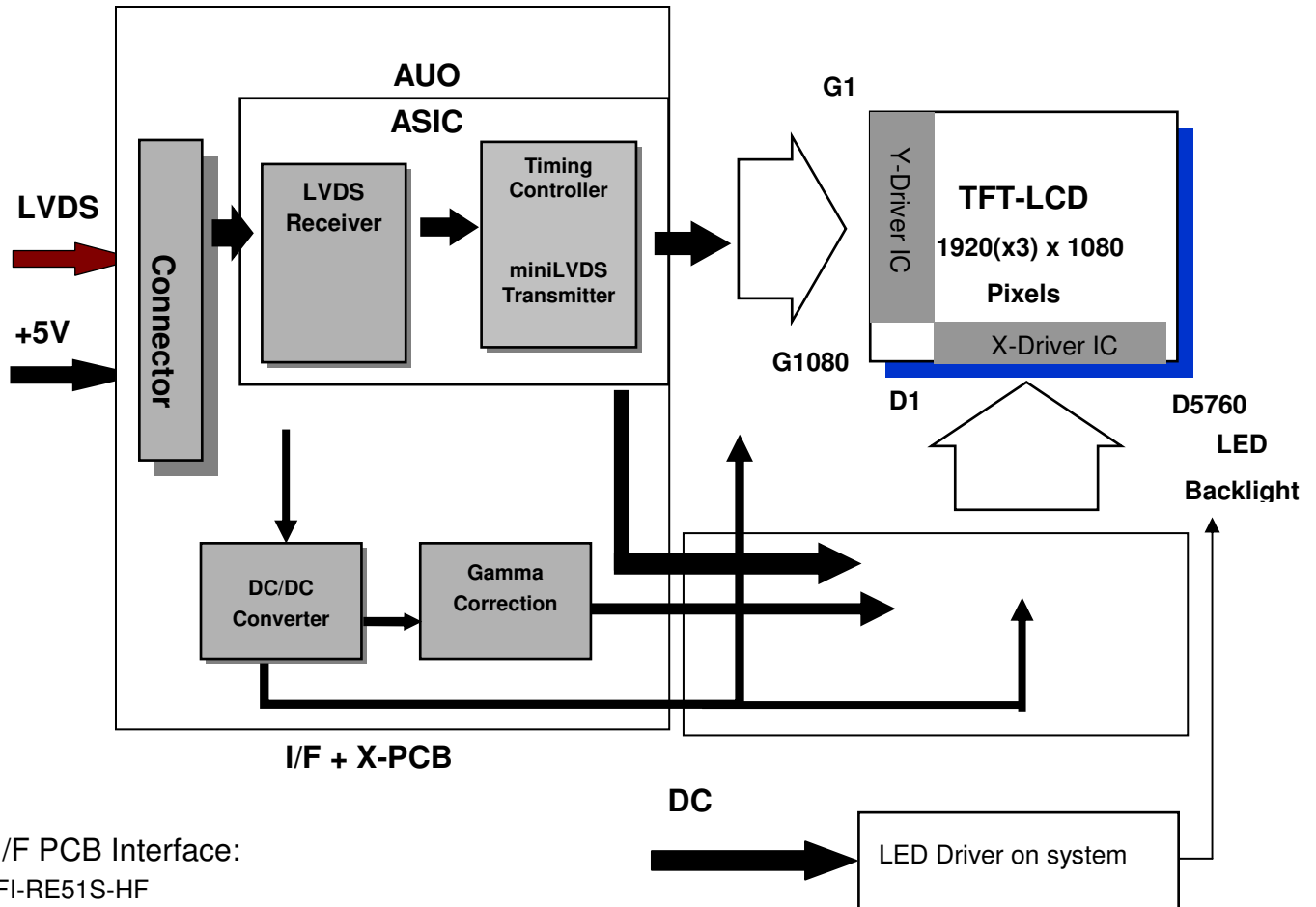
Method: Record dBV & DC value with TRD-100



$$\text{Flicker (dB)} = 20 \log \frac{\text{AC Level (at 30 Hz)}}{\text{DC Level}}$$

3.0 Functional Block Diagram

The following diagram shows the functional block of the 27.0 inch Color TFT-LCD Module:



I/F PCB Interface:

FI-RE51S-HF
185132-15021

Mating Type:

FI-RE51HL
12507HS-15L

4.0 Absolute Maximum Ratings

Absolute maximum ratings of the module are as following:

4.1 TFT LCD Module

Item	Symbol	Min	Max	Unit	Conditions
Logic/LCD Drive Voltage	VDD	0	6.0	[Volt]	Note 1,2

4.2 Backlight Unit

Item	Symbol	Typ	Max	Unit	Conditions
LED Current	ILED	60	63	[mA]	Note 1,2

4.3 Absolute Ratings of Environment

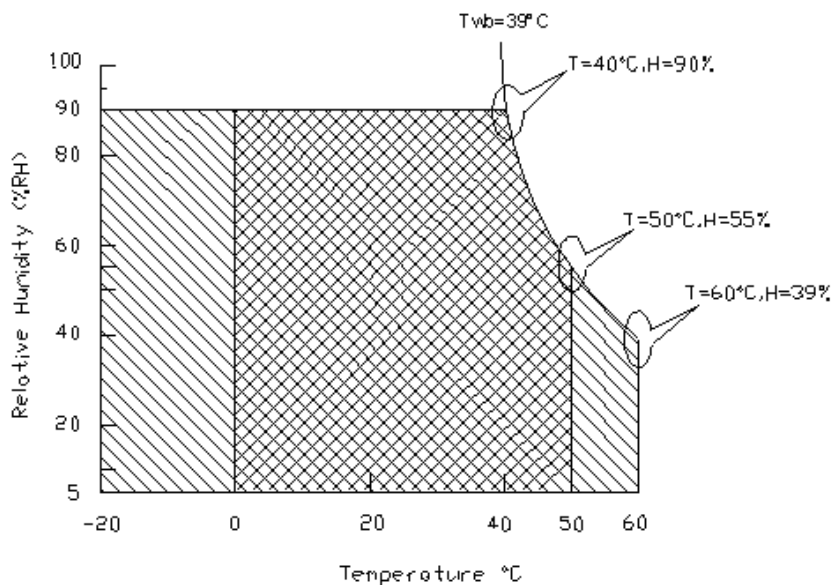
Item	Symbol	Min.	Max.	Unit	Conditions
Operating Temperature	TOP	0	+50	[°C]	Note 3
Center Glass surface temperature (operation)	TGS	0	+50	[°C]	
Operation Humidity	HOP	5	90	[%RH]	
Storage Temperature	TST	-20	+60	[°C]	
Storage Humidity	HST	5	90	[%RH]	

Note 1: With in Ta (25°C)

Note 2: Permanent damage to the device may occur if exceeding maximum values

Note 3: Temperature and relative humidity range are shown as the below figure.

1. 90% RH Max (Ta ≤ 39°C)
2. Max wet-bulb temperature at 39°C or less. (Ta ≤ 39°C)
3. No condensation



Operating Range



Storage Range



5.0 Electrical characteristics

5.1 TFT LCD Module

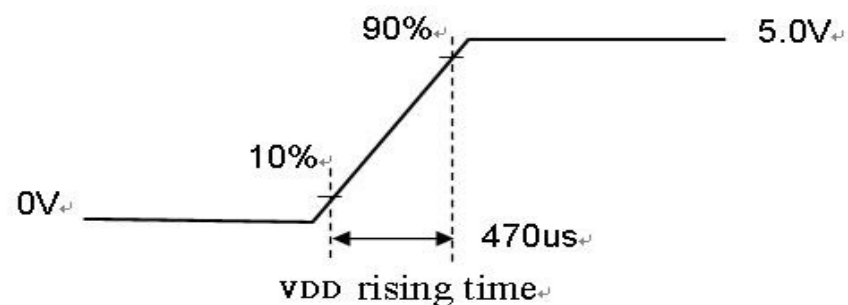
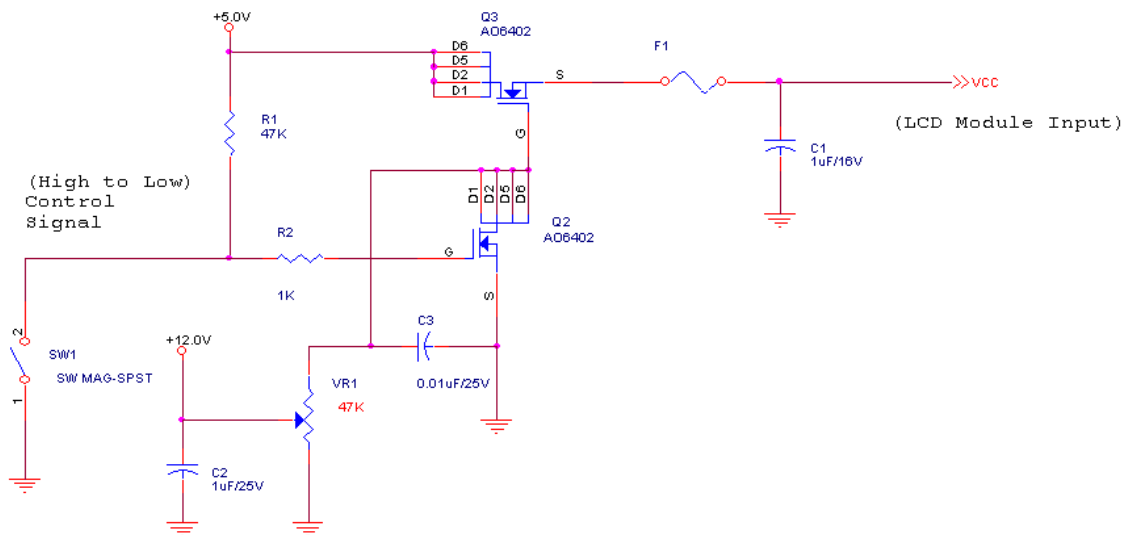
5.1.1 Power Specification

Input power specifications are as following:

Symbol	Parameter	Min	Typ	Max	Unit	Conditions
VDD	Logic/LCD Drive Voltage	4.5	5.0	5.5	[Volt]	+/-10%
IDD	Input Current	-	1.5	1.8	[A]	VDD= 5.0V, All White Pattern At 120Hz,
PDD	VDD Power	-	7.5	9	[Watt]	VDD= 5.0V, All White Pattern At 120Hz
IRush	Inrush Current	-	-	3	[A]	Note 1
VDDrp	Allowable Logic/LCD Drive Ripple Voltage	-	-	500	[mV] p-p	VDD= 5.0V, All White Pattern At 120Hz

Note 1: Measurement conditions:

The duration of rising time of power input is 470us.



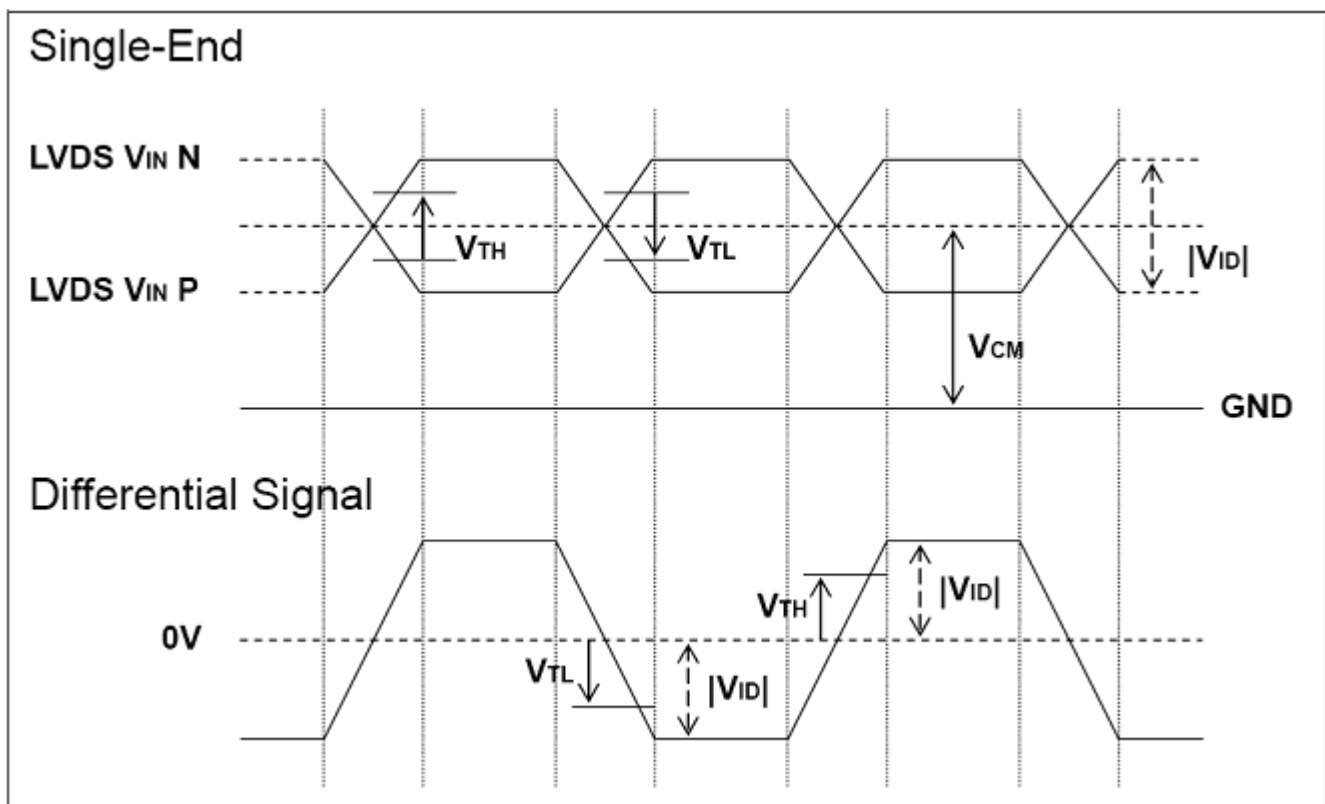
5.1.2 Signal Electrical Characteristics

Input signals shall be low or Hi-Z state when VDD is off. Please refer to specifications of SN75LVDS82DGG (Texas Instruments) in detail.

1. DC Characteristics of each signal are as following:

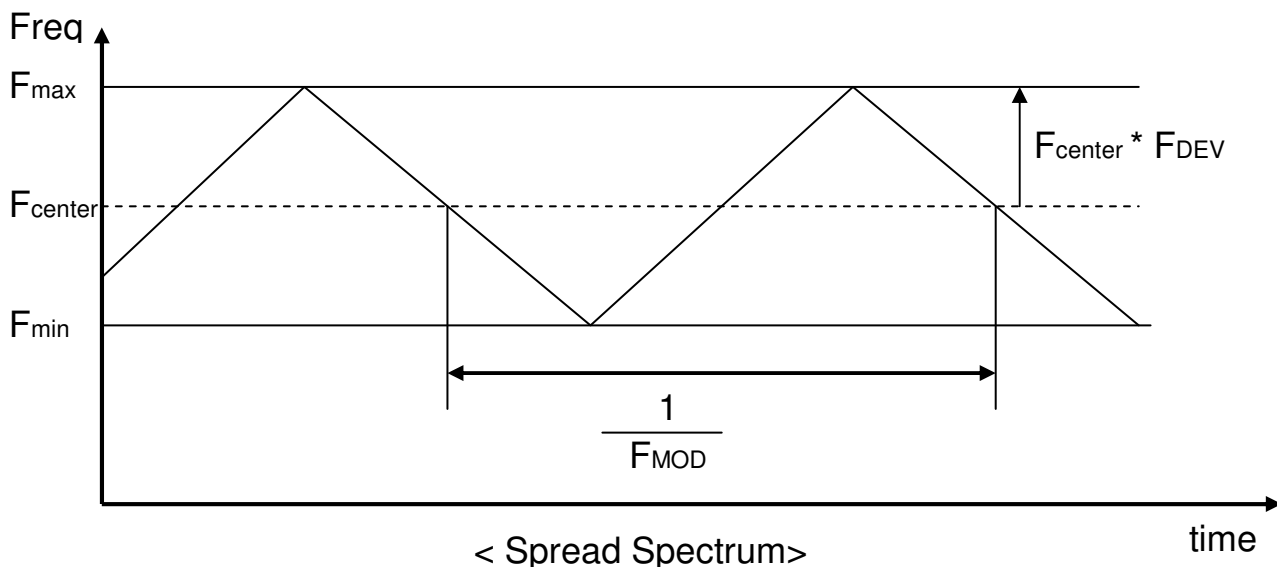
Symbol	Parameter	Min	Typ	Max	Units	Condition
V _{TH}	Differential Input High Threshold	-	-	+100	[mV]	V _{ICM} = 1.2V Note 1
V _{TL}	Differential Input Low Threshold	-100	-	-	[mV]	V _{ICM} = 1.2V Note 1
V _{ID}	Input Differential Voltage	100	-	600	[mV]	Note 1
V _{ICM}	Differential Input Common Mode Voltage	+1.0	+1.2	+1.5	[V]	V _{TH} -V _{TL} = 200mV (max) Note 1

Note 1: LVDS Signal Waveform



2. AC Characteristics

Description	Symbol	Min	Max	Unit	Note
Maximum deviation of input clock frequency during SSC	F_{DEV}	-	± 3	%	
Maximum modulation frequency of input clock during SSC	F_{MOD}	-	200	KHz	



5.2 Backlight Unit

Parameter guideline for LED driving is under stable conditions at 25°C (Room Temperature):

Symbol	Parameter	Min.	Typ.	Max.	Unit	Note
$I_{R_{LED}}$	LED Operation Current	-	60	63	[mA] Note 1	Operating with fixed driving current
V_{LB}	Light Bar Operation Voltage (for reference)	-	56.1	61.2	[Volt] Note 2	
P_{BLU}	BLU Power consumption (for reference)	-	26.93	29.38	[Watt]	
LT_{LED}	LED life Time (Typical)	30000	-	-	[Hour] Note 3	

Note 1 :The specified current is input LED chip 100% duty current.

Note 2 : The value showed in the table is one light bar's operation voltage.

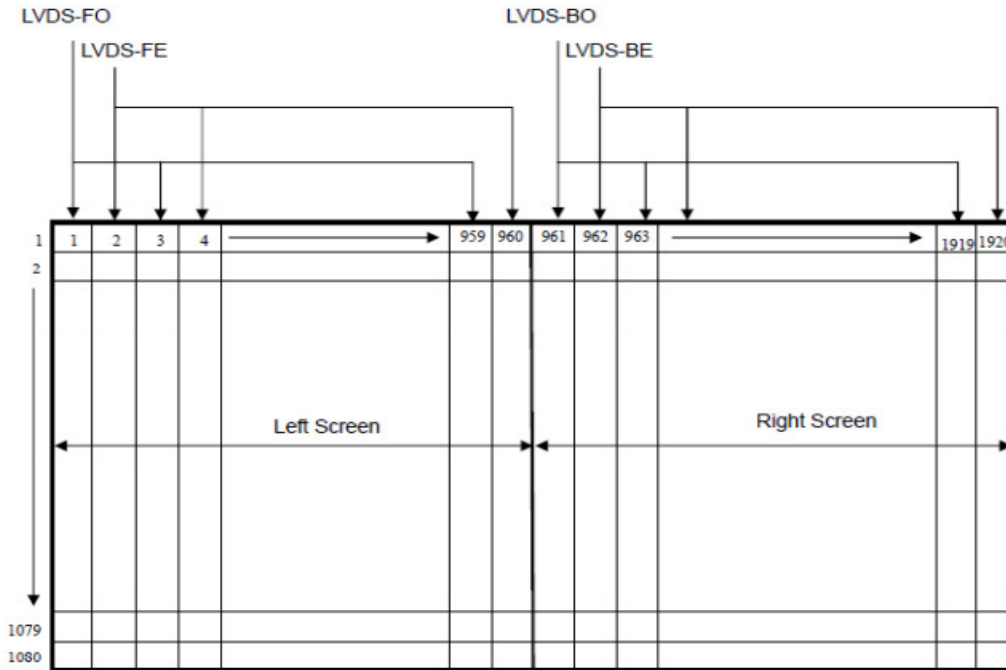
Note 3 : Definition of life time : brightness becomes 50% of its original value. The minimum life time of LED unit is on the condition of $I_{R_{LED}} = 20mA$ and $25\pm 2^{\circ}C$ (Room temperature).

Note 4: Each LED light bar consists of 72 pcs LED package (4 strings x 18 pcs / string).

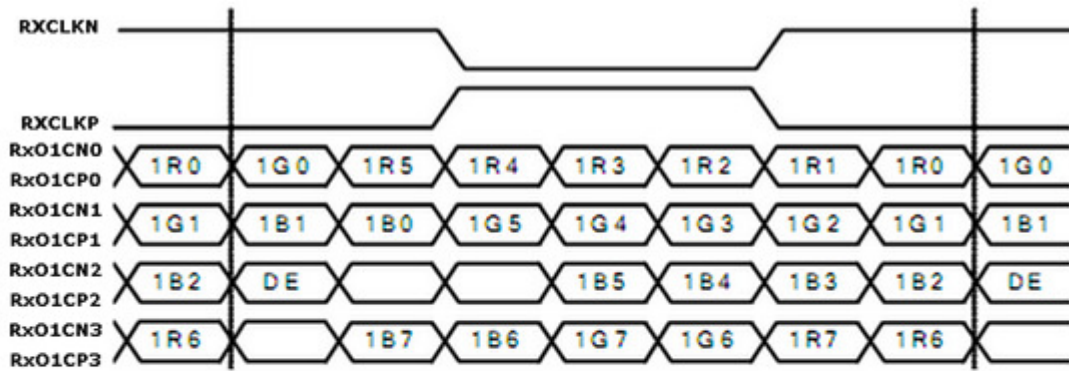
6.0 Signal Characteristic

6.1 Pixel Format Image

Following figure shows the relationship of the input signals and LCD pixel format.



6.2 The input data format



Note 1: R/G/B data 7:MSB, R/G/B data 0:LSB O = "Odd Pixel Data" E = "Even Pixel Data"

6.3 Signal Description

The module using one LVDS receiver SN75LVDS82(Texas Instruments). LVDS is a differential signal technology for LCD interface and high speed data transfer device. LVDS transmitters shall be SN75LVDS83(negative edge sampling). The first/third LVDS port(RxOxxx) transmits odd pixels while the second/fourth LVDS port(RxExxx) transmits even pixels.

Pin number	Signal name	Description
1	RxO1CN0	F path_ Negative LVDS differential data input (Odd data)
2	RxO1CP0	F path_ Positive LVDS differential data input (Odd data)
3	RxO1CN1	F path_ Negative LVDS differential data input (Odd data)
4	RxO1CP1	F path_ Positive LVDS differential data input (Odd data)
5	RxO1CN2	F path_ Negative LVDS differential data input (Odd data)
6	RxO1CP2	F path_ Positive LVDS differential data input (Odd data)
7	GND	Power Ground
8	RxO1CCLKN	F path_ Negative LVDS differential clock input (Odd clock)
9	RxO1CCLKP	F path_ Positive LVDS differential clock input (Odd clock)
10	GND	Power Ground
11	RxO1CN3	F path_ Negative LVDS differential data input (Odd data)
12	RxO1CP3	F path_ Positive LVDS differential data input (Odd data)
13	GND	Power Ground
14	RxE2CN0	F path_ Negative LVDS differential data input (Even data)
15	RxE2CP0	F path_ Positive LVDS differential data input (Even data)
16	RxE2CN1	F path_ Negative LVDS differential data input (Even data)
17	RxE2CP1	F path_ Positive LVDS differential data input (Even data)
18	RxE2CN2	F path_ Negative LVDS differential data input (Even data)
19	RxE2CP2	F path_ Positive LVDS differential data input (Even data)
20	GND	Power Ground
21	RxE2CCLKN	F path_ Negative LVDS differential clock input (Even clock)
22	RxE2CCLKP	F path_ Positive LVDS differential clock input (Even clock)
23	GND	Power Ground
24	RxE2CN3	F path_ Negative LVDS differential data input (Even data)
25	RxE2CP3	F path_ Positive LVDS differential data input (Even data)
26	GND	Power Ground
27	RxO3CN0	B path_ Negative LVDS differential data input (Odd data)
28	RxO3CP0	B path_ Positive LVDS differential data input (Odd data)
29	RxO3CN1	B path_ Negative LVDS differential data input (Odd data)
30	RxO3CP1	B path_ Positive LVDS differential data input (Odd data)
31	RxO3CN2	B path_ Negative LVDS differential data input (Odd data)
32	RxO3CP2	B path_ Positive LVDS differential data input (Odd data)
33	GND	Power Ground
34	RxO3CCLKN	B path_ Negative LVDS differential clock input (Odd clock)
35	RxO3CCLKP	B path_ Positive LVDS differential clock input (Odd clock)
36	GND	Power Ground
37	RxO3CN3	B path_ Negative LVDS differential data input (Odd data)
38	RxO3CP3	B path_ Positive LVDS differential data input (Odd data)
39	GND	Power Ground
40	RxE4CN0	B path_ Negative LVDS differential data input (Even data)
41	RxE4CP0	B path_ Positive LVDS differential data input (Even data)
42	RxE4CN1	B path_ Negative LVDS differential data input (Even data)
43	RxE4CP1	B path_ Positive LVDS differential data input (Even data)
44	RxE4CN2	B path_ Negative LVDS differential data input (Even data)
45	RxE4CP2	B path_ Positive LVDS differential data input (Even data)



46	GND	Power Ground
47	RxE4CCLKN	B path_ Negative LVDS differential clock input (Even clock)
48	RxE4CCLKP	B path_ Positive LVDS differential clock input (Even clock)
49	GND	Power Ground
50	RxE4CN3	B path_ Negative LVDS differential data input (Even data)
51	RxE4CP3	B path_ Positive LVDS differential data input (Even data)

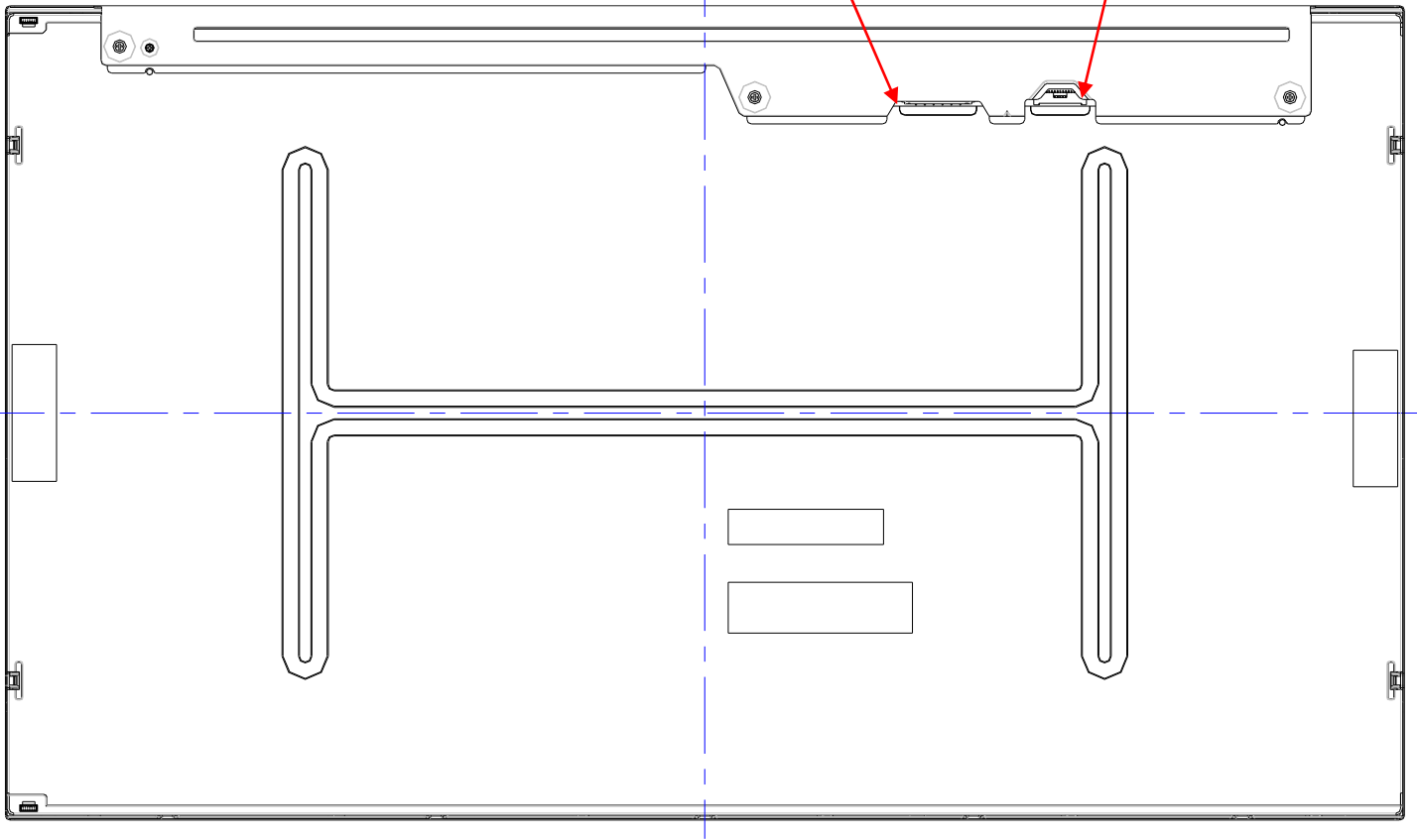
VDD

Pin number	Signal name	Description
1	NC	Do not connect
2	NC	Do not connect
3	NC	Do not connect
4	GND	Power Ground
5	GND	Power Ground
6	GND	Power Ground
7	GND	Power Ground
8	NC	Do not connect
9	NC	Do not connect
10	GND	Power Ground
11	Vcc	Power +5V
12	Vcc	Power +5V
13	Vcc	Power +5V
14	Vcc	Power +5V
15	Vcc	Power +5V

Note1: Start from left side

LVDS C/N PIN 1

Power C/N PIN 1



Note2: Input signals of odd and even clock shall be the same timing.

6.4 Timing Characteristics

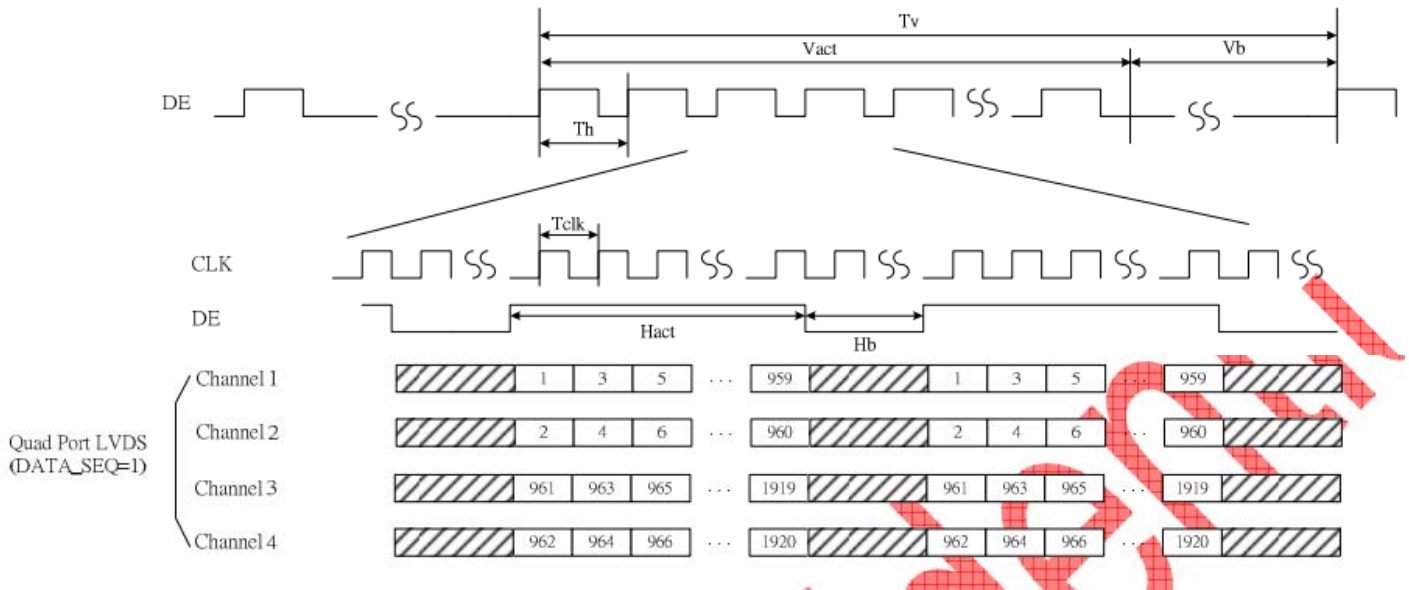
Basically, interface timing described here is not actual input timing of LCD module but close to output timing of SN75LVDS82DGG (Texas Instruments) or equivalent.

Signal	Item	Symbol	Min	Typ	Max	Unit
Vertical Section	Period	T_v	1088	1130	1715	Th
	Active	$T_{disp(v)}$	1080	1080	1080	Th
	Blanking	$T_{bp(v)}+T_{fp(v)}+PW_{vs}$	8	50	635	Th
Horizontal Section	Period	T_h	510	560	600	Tclk
	Active	$T_{disp(h)}$	480	480	480	Tclk
	Blanking	$T_{bp(h)}+T_{fp(h)}+PW_{hs}$	30 <Note2>	80	120	Tclk
Clock	Period	Tclk	10.2	13.1	31.2	ns
	Frequency	Freq	32	75.9	98 <Note2>	MHz
Frame rate	Frame rate	F	-	-	120	Hz

Note1 : DE mode only

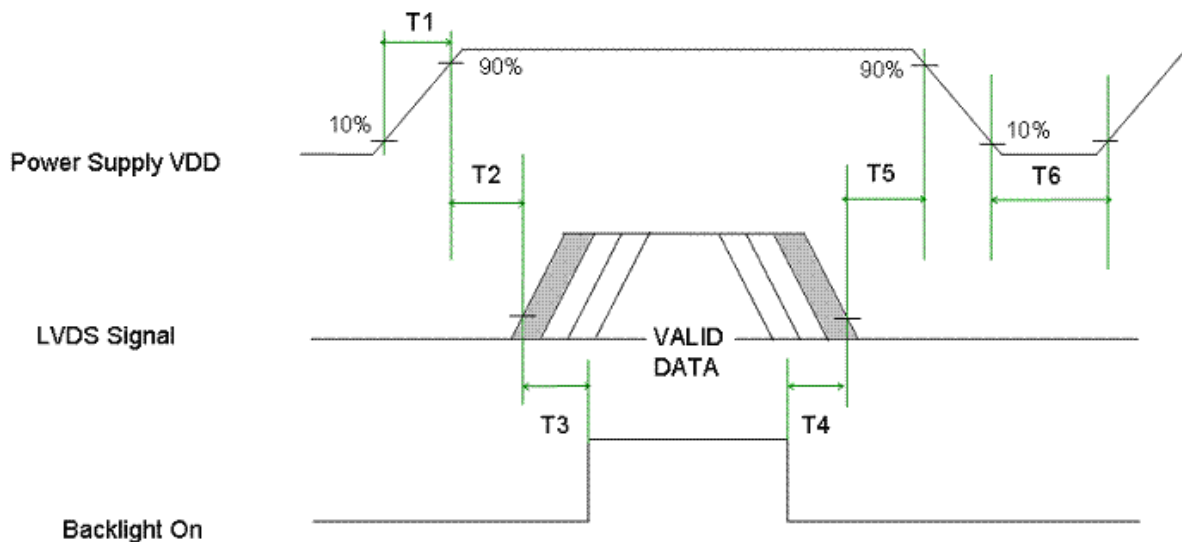
Note2 : OD function turn off

6.5 Timing diagram



6.6 Power ON/OFF Sequence

VDD power and lamp on/off sequence are as follows. Interface signals are also shown in the chart. Signals from any system shall be Hi-Z state or low level when VDD is off.





Product Specification

M270HW02 V2

AU OPTRONICS CORPORATION

Parameter	Value		Unit
	Min.	Max.	
T1	0.5	10	[msec]
T2	0	50	[msec]
T3	500	-	[msec]
T4	200	-	[msec]
T5	0	50	[msec]
T6	1000	-	[msec]

7.0 Connector & Pin Assignment

Physical interface is described as for the connector on module. These connectors are capable of accommodating the following signals and will be following components.

7.1 TFT LCD Module

LVDS

Connector Name / Designation	Interface Connector / Interface card
Manufacturer	JAE or compatible
Type Part Number	FI-RE51S-HF
Mating Housing Part Number	JAE FI-RE51HL

VDD

Connector Name / Designation	Interface Connector / Interface card
Manufacturer	P-TWO or compatible
Type Part Number	185132-15021
Mating Housing Part Number	Yeon-Ho 12507HS-15L

7.1.1 Pin Assignment

LVDS

Pin number	Signal name	Pin number	Signal name
1	RxO1CN0	26	GND
2	RxO1CP0	27	RxO3CN0
3	RxO1CN1	28	RxO3CP0
4	RxO1CP1	29	RxO3CN1
5	RxO1CN2	30	RxO3CP1
6	RxO1CP2	31	RxO3CN2
7	GND	32	RxO3CP2
8	RxO1CCLKN	33	GND
9	RxO1CCLKP	34	RxO3CCLKN
10	GND	35	RxO3CCLKP
11	RxO1CN3	36	GND
12	RxO1CP3	37	RxO3CN3

13	GND	38	RxO3CP3
14	RxE2CN0	39	GND
15	RxE2CP0	40	RxE4CN0
16	RxE2CN1	41	RxE4CP0
17	RxE2CP1	42	RxE4CN1
18	RxE2CN2	43	RxE4CP1
19	RxE2CP2	44	RxE4CN2
20	GND	45	RxE4CP2
21	RxE2CCLKN	46	GND
22	RxE2CCLKP	47	RxE4CCLKN
23	GND	48	RxE4CCLKP
24	RxE2CN3	49	GND
25	RxE2CP3	50	RxE4CN3
		51	RxE4CP3

Vcc

Pin number	Signal name	Pin	Signal name
1	NC	9	NC
2	NC	10	GND
3	NC	11	Vcc
4	GND	12	Vcc
5	GND	13	Vcc
6	GND	14	Vcc
7	GND	15	Vcc
8	NC		

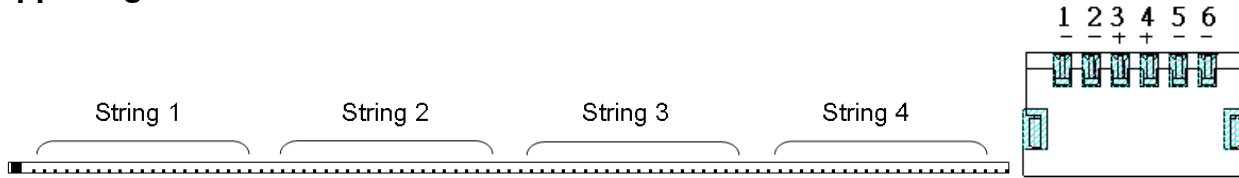
7.2 Connector on Backlight Unit.

This connector is mounted on LED light-bar.

Connector Name / Designation	Light Bar Connector
Manufacturer	ENTERY INDUSTRIAL CO., LTD.
Type Part Number	3707K-Q06N-01R

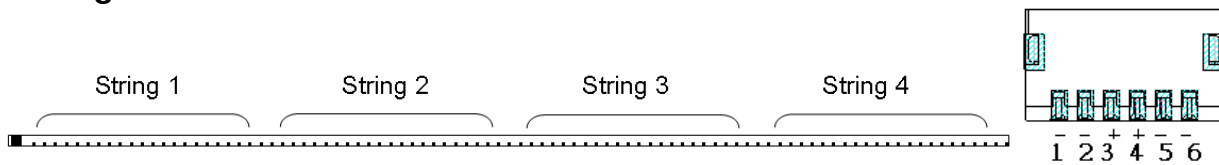
7.2.1 Pin assignment

Upper Light Bar



Pin no.	Signal name
1	IRLED (current out) String 1
2	IRLED (current out) String 2
3	VLED (voltage in)
4	VLED (voltage in)
5	IRLED (current out) String 3
6	IRLED (current out) String 4

Lower Light Bar



Pin no.	Signal name
1	IRLED (current out) String 4
2	IRLED (current out) String 3
3	VLED (voltage in)
4	VLED (voltage in)
5	IRLED (current out) String 2
6	IRLED (current out) String 1



8.0 Reliability Test

Environment test conditions are listed as following table.

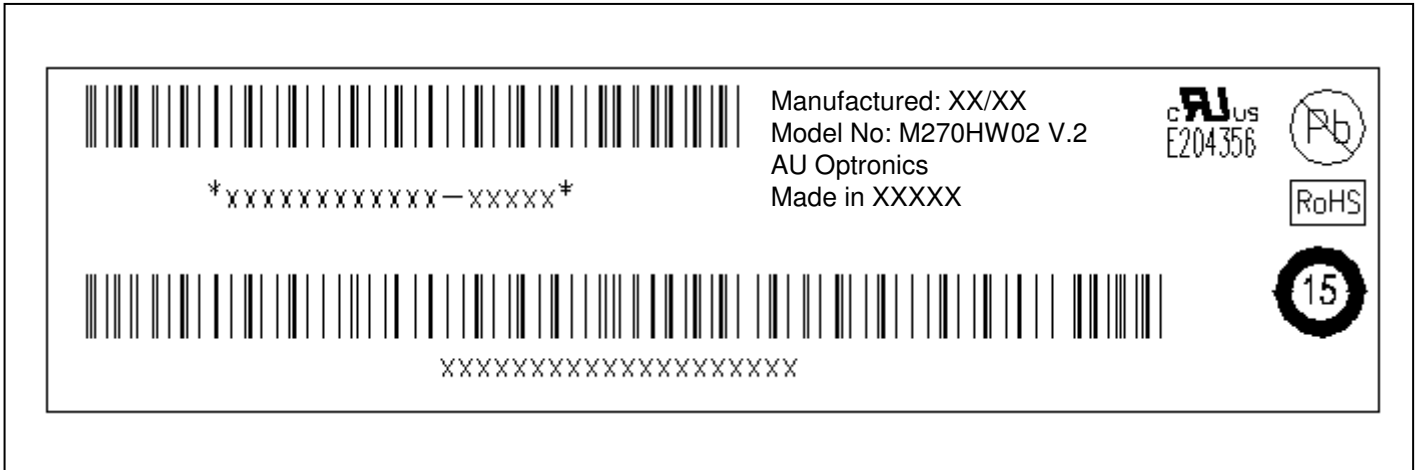
Items	Required Condition	Note
Temperature Humidity Bias (THB)	Ta= 50°C , 80%RH, 300hours	
High Temperature Operation (HTO)	Ta= 50°C , 50%RH, 300hours	
Low Temperature Operation (LTO)	Ta= 0°C , 300hours	
High Temperature Storage (HTS)	Ta= 60°C , 300hours	
Low Temperature Storage (LTS)	Ta= -20°C , 300hours	
Vibration Test (Non-operation)	Acceleration: 1.5 Grms Wave: Random Frequency: 10 - 200 Hz Duration: 30 Minutes each Axis (X, Y, Z)	
Shock Test (Non-operation)	Acceleration: 50 G Wave: Half-sine Active Time: 20 ms Direction: ±X, ±Y, ±Z (one time for each Axis)	
Drop Test	Height: 46 cm, package test	
Thermal Shock Test (TST)	-20°C/30min, 60°C/30min, 100 cycles	1
On/Off Test	On/10sec, Off/10sec, 30,000 cycles	
ESD (Electro Static Discharge)	Contact Discharge: ± 8KV, 150pF(330Ω) 1sec, 15 points, 25 times/ point.	2
	Air Discharge: ± 15KV, 150pF(330Ω) 1sec 15 points, 25 times/ point.	
Altitude Test	Operation:10,000 ft Non-Operation:30,000 ft	

Note 1: The TFT-LCD module will not sustain damage after being subjected to 100 cycles of rapid temperature change. A cycle of rapid temperature change consists of varying the temperature from -20°C to 60°C, and back again. Power is not applied during the test. After temperature cycling, the unit is placed in normal room ambient for at least 4 hours before power on.


Note 2: EN61000-4-2, ESD class B: Certain performance degradation allowed
No data lost
Self-recoverable
No hardware failures.

9.0 Shipping Label

The label is on the panel as shown below:



Note 1: For Pb Free products, AUO will add  for identification.

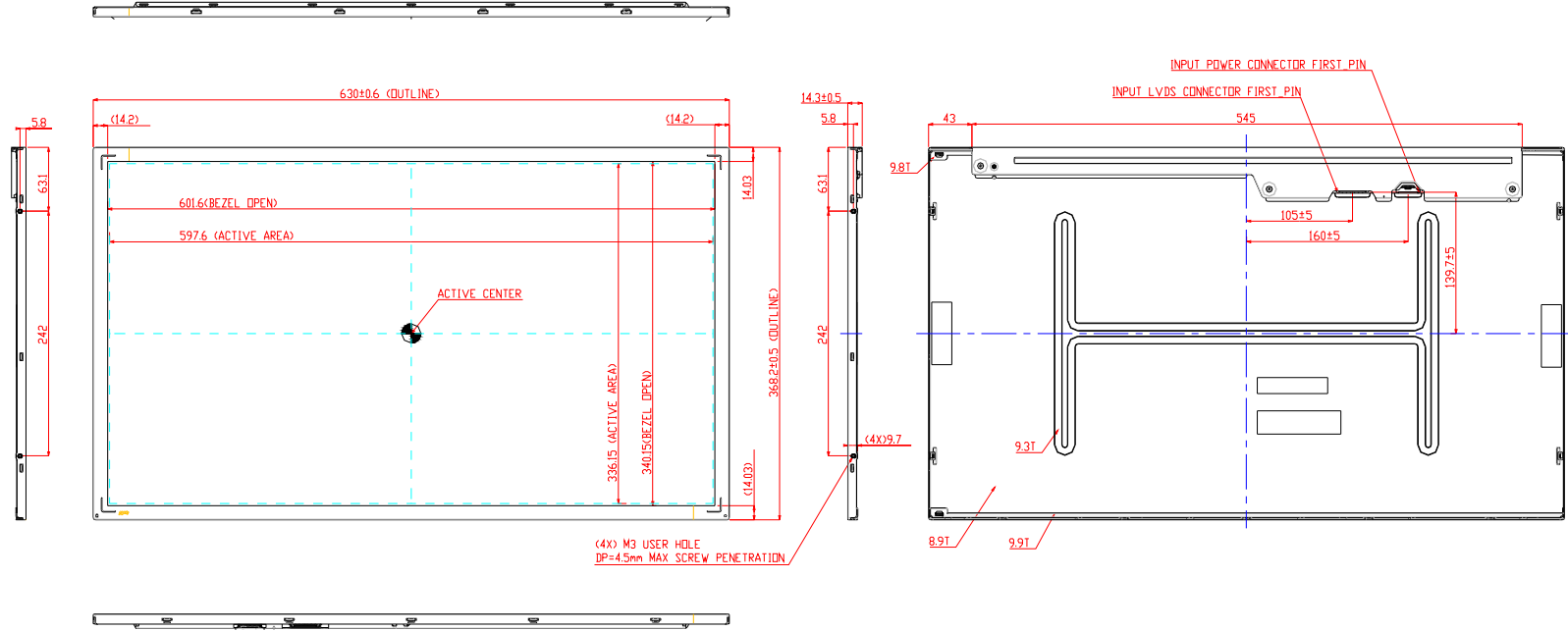
Note 2: For RoHS compatible products, AUO will add  for identification.

Note 3: For China RoHS compatible products, AUO will add  for identification.

Note 4: The Green Mark will be presented only when the green documents have been ready by AUO Internal Green Team.

10.0 Mechanical Characteristics

- NOTE:
 1.PRELIMINARY DRAWING FOR REFERENCE ONLY.
 2.THE DIMENSION EXCLUDES DEFORMATION.
 3.MODULE THICKNESS TO BE $14.3\pm 0.5\text{mm}$.
 4.UNSPECIFIED TOLERANCE MUST FOLLOW TOLERANCE TABLE.
 5.LVDS CONNECTOR TO BE P-TW0 185132-15021 OR AUD APPROVED.
 6.POWER CONNECTOR TO BE JAE F1-RE51S-HF OR AUD APPROVED.
 7.USER HOLE SCREW TORQUE 5.0kgf-cm MAX.
 8.USER HOLE SCREW PENETRATION 4.5mm MAX.



REV	REV NO	DESCRIPTION	DATE	BY

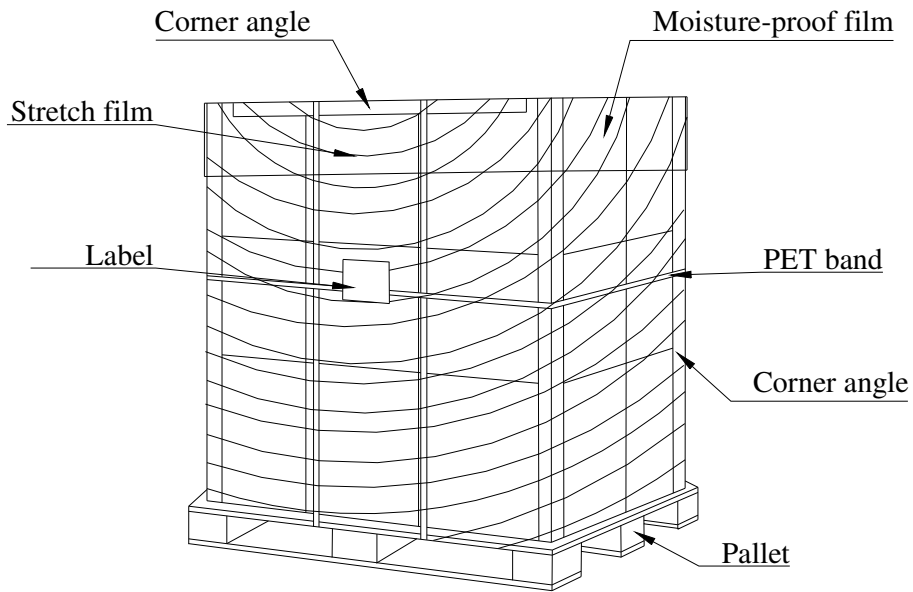
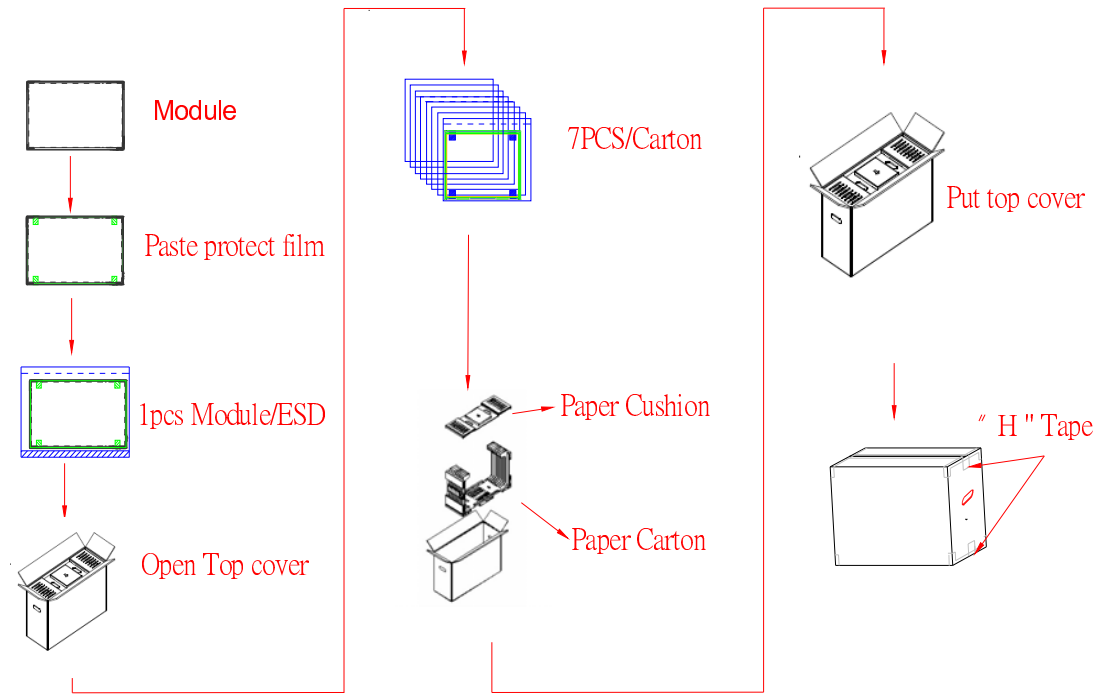
This drawing is the property of AU Optoelectronics Corp. and should not be disclosed to any third party without prior permission of AU Optoelectronics Corp.

NO	LEVEL	DESCRIPTION	DATE	BY

General Tolerances	Metric	ASME Y14.5M	DATE	SCALE	1:200	FILE	APPEARANCE_DRAWING
UNLESS OTHERWISE SPECIFIED							
LEVEL							
DECIMAL							
INCHES							
FRAC							
DECIMAL							
INCHES							

Report No: 20170407
AU AU Optoelectronics
 DATE: 14/11/17
 BY: [Signature]
 CHECKED: [Signature]

11. Packing Specification



- Pallet and shipment information

	Item	Specification			Remark
		Q'ty	Dimension	Weight(kg)	
1	Panel	1	630(H)mm x 368.2(V)mm x 11.5(D)mm	2.9	
2	Cushion	1	-	2.965	
3	Box	1	715(L)mm x 261(W)mm x 455(H)mm	1.43	without Panel & cushion
4	Packing Box	7 pcs/Box	715(L)mm x 261(W)mm x 455(H)mm	24.695	with panel & cushion
5	Pallet	1	1070(L)mm x 74(W)mm x 13.8(H)mm	15	
6	Pallet after Packing	8boxes/pallet	1070(L)mm x 74(W)mm x 13.8(H)mm	209.56	