

Model: HC75



HIGH RATE DISCHARGE AT 77°F (25°C)

| | | | |
|--------|---------|---------|---------|
| 5 sec. | 10 sec. | 20 sec. | 30 sec. |
| 1750A | 1540A | 1400A | 1355A |

EXTENDED DISCHARGE AT 77°F (25°C) TO 10.02V

| | | | | | | |
|------|-------|-------|-------|-------|------|------|
| 5min | 15min | 1hr | 3hr | 5hr | 10hr | 20hr |
| 338A | 164A | 53.5A | 19.9A | 12.4A | 6.5A | 3.9A |

BATTERY DESIGN

- Absorbent glass mat (AGM) technology
- 12V VRLA Starting battery
- Sealed Construction (Non-Spillable Battery)
- Can be mounted in any orientation except inverted.
- US DOT and IATA certified non-spillable
- Shipped fully charged - just install and go!
- Suited for repeated discharges such as running your vehicle with winches or other electrical accessories.

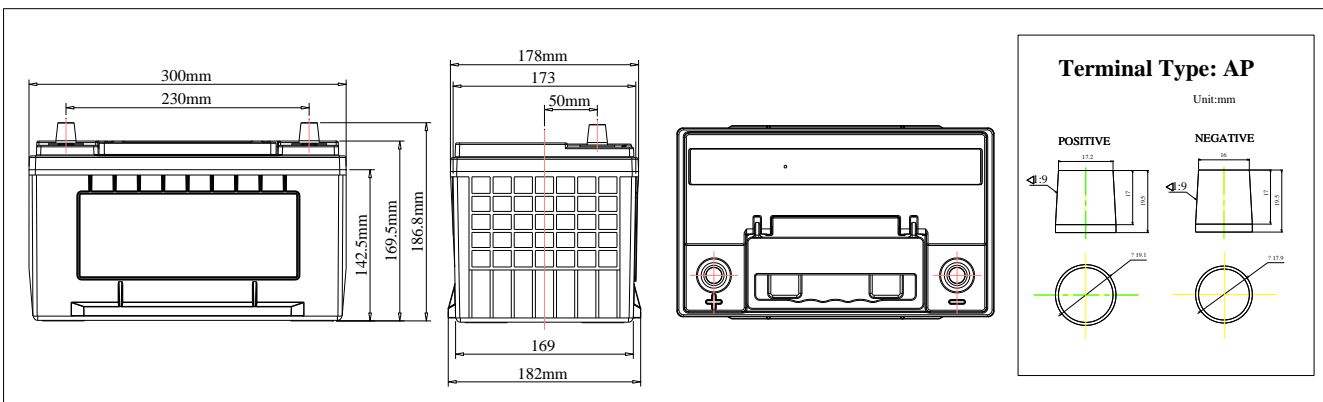
PERFORMANCE FEATURES

- PHCA: 1750A at 80°F (27°C) for 5 seconds
- CCA: 930A at 0°F (-18°C)
- CA/MCA: 1070A at 32°F (0°C)
- HCA: 1350A at 80°F (27°C)
- 75AH @20HR at 80°F (27°C):
- Reserve capacity: 142 minutes
- Short circuit current: 3500A
- Operation temperature range: -5°F (-15°C) to 122°F (50°C)

NOMINAL DIMENSIONS

| Length | | Width | | Height | | Total Height | | Weight | |
|--------|-------|-------|------|--------|------|--------------|------|--------|-------|
| mm | in | mm | in | mm | in | mm | in | kg | pound |
| 300 | 11.81 | 182 | 7.17 | 169.5 | 6.67 | 186.5 | 7.34 | 25.0 | 55.00 |

PHYSICAL CHARACTERISTICS



BATTERY CHARGING

Cycle use: 14.4-15.0V/25°C, Temperature Compensation factor: -4mV/cell/°C;

Float use: 13.5-13.8V/25°C, Temperature Compensation factor: -3mV/cell/°C.