

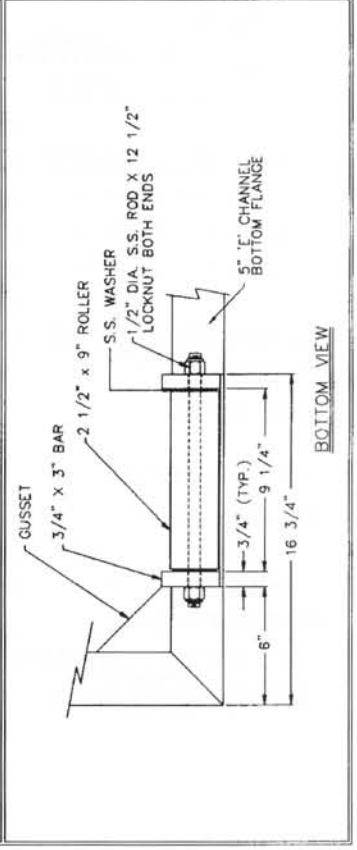
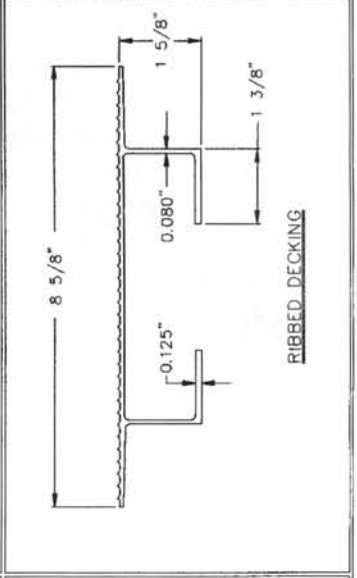
NOTES:

- 1) LIVE LOAD 50 PSF
- 2) ALL ALUMINUM 6061-T6
- 3) ALL FASTENERS 8-18 S.S.
- 4) 100% MIG WELDED CONSTRUCTION

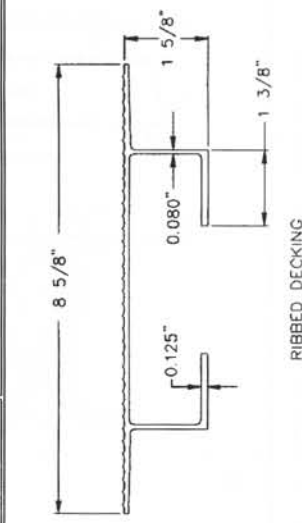
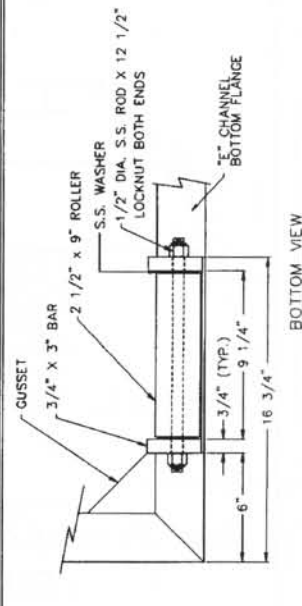
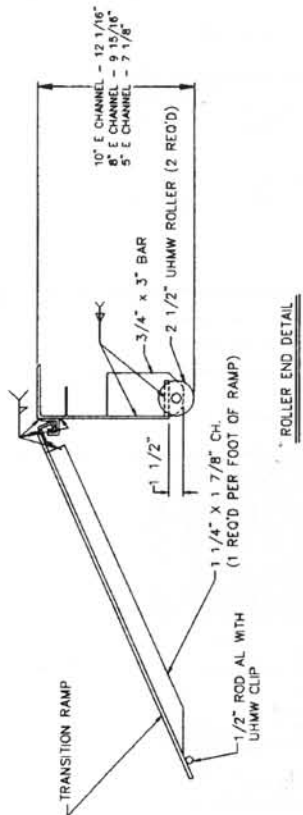
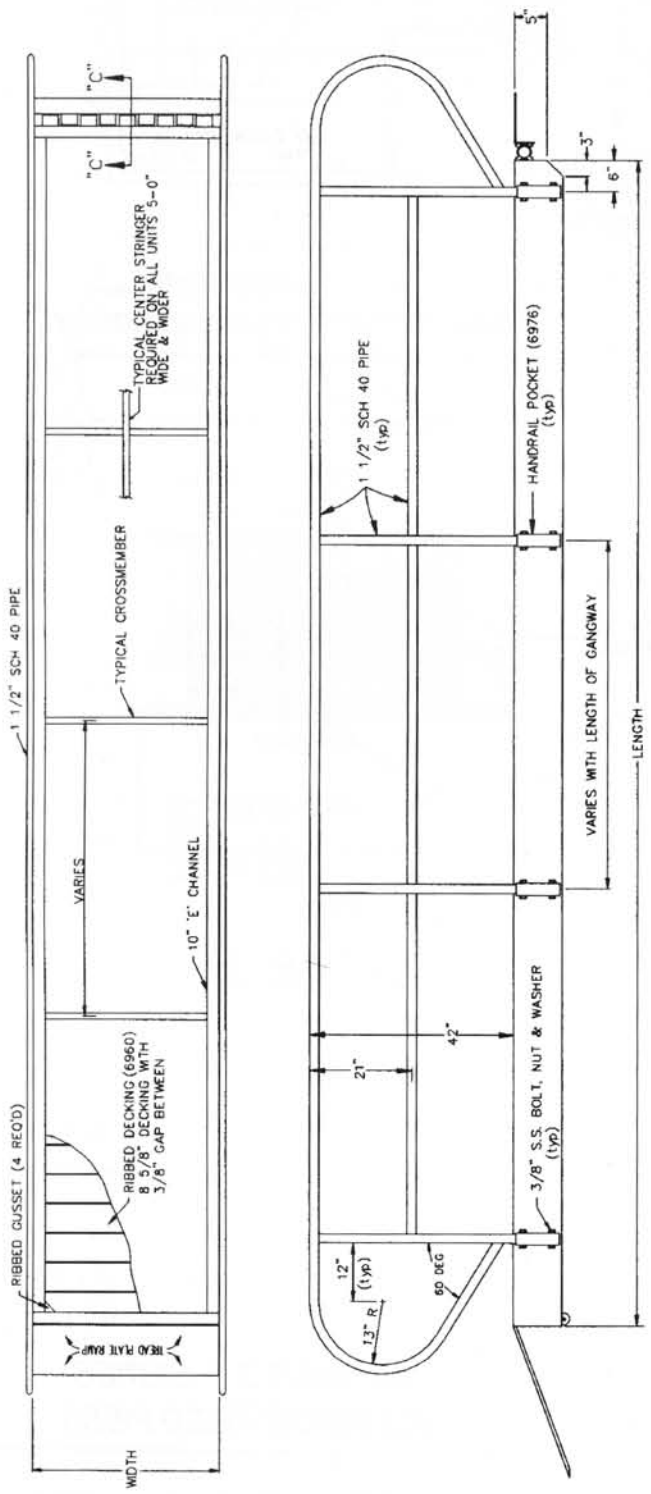
MARINER 1" STYLE GANGWAY

RAVENS MARINE, INC.

3295 OLD DIXIE HWY. KISSIMMEE, FLORIDA 34744
 (407) 935-9799 (800) 676-3023 FAX (407) 935-9436
 e-mail: ravens@ravensmarine.com commercial web: www.ravensmarine.com



PDF



THIS DRAWING AND ALL COPIES, DESIGN AND DATA SHOWN ARE THE PROPERTY OF RAVENS MARINE, INC. ORLANDO, FL USA AND INCLUDE PROPRIETARY INFORMATION OF THE BORROWER, BY RECEIPT OR RETENTION OF THE DRAWING, AGREES THAT, EXCEPT AS EXPRESSLY AUTHORIZED IN WRITING BY RAVENS MARINE, INC. IT WILL 1) NOT USE THE DRAWING OR DATA SHOWN 2) NOT REPRODUCE, COPY, OR DISTRIBUTE THE DRAWING OR ANY COPY FOR USE BY OTHERS AND 3) UPON DEMAND RETURN THE DRAWINGS, ALL COPIES AND MATERIAL COPIED THEREFROM

- NOTES:
- 1) ALL MATERIAL IS 6061-T6 ALUMINUM
 - 2) ALL FASTENERS B-18 STAINLESS STEEL
 - 3) LIVE LOAD 50 PSF
 - 4) HANDRAILS ARE REMOVEABLE

MARINER 2ND STYLE GANGWAY

RAVENS MARINE, INC.
 3295 OLD DIXIE HWY., KISSIMMEE, FLORIDA 34744
 (407) 935-9799 (800) 676-3023 FAX (407) 935-9436
 e-mail: ravensmarine.com commercial web: www.ravensmarine.com