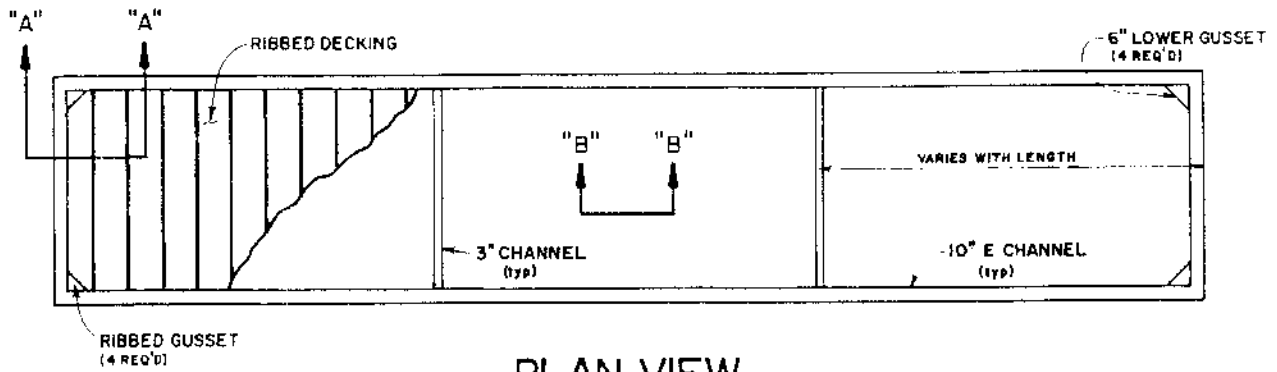


**MARINER I™ SERIES
ALUMINUM FIXED PIERS**

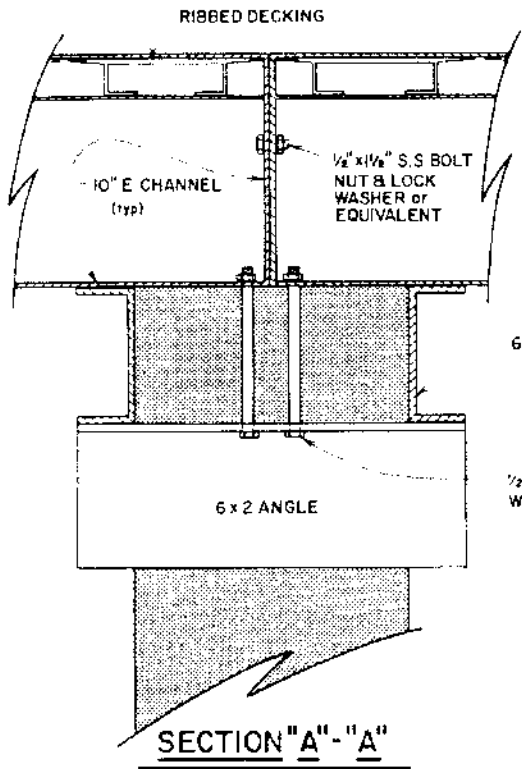
RAVENS MARINE, INC.

3295 OLD DIXIE HWY., KISSIMMEE, FLORIDA 34744
(407) 935-9799 (800) 676-3023 FAX (407) 935-9436
e-mail: ravens@ravensmarine.com commercial web: www.ravensmarine.com

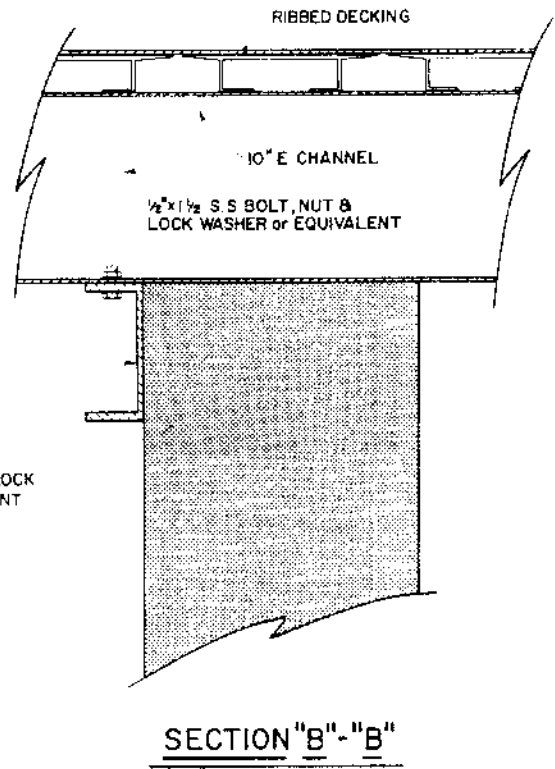


PLAN VIEW

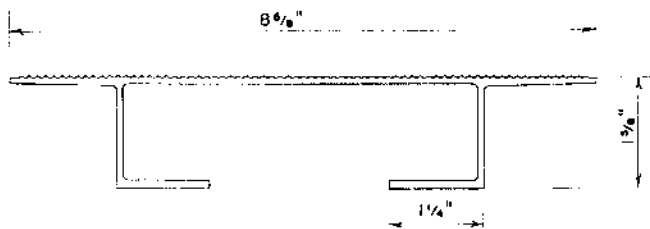
(5' or under)



SECTION "A" - "A"



SECTION "B" - "B"



RIBBED DECKING

NOTE:
GAP BETWEEN DECKING
IS NOT TO EXCEED 3/8"

**MARINER I™ SERIES
ALUMINUM FIXED PIERS**

RAVENS MARINE, INC.

3295 OLD DIXIE HWY., KISSIMMEE, FLORIDA 34744
(407) 935-9799 (800) 676-3023 FAX (407) 935-9436
e-Mail: ravens@ravensmarine.com our nearest web: www.ravensmarine.com