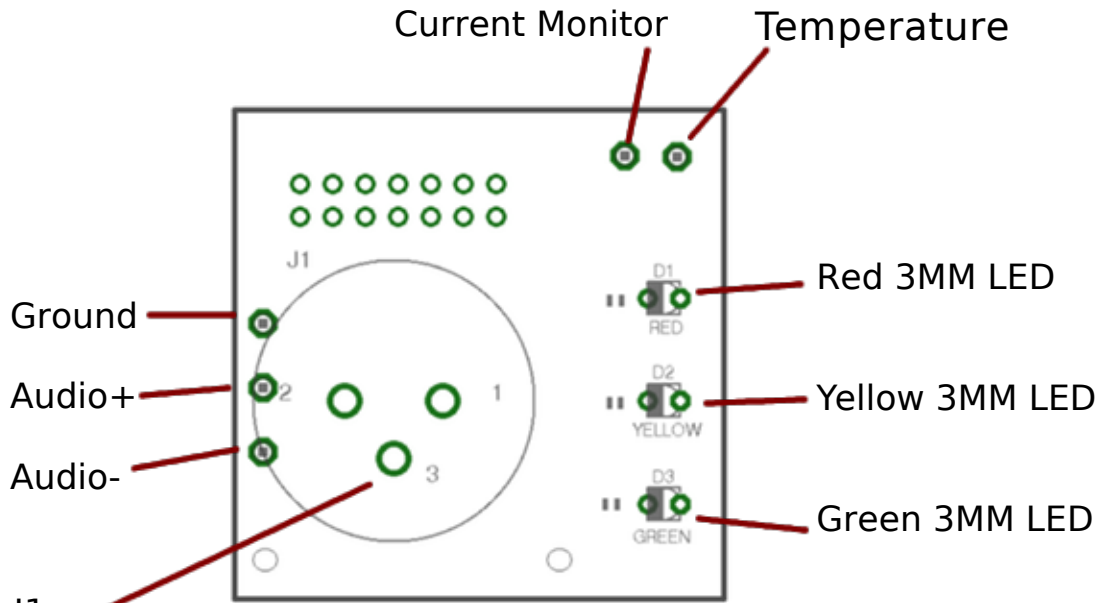
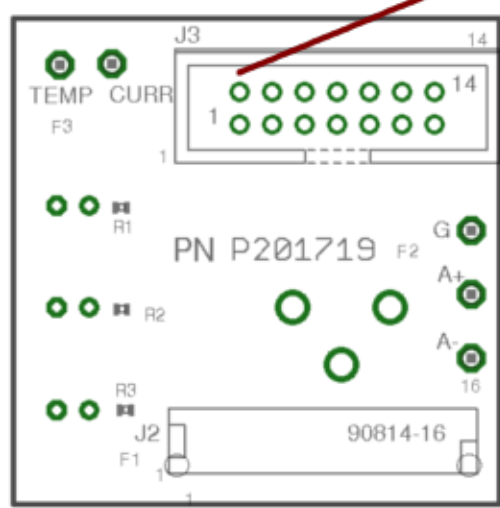


XLR Input



- J1
1: Ground
2: Audio+
3: Audio-

View Component Side



- J3 Amp Signal (3M: 30314-6002HB)
- 1: Ground
2: Audio+
3: Audio-
4: Ground
5: +15 Vdc
6: -15 Vdc
7: Ground
8: Cur Mon
9: Temp Mon
10: Protect
11: Disable
12: Clip
13: +5 Vdc
14: -5Vdc

View Solder Side