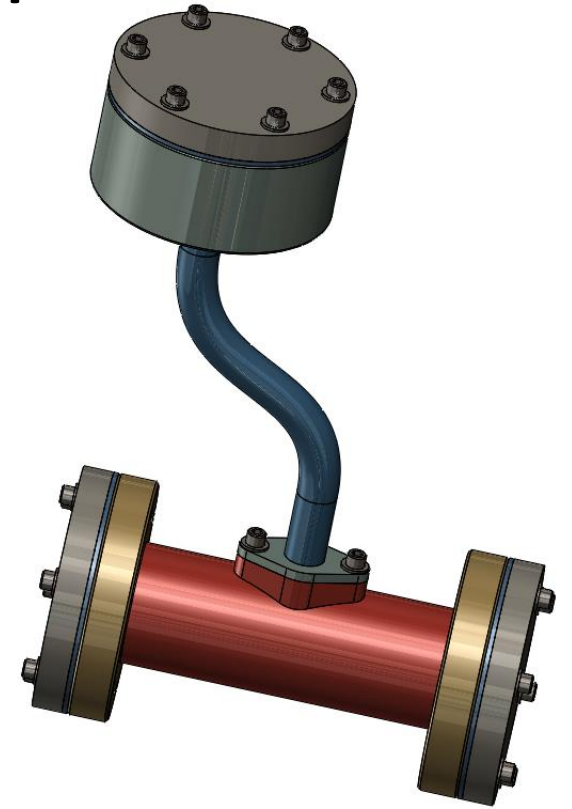
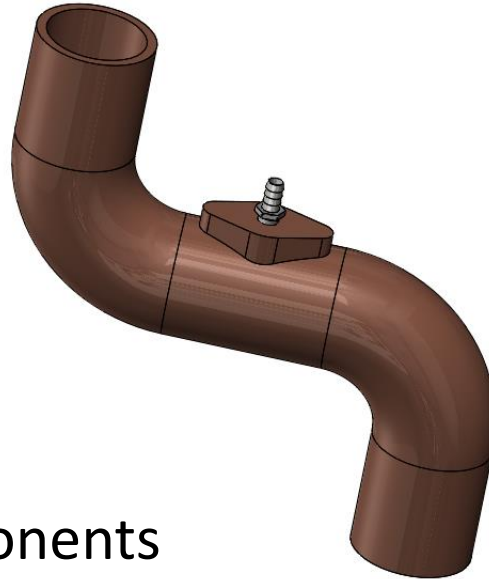


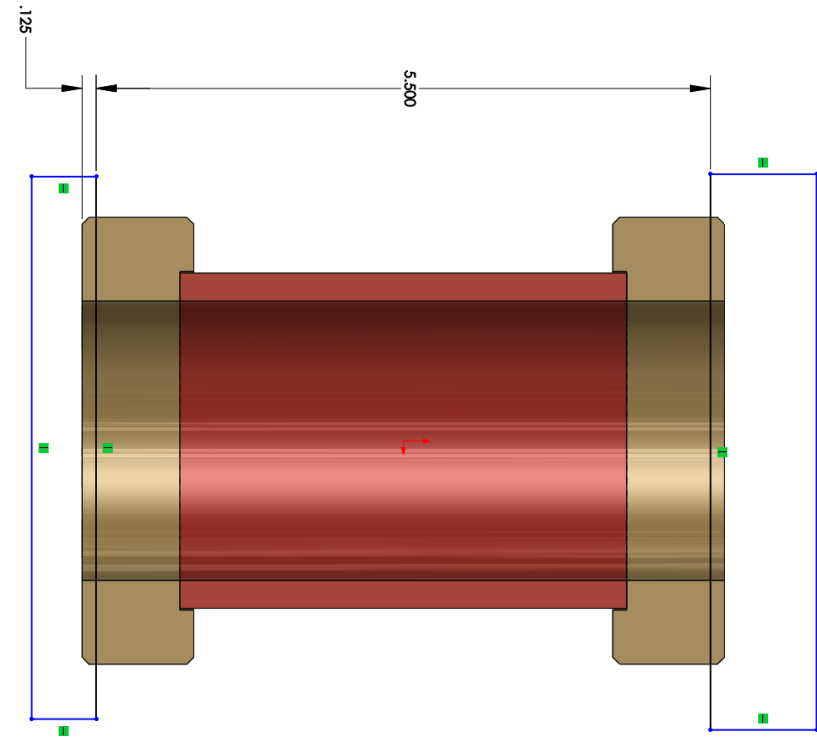
Top Down Assembly Modeling Refresher

- Assembly Features (Cut Extrude)
- In-Context Features
- External References
- Derived Sketch in an Assembly
- Smart Fasteners
- Inserting a New Component
- Virtual Components / External Components
- InPlace Mates
- Assembly Features (New and Existing Hole Series)
- Smart Components



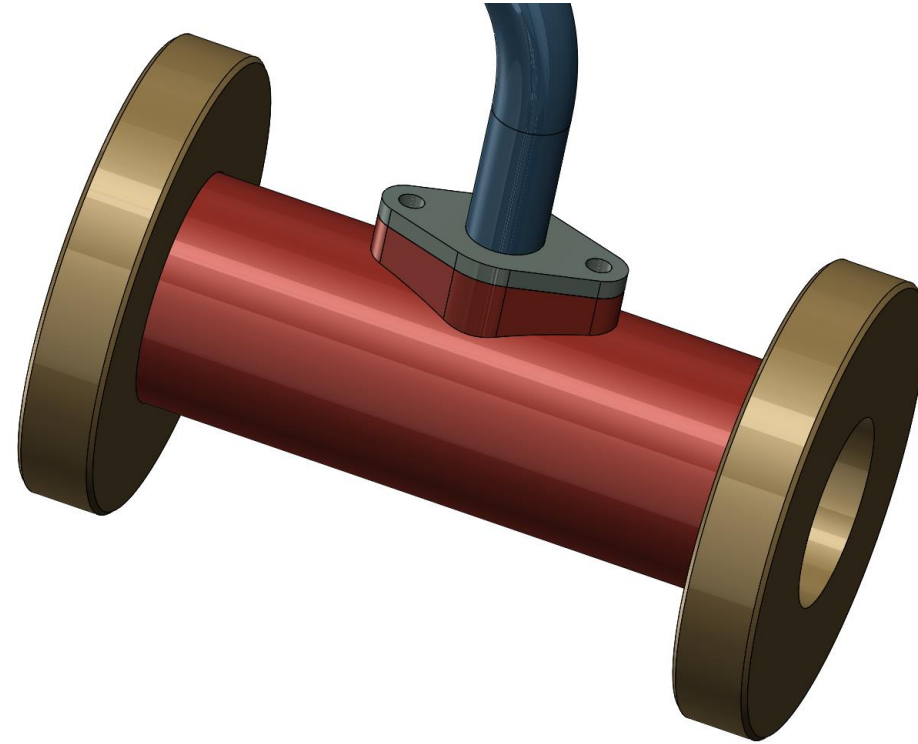
Assembly Features

- *Insert, Assembly Features, Cut, Extrude*
- Cut Extrude Overall Length



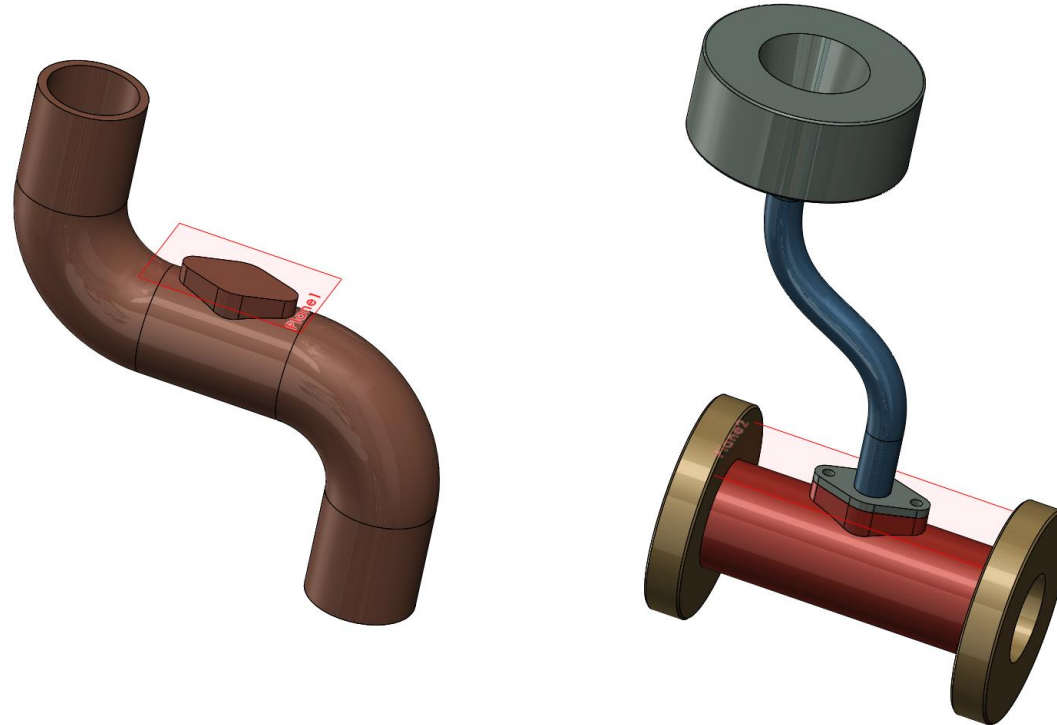
In-Context Features

- *Edit Part, Edit Assembly*
- Boss on Tube1
 - **Sketch Planes**, Sketch Relations
 - External References
 - Update Holders ->, -> ?
 - Locking / Unlocking -> *
 - Breaking -> x
 - Removing
 - **Feature References**, Sketch Relations



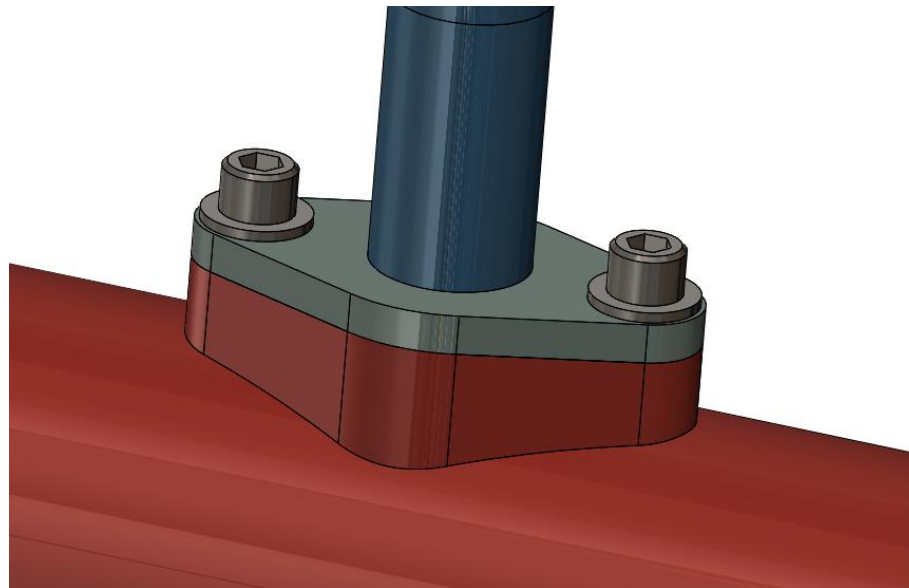
Derived Sketch, Un-derive Sketch

- *Insert, Derived Sketch*
- Add feature to Tube3



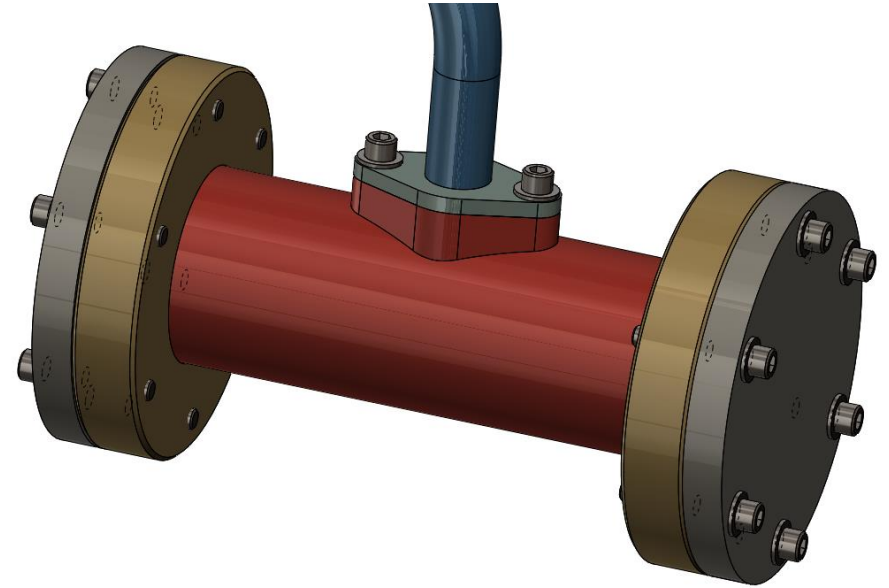
Smart Fasteners

- *Insert, Smart Fasteners*
- Add fasteners to Tube2 to Tube1 flange



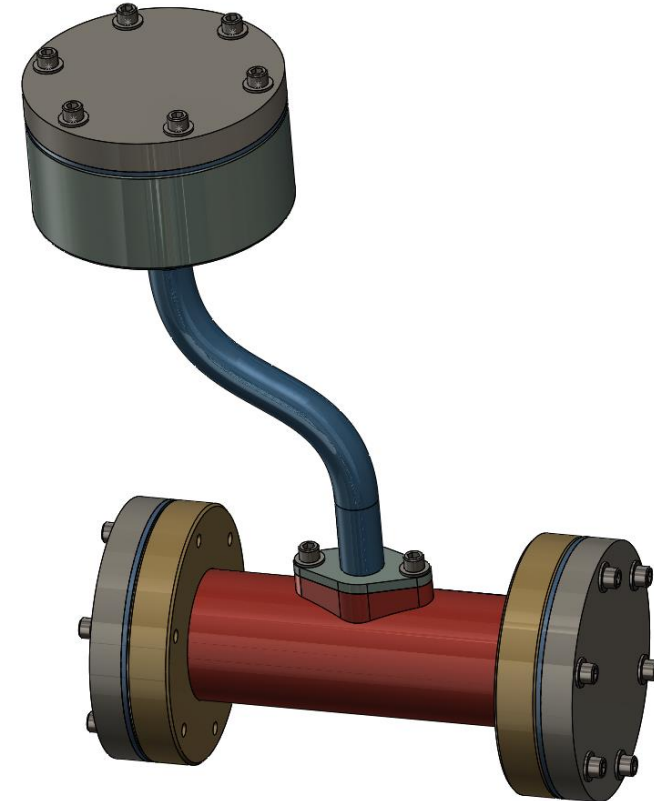
Inserting a New Component

- *Insert, Component, New*
- Sketch Planes, Sketch Relations
- Virtual Components / External Components
- New Hole Series, Smart Fasteners (specify End Component)
- InPlace Mates, Insert another instance, Smart Fasteners



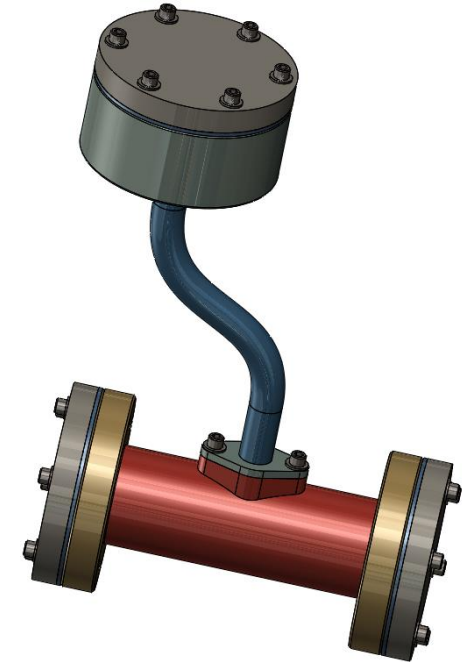
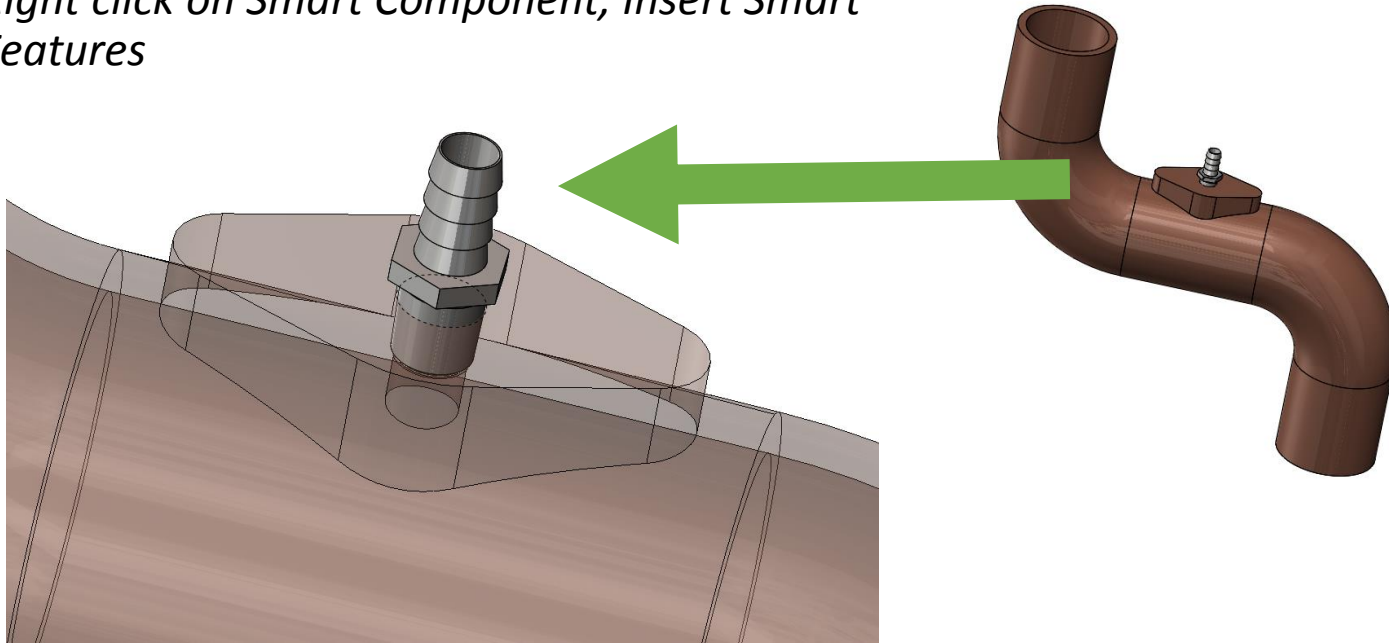
Assembly Feature, Holes Series

- Another Instance of Endcap1 and Gasket
- *Insert, Assembly Feature, Hole, Hole Series, Use Existing Hole(s)*



Insert Smart Component

- *Create Assembly of Components*
- *Tools, Make Smart Component*
- *Insert and mate Smart Component into assembly*
- *Right click on Smart Component, Insert Smart Features*



Top Down Assembly Modeling Refresher

Phil Sluder

sluder@triaxialdesign.com

(619) 787-8725

