

Scensible Source Company Technical Data	SCENSIBLES® Combination Dispenser Receptacle Units	CDW White Plastic CDSS Stainless Steel
--	---	---

Description: All-in-one units-dispenser for SCENSIBLES feminine hygiene disposal bags and stall waste receptacle
 Easy and convenient refilling
 Holds single pack box of 50 SCENSIBLES interleaved bags
 Disposable liner bags available for each unit

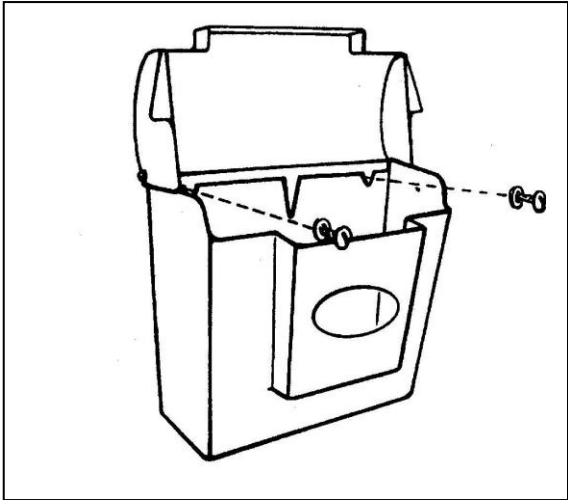
Material:

Polypropylene: CDW
 White
 Surface Mounted
 Cover flips up for disposal and servicing
 Removable leak proof plastic receptacle
 Scensibles refill box fits molded holder
 Dimensions: 11 1/2" x 9 3/4" x 12"



Refilling: Access to molded front box holder by removing plastic receptacle

Installation: Screws/washers and wall mounting template provided



Stainless Steel with satin finish: CDSS

Surface mounted
22-gauge, type 304 stainless steel with satin finish
Stainless steel piano hinge
All welded construction
Cover flips up for disposal and servicing
Scensibles refill box held in place with metal bracket
Dimensions: 11" x 8" x 4"



Refilling: Metal bracket box holder

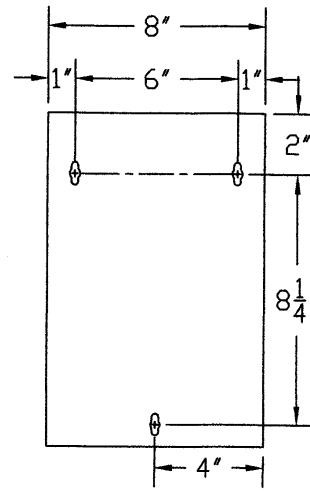
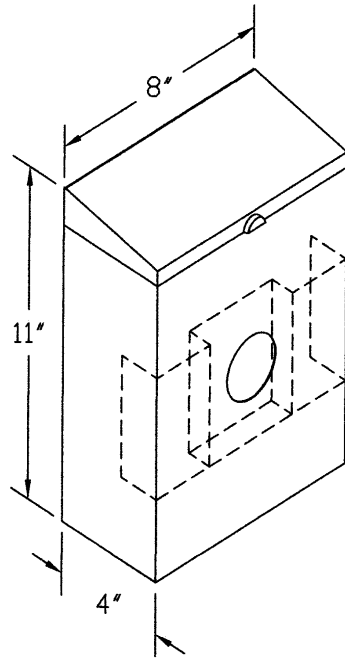
Installation:

For partitions with particle-board or other solid core, secure with two #8 x 3/4" (4.2 x 19mm) sheet-metal screws (furnished) at all points indicated by an *S*, or provide through-bolts, nuts, and washers.

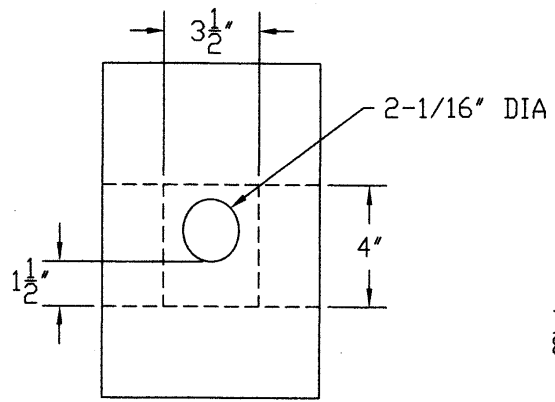
For hollow-core metal partitions, provide solid backing into which sheet-metal screws can be secured. If two units are installed back-to-back, then provide threaded sleeves and machine screws for the full thickness of partition.

For masonry walls, provide fiber plugs or expansion shields for use with sheet-metal screws, or provide 3/16" (5mm) toggle bolts or expansion bolts.

For plaster or dry wall construction, provide concealed backing to comply with local building codes, then secure unit with sheet-metal screws.



MOUNTING



FRONT

