

HEAT & GLO™



DESIGNED | *to inspire*

6000/8000 C SERIES

Direct Vent Gas Fireplaces

6000/8000 C SERIES

The perfect combination
of flame, glow and lighting.

It's the product line that started it all. In 1987, the 6000 Series introduced direct-vent gas technology to fireplaces, making it the most sought-after product on the market. Today, the new 6000 C Series continues to combine beautiful design with the latest innovations. With an impressive selection of mantels, fronts, and finishes at a range of prices, the best just keeps getting better.



Cover: 6000CLX shown with Chateau Forge front, Portico mantel and Absolute Black granite.

Above: 8000CLX shown with Chateau Deluxe front in New Bronze and St. Cloud shelf mantel.



THE PERFECT COMBINATION

Featuring flame realism, glowing logs and log detail, LED accent lighting and LED illuminated ember beds, the C Series is truly the perfect combination of flame, glow and lighting. 6000CL shown above with Galleria front in New Bronze, Sonoma mantel and caledonia granite.



WIDEST SELECTION OF FRONTS AND MANTELS

We offer the largest array of trend-right, cast and wood UL-certified and safety tested fronts and mantels that carry through the entire 6000/8000 C Series line. 8000CL shown above with Halston front in black and Biltmore cast mantel in machiatto.



HEAT CONTROL FOR YEAR-ROUND USE

50% turndown (flame and heat) or up to 100% turndown (with our CL and CLX models) via accent lighting only. 8000CL shown above with Clean Face kit and Biltmore mantel in beige.

PROMOTING SUSTAINABLE HOME LIVING

Direct Vent Technology maintains indoor air quality by preventing carbon monoxide, nitrogen dioxide and excess moisture from entering the home.

IntelliFire Plus™ Ignition System features intermittent-pilot-ignition (IPI) allowing you to conserve fuel and money when the fireplace is not in use.

LED Accent Lighting is highly efficient and has a 10-year life cycle, costing pennies a day for year-round use.

Zone Heating allows you to heat the rooms you are in most, saving money and fuel, while providing warmth where you want it.

6000/8000 C SERIES

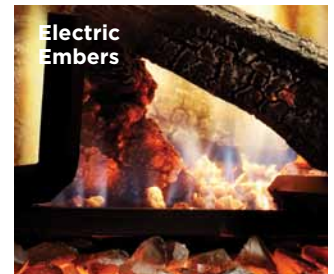


6000/8000 C SERIES

6000/8000CLX

Our flagship CLX models come with distinctive features including: Largest flame, premium logs, LED illuminated ember bed and LED accent lighting, brick refractory, our most advanced wireless control, AFUE heater rating, and a fan kit with speed control.

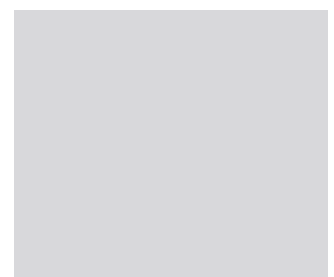
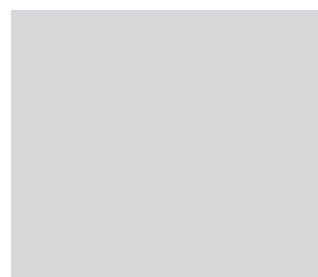
- A. 6000CLX shown with Chateau Forge front, Portico mantel and absolute black granite.
- B. 8000CLX shown with Chateau Deluxe front in New Bronze and St. Cloud shelf mantel.



6000/8000CL

The CL models include many advanced features standard, such as: Stunning flame, LED accent lighting, brick refractory, our most advanced wireless control, and AFUE heater rating.

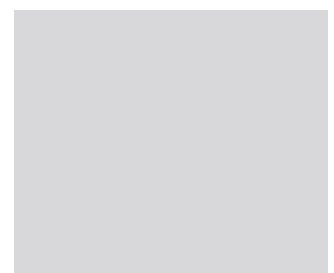
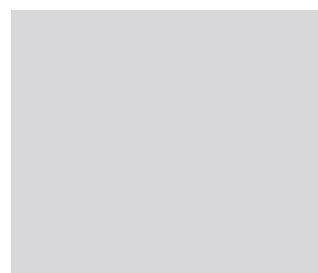
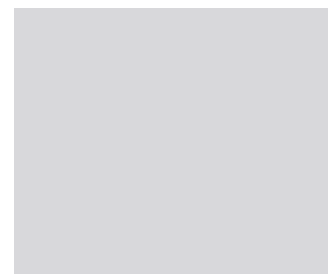
- C. 6000CL shown with Galleria front in New Bronze, Sonoma mantel and caledonia granite.
- D. 8000CL shown with Halston front in black and Biltmore cast mantel in machiatto.



6000/8000C

The C models offer an unsurpassed value with advanced technology and the perfect combination of flame and glow.

- E. 6000C shown with Arcadia front in black, Parsons mantel in custom stained alder and green granite.
- F. 8000C shown with Folio front in black, Fairfield mantel in custom painted finish and absolute black granite.



6000/8000 C SERIES

STANDARD FEATURES

The 6000/8000 C Series features great fire and glow at all three levels. The 8000 enjoys the same look, feature sets and fronts as the 6000, with increased heat output and size.

Model	BTUs	50% Flame & Heat Turndown	100% Turndown (Via Accent Lighting)	IntelliFire Plus RC300 Wireless Control	Brick Refractory	LED Accent Lights	AFUE Heater Rated	Fan (160 cfm)	LED Illuminated Embers	Premium Logset
6000C	30,000	•								
6000CL	35,000	•	•	•	•	•	•			
6000CLX	40,000	•	•	•	•	•	•	•	•	•
8000C	35,000	•								
8000CL	40,000	•	•	•	•	•	•			
8000CLX	45,000	•	•	•	•	•	•	•	•	•

FRONTS

Our fronts and operable doors completely overlap surround materials, for the best finished look. Plus, adjustable brackets allow for variations in thickness of surround materials up to 1". Doors look great open or closed, plus are self-aligning. Heavier steel construction and latching provide a smooth feel and quiet close, while the improved overlap front design has better transition to multiple finishing materials. So when it comes to beautifully finished design, nobody does it better.



Arcadia Front
ARCADIA-6, ARCADIA-8



Folio Front (Inside Fit)
FOLIO-36, FOLIO-42



Chateau Deluxe Front
CHAD-6, CHAD-8



Galleria Operable Doors
GALLERIA-6, GALLERIA-8



Halston Operable Doors
HALSTON-6, HALSTON-8



Chateau Forge Front
*Available in Hammered Steel only
CHAF-6, CHAF-8



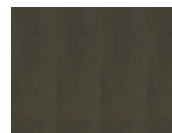
Clean Face Kit
CF-6000, CF-8000

FINISHES

Three rich finishes. High on style, long on durability.



Black



New Bronze



Graphite

REFRACTORY

Our refractory offers an authentic appearance with remarkable brick detail. Your choice of the Stratford or Tahoe Tan finish comes standard on all CLX and CL models.



Stratford



Tahoe Tan

INTELLIFIRE PLUS IGNITION SYSTEM & WIRELESS CONTROLS



The IntelliFire Plus Ignition System is an “intelligent” control system providing energy conservation and the comfort of a roaring fire ...all at your fingertips! IntelliFire Plus features intermittent-pilot ignition (IPI) allowing you to conserve fuel and money when the fireplace is not in use. Optional constant pilot mode – allows you to leave the pilot

flame on in cold climates. In addition, the system offers seamless transition from AC to battery backup in a power outage, as well as built-in safety features and memory settings. Lastly, our new family of IntelliFire Plus wireless controls provides stylish and ergonomic controls with the features and benefits homeowners desire.



INTELLIFIRE PLUS RC300 incorporates an LCD screen, intuitive menus and large control buttons in a sleek and modern design. This wireless control gives you the flexibility to use as a remote only or mount on the wall anywhere in the room. Comes standard with the 6000CL, 6000CLX, 8000CL and 8000CLX models.

MODEL: RC300-HNG

FEATURES: Auto Battery Backup, Pilot Activation, On/Off, 5 Step Flame Height, Fan Speed (Auxiliary 1), Two Additional Auxiliary Functions, Room Temperature Readout, Thermostat Mode, Timer Mode, Child Lock, Wall Docking Station



INTELLIFIRE PLUS RC200 combines an easy-to-use and intuitive control panel with a stylish and ergonomic design. Since it utilizes wireless control, it has the flexibility for wall placement anywhere in the room, or use as a remote only.

MODEL: RC200-HNG

FEATURES: Auto Battery Backup, Pilot Activation, On/Off, 5 Step Flame Height, Fan Speed, Child Lock, Wall Docking Station



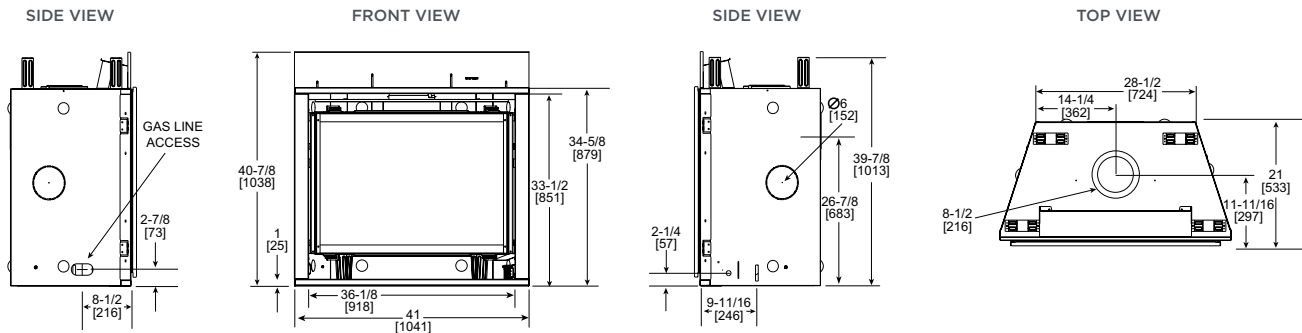
INTELLIFIRE PLUS RC100 features a simple, single mode function and is specifically designed for wall placement ensuring a great fire is just a tap of the switch away.

MODEL: RC100-HNG

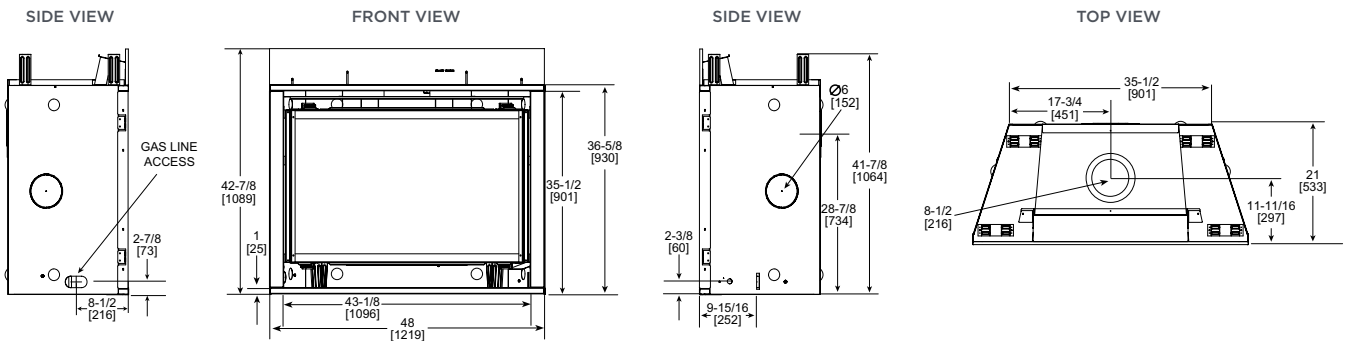
FEATURES: On/Off

6000/8000 C SERIES SPECIFICATIONS

MODEL	FRONT WIDTH		BACK WIDTH		HEIGHT		DEPTH		VIEWING AREA BTU/HOUR INPUT	
	UNIT	FRAMING	UNIT	FRAMING	UNIT	FRAMING	UNIT	FRAMING		
6000CLX 6000CL 6000C	41	42	28-1/2	42	39-7/8	40-1/8	21	22	36 x 24-3/4	CLX - 40,000 CL - 35,000 C - 30,000



MODEL	FRONT WIDTH		BACK WIDTH		HEIGHT		DEPTH		VIEWING AREA BTU/HOUR INPUT	
	UNIT	FRAMING	UNIT	FRAMING	UNIT	FRAMING	UNIT	FRAMING		
8000CLX 8000CL 8000C	48	49	35-1/2	49	41-7/8	42-1/8	21	22	42-1/2 x 26-3/4	CLX - 45,000 CL - 40,000 C - 35,000



Dimensions above are in inches. Reference dimensions only. We recommend measuring individual units at installation. Assumes the use of 1/2" drywall. NOTE: Combustible material should not be installed over the face. Make sure you do NOT cover the decorative door opening.

Refer to installation manual for detailed specifications on installing this product. Heat & Glo reserves the right to update units periodically. The flame and ember appearance may vary based on the type of fuel burned and the venting configuration used. Pictures in this brochure are not a true representation of the fireplace and/or flames.

U.S. EFFICIENCIES

Steady State - Since most homeowners use their fireplaces for an extended time while they are in the room, Steady State measures how efficiently your fireplace converts fuel to heat once it is warmed up and running in a "steady state".

AFUE - AFUE rating is more typically used with appliances, like your furnace, that continually cycle on and off to maintain a constant temperature.

CANADA EFFICIENCIES

EnerGuide (CSA P.4.1-02) - EnerGuide is a rating used in Canada to measure annual fireplace efficiency.

Rating	6000 CLX	6000 CL	6000 C	8000 CLX	8000 CL	8000 C
Steady State	83%	82%	81%	84%	83%	83%
AFUE	65%	64%	60%	66%	65%	63%

Rating	6000 CLX	6000 CL	6000 C	8000 CLX	8000 CL	8000 C
EnerGuide (CSA P.4.1-02)	67%	68%	64%	68%	65%	67%

For complete information on this model, please contact us at:

HEAT & GLO
No one builds a better fire

A brand of Hearth & Home Technologies Inc.*
7571 215th Street West, Lakeville, MN 55044
Web: heatnglo.com
Phone: (888) 427-3973 (952) 985-6000
E-mail: info@heatnglo.com

- facebook.com/HeatandGlo
- twitter.com/HeatandGlo
- youtube.com/HeatandGlo

LIMITED LIFETIME WARRANTY*

The strongest in the industry, Heat & Glo provides a limited lifetime warranty on the most important aspects: firebox and heat exchanger.

*For full warranty details, go to www.heatnglo.com.



HNG-1102U-0711

