

# GreenSmart™ Gas Fireplaces



fireplace**x**trordinair™

## Imagine A Fireplace For Every Room

A home is a combination of dreams and choices, each a reflection of you. From the most intimate engraved details on a fireplace face to the grandest of fires, our fireplaces bring a sense of peace tranquility and of course warmth to your home.



Fireplace Xtordinaire proudly produces our high-quality line of gas fireplaces that compliment a broad range of architectural styles and heating needs at our manufacturing plant in Mukilteo Washington. We utilize the finest materials, and subject them to vigorous testing standards to make fireplaces that stand up to the rigors of time. These fireplaces are the best money can buy.

We are passionate about both the science and the art of fire.

Browse, study, dream, and let us help you transform a room into a gathering place in your home. Let us help you "Rediscover Fire"!

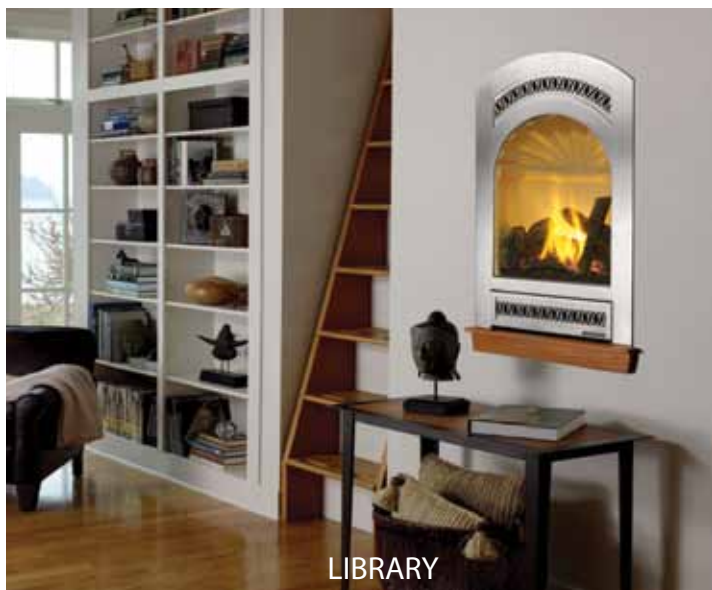
## Technology

Our history is one of innovation. Our designs have earned a "Best Buy" endorsement from Consumer Digest® magazine. Our Ember-Fyre™ gas burner technology used on several of our fireplaces was selected by Popular Science® magazine "Best of What's New" as "One of the Year's Top 100 Innovations in science and technology." Become mesmerized by our award-winning gas flames that are so stunning, they can be easily confused with a wood fire.

All our gas fireplaces are certified as "Heater Rated". Many of our models can be used as the primary heat source in your home. All of our fireplaces can be used for "Zonal Heating". This allows you to economically heat only the room(s) you use and can greatly reduce your heating cost!

## Heat, Even When The Power Goes Out

All of our fireplaces feature a battery backup system that automatically switches from AC to battery when the power goes out and back to AC when the power is restored.



LIBRARY



LIVING ROOM

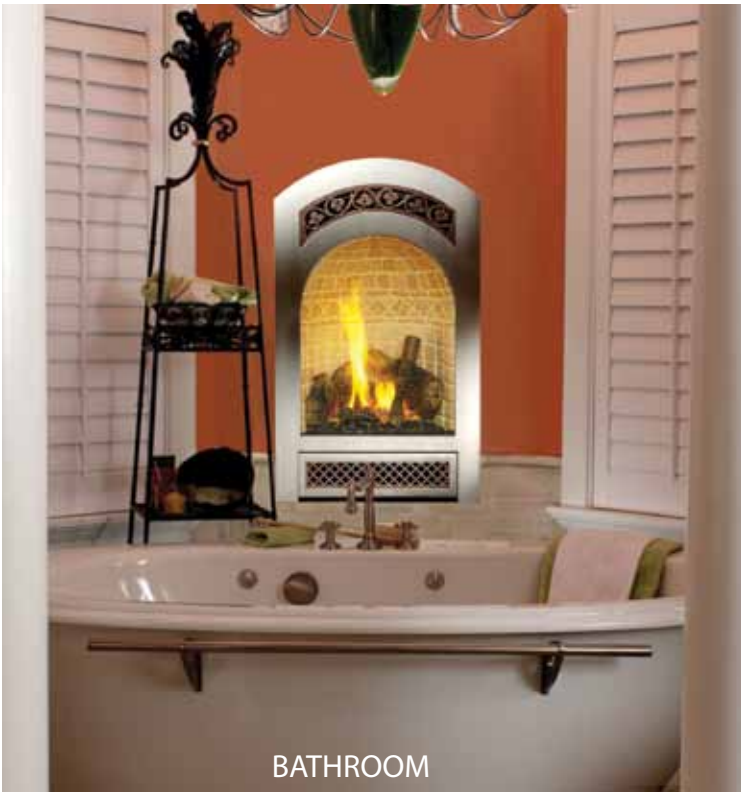


SITTING ROOM



BATHROOM





BATHROOM

You will find that this brochure is divided into three sections.

### Section One - Face Designs - Options

Outlines all the beautiful face designs available for your Fireplace Xtrordinair gas fireplace. Picture the irresistible appeal of fire, framed in unique and rich metalwork that includes finishes such as hand-hammered bronze patina, in a variety of architectural styles.

### Section Two - Fireplace Models

Pick the fireplace or fireplaces to make your vision happen. Our gas fireplaces are available in 7 models with different performance capacities to meet virtually every heating need.

### Section Three - Installation

Almost all of our fireplaces provide for horizontal or vertical venting through the outside wall or ceiling, allowing you to install your fireplace virtually anywhere in your home. All fireplaces ship as Natural Gas and include easy to convert LP (Propane) conversion kits at no additional cost.



All Fireplace Xtrordinair gas burning fireplaces utilize a direct vent chimney system to ensure indoor air quality. Fireplace Xtrordinair gas fireplaces use the air from outside the home for combustion, and exhaust 100 percent of the combustion by-products (like moisture or carbon monoxide) safely outside the home. As a result your home's indoor air quality stays safe and clean!

## Fireplace Xtrordinair GreenSmart Models:

### Model 21 TRV (Bed & Breakfast)

Heats up to 650 sq. ft.  
 BTU Input: 16,500 Btus/hr.  
 Steady State Efficiency\* of 82.2% (NG) 79.5% (LP)  
 P4 Efficiency\*\* of 65.2% (NG) 68.97% (LP)

### Model 564 SS (Space Saver)

Heats up to 950 sq. ft.  
 BTU Input: 20,500 Btus/hr.  
 Steady State Efficiency of 76.5% (NG) 78.3% (LP)  
 P4 Efficiency of 67.7% (NG) 70.11% (LP)

### Model 564 DF (Diamond-Fyre)

Heats up to 950 sq. ft.  
 BTU Input: 20,500 Btus/hr.  
 Steady State Efficiency: 76.5% (NG), 74.2% (LP)  
 P4 Efficiency of 67.7% (NG) 70.11% (LP)

### Model 564 HO (High Output)

Heats up to 1,400 sq. ft.  
 BTU Input: 35,000 Btus/hr.  
 Steady State Efficiency of 72% (NG) 73% (LP)  
 P4 Efficiency of 64% (NG) 66% (LP)

### Model 864 TRV (Top/Rear Vent)

Heats up to 1,400 sq. ft.  
 BTU Input: 31,000 Btus/hr.  
 Steady State Efficiency of 80% (NG) 81% (LP)  
 P4 Efficiency of 68.36% (NG) 67.79% (LP)

### Model 864 HO (High Output)

Heats up to 2,500 sq. ft.  
 BTU Input: 46,700 Btus/hr.  
 Steady State Efficiency of 81.5% (NG) 81% (LP)  
 P4 Efficiency of 71.1% (NG) 72.2% (LP)

### Model 864 ST (See Thru)

Heats up to 1,500 sq. ft.  
 BTU Input: 37,500 Btus/hr.  
 Steady State Efficiency of 79.5% (NG) 80.1% (LP)  
 P4 Efficiency of 70.77% (NG) 70.71% (LP)

\* Steady State Efficiency is the best efficiency achieved when optimum venting used on the the appliance (laboratory).

\*\* P4 Efficiency is an averaged efficiency of variable (4) types of venting is used on the appliance (real world).

# Architectural Double Door Collection



The ARCHITECTURAL™ doors offer an elegant collection of rectangular and arched black painted double doors for the 564 SS, 864 TRV, 864 HO and 864 See-Thru fireplaces. These beautiful doors, which can be opened, create the illusion of a much larger fireplace.

The Architectural Door Collection gives you the ability to add richly plated onlays to the basic black, double doors. Onlays are available in three distinct designs, each with their own unique hand-rubbed antique plated finish in antique bronze, copper or nickel.



**A** Rectangular double doors with copper onlays

**B** Arched double doors with bronze onlays

This close up of the Arts & Crafts Onlay highlights a delicate oak leaf scroll, which is offered in a hand-rubbed antique copper finish.





## Rectangular Double Doors



Architectural™ Rectangular Double Doors  
Choose the Metallic Black Paint Finish or add one of the beautiful antique finished Onlays.

## Arched Double Doors



Architectural™ Arched Double Doors  
Choose the Metallic Black Paint Finish or add one of the beautiful antique finished Onlays.



The Classic™ Onlay is available in an Antique Bronze finish and features the detailed lace-like appearance of the "Original" Fireplace Xtrordinair Classic design. They attach to the rectangular or arched double doors.



The Artisan™ Onlay has a soft Antique Nickel finish, which features a diamond pattern. These are attached to the rectangular or arched double doors.

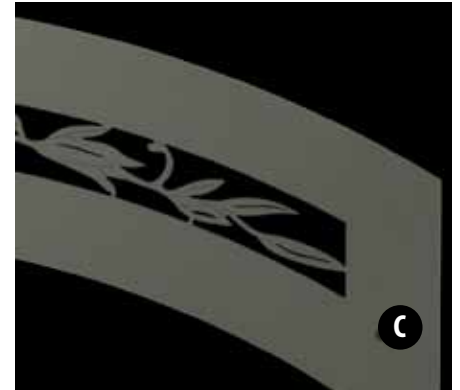
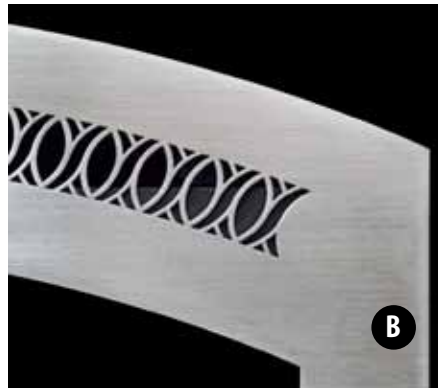
# Arched Faces Collection



A



- A** This living area features the Model 564 SS GS with Brushed Nickel Classic Arch™ face and includes the optional brick fireback.
- B** French Country Arch detail showing the trademark Classic X and O pattern detail in brushed nickel.
- C** French Country Arch, showing the beautiful floral design motif.
- D** Model 564 SS GS French Country Arch, shown in black metallic painted finish, with optional Common brick fireback.



## Classic Arch™ Face

The original Classic Arch™ face may be used with any Fireplace Xtrordinair gas fireplace. The graceful arch opening that frames the fire viewing area is complemented by a parallel arch face. This combination of curves has a timeless appeal and universal application for a wide range of architectural styles.

The beautiful parallel arch appearance and fine detail of this fireplace has become a unique, trademarked characteristic of Fireplace Xtrordinair, the original arched fireplace.

## French Country™ Arch Face

The French Country™ Arch face is a design that combines cottage style with a formal flare and it is exquisitely accomplished with Fireplace Xtrordinair face. The combination of the engraved floral garland and the reserved detail of the scalloped rings fit well into a country home or elegant, old chateau. The French Country face and style of decorating with its casual feel will warm the hearth of any home.



Classic Arch in black paint finish



Classic Arch in nickel plate finish



French Country Arch in black paint finish

# IronWorks™ Face

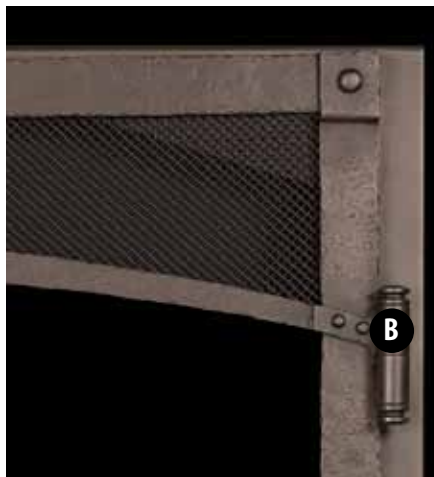


A



## IronWorks™ Face

- A** This great room features the Model 864 HO with the bronze IronWorks™ face and includes the optional Handmade brick fireback.
- B** IronWorks detail showing the hammered detail on the functional doors.
- C** IronWorks Face shown on the 864 HO fireplace with Lodge Ring Handle option.
- D** Lodge Ring Handle Detail.
- E** Chateau Handle Detail.



## Design

The IronWorks face is a study in craftsmanship and includes hand beveled edges, hammered textured surfaces and fine details. The operable doors are finished on the inside and out to further enjoy the beauty of the fire and the Ironworks face with the doors open. You have the option of adding one of the two hand-forged handles, the timeless Lodge Ring or the stunning Chateau handles.

## Patina Finish

The bronze patina finish is hand applied by skilled artisans and absorbed deep into the metal giving it the luster and beauty of an oil-rubbed bronze art piece. Each IronWorks face is individually hand-polished and fired in an oven which imparts unique color subtleties with no two finishes alike. This bronze patina finish is a "living color" which will age and deepen over time.



# Metropolitan™ Faces



A





**B**

## Metropolitan™ Faces

The Metropolitan™ face design features the same beautiful grillwork of the Classic Collection, but in a more linear, retro style. The beveled edges of the Metropolitan face design also create an intriguing, three-dimensional appearance.



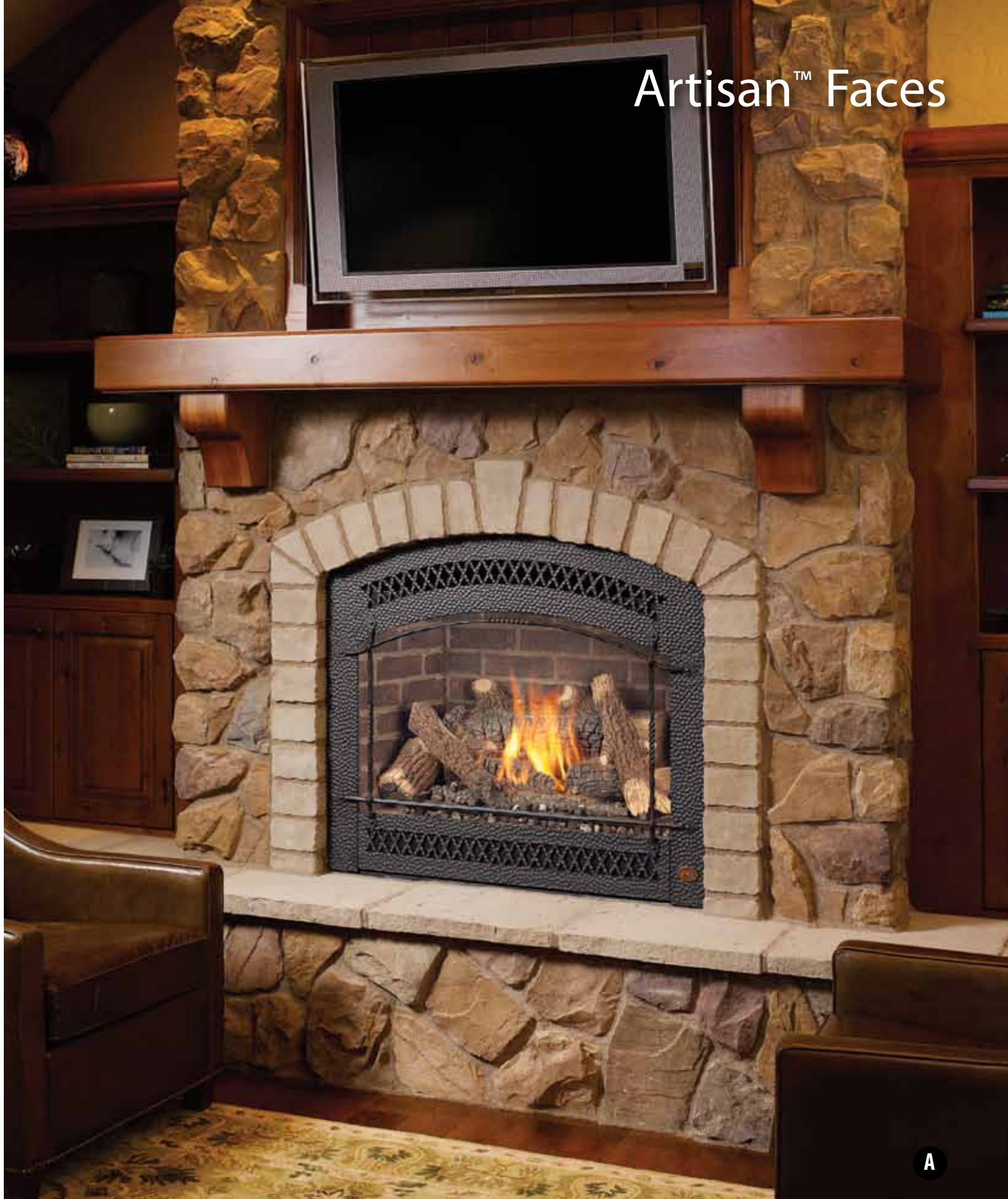
**C**



**D**

- A** Model 564 HO shown with Brushed Nickel Metropolitan face, Fyre-Stone Rock Kit and Black Enamel fireback.
- B** Model 564 Space Saver shown with Metallic Black Painted Metropolitan face and Handmade Brick fireback.
- C** Brushed Nickel Metropolitan Face.
- D** Metallic Black Painted Metropolitan Face.

Artisan™ Faces



A



## Artisan™ Face Collection

The Artisan™ fireplace face design and craftsmanship are reminiscent of the ironwork in the Great Lodges of Europe and America. The Artisan face is hand-forged and hammered by master blacksmiths in Europe. Each face bears unique, subtle characteristics from the hands of its creator, making it an individual work of art in iron.

The face features a wrought iron window detail of chiseled and twisted steel framing the soft curve of a large glass viewing area.

A convection chamber which circulates heated room air around the appliance is concealed by a delicate, forged air intake and hot air return grill. Variations in the hand-forged metal texture will create an infinite variety of firelight reflections, whether you choose charcoal paint, hand-rubbed bronze patina.



- A** This rustic great room features the Model 864 HO with the Artisan Charcoal face.
- B** Hand-rubbed bronze patina finish.
- C** Charcoal painted finish.
- D** This Arts & Crafts den features the Artisan face in Bronze Patina on a Model 864 TRV GS fireplace.



**B**

The patina bronze hand-rubbed process that drives the textures and colors deep into the metal - creating a unique high temperature permanent finish with subtle highlights. This process is exclusive to Fireplace Xtrordinair gas fireplaces.



**C**



**D**

# Studio Trim and Grills



864 TRV GS Shown with brushed nickel Studio Trim, Black Louvers and Brick fireback

The Studio Trim option fits around the perimeter of the fireplace face framing the fire like a beautiful picture. The Studio Trim is available in three-piece (for hearth mount) or four-piece (for wall mount) installations and is designed for use with the Basic Grill or Louvers. Add optional brushed nickel glass trim for an additional accent.



Brushed Black Satin Studio Trim  
Shown with basic grill set



Brushed Nickel Studio Surround Trim  
Shown with optional Nickel Louvers, Stainless Steel  
Fireback and Brushed Nickel Glass Trim

## Trim Dimensions

### **For 564's**

Black 3-Sided  
Nickel 3-Sided  
41 3/4" W x 32 1/4" H

Black 4-Sided  
Nickel 4-Sided  
41 3/4" W x 37" H

### **For 864's**

Black 3-Sided  
Nickel 3-Sided  
46 1/4" W x 38 7/8" H

Black 4-Sided  
Nickel 4-Sided  
46 1/4" W x 43 1/2" H



# Shadowbox Face For 564 Fireplaces



*Shown with brushed nickel Shadowbox, brushed nickel glass trim option and Fyre-Stone Kit.*

The Shadowbox face projects 3 1/2" out from your fireplace facing in multiple levels creating a frame for the delightful fire. The Shadowbox conceals the convection openings and the controls to give the fireplace a linear, contemporary appeal. The face is available with a subtle reverse bevel in either bold brushed nickel or sleek brushed satin black, layered with a subtle bevel on top of a black painted frame. This combination defines contemporary elegance.

Concealed manual controls are within easy reach to activate the flames, adjust the interior light level or change the convection blower output to your desired mood or comfort zone. Upgrade to a full function hand-held GreenSmart remote if you wish. Add optional brushed nickel glass trim for an additional accent. Face measures 45 1/4" W x 32 1/4" H.



Brushed Black Satin Shadowbox Face



Brushed Nickel Shadowbox Face

# Matrix™ Face for 564 Fireplaces



A



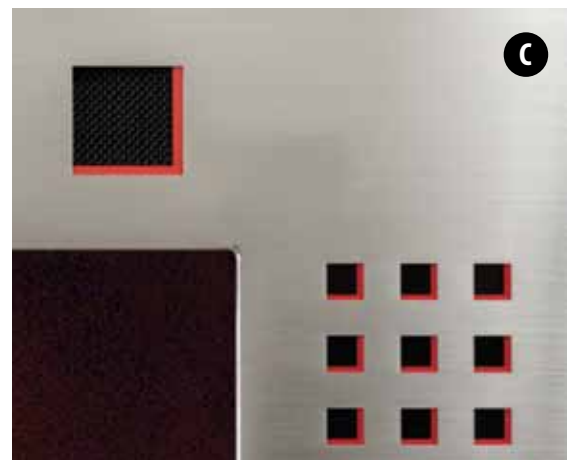


## Matrix™ Face

The **Matrix™** face offers a fresh, modern look to gas fireplaces.

The Matrix™ by Fireplace Xtrordinair is a contemporary styled facing designed for “making a statement” without the need for a traditional mantel or surround. Most importantly, its three-dimensional geometric design features offset, layered crimson pin-stripe over black in a structured geometric grid. Available for the all 564 gas fireplaces.

- A** Model 564 Diamond-Fyre shown with Matrix™ Face and Black Enamel Fireback option.
- B** Model 564 SS shown with Matrix™ Face and Black Enamel Fireback.
- C** Matrix™ Face in Brushed Nickel Finish with black screen and red inlay detail. Red inlay may be removed if desired.



# Bed & Breakfast™



**SEE VIDEO**  
of this product burning



Web address:  
[vimeo.com/29162729](https://vimeo.com/29162729)

A



## Bed & Breakfast™ (21 TRV) GreenSmart™

As the name Bed & Breakfast™ suggests intimacy and coziness, this gas fireplace embodies these very ideals. The Bed & Breakfast is designed for corner, flat wall or limited space installations in small intimate settings such as bedrooms, baths and kitchens. The "Portrait" design of the fireplace offers a generous fire viewing area (303 sq. in.). With the award winning Ember-Fyre™ burner, the Bed & Breakfast fireplace gives you the ability to add a beautiful gas fireplace virtually anywhere in your home. Enjoy the flexibility of the Comfort Control™ valve which allows you to turn the flame down up to 77%!

The Bed & Breakfast can be top or rear vented and can heat a room or area up to 650 sq. ft. If you need a little more heat add the optional, quiet 90 CFM blower to circulate heated air throughout the room.

Use your fireplace year-round, by using the standard Accent Light. The Accent Light adds warm, dramatic highlights to the logs and optional liners, and can be used when the fire is on or off. Faces measure 21" w x 35" h.

- A** This kitchen features the Bed & Breakfast fireplace with the charcoal Artisan hand-hammered face, optional Antique Nickel Arts & Crafts grill inserts and Brick Beehive Brick Liner.
- B** The Bed & Breakfast in this bedroom features the French Country face, and has been enhanced with the Cast Shell Liner.
- C** The bathroom features the Bed & Breakfast with the Classic Arch Brushed Nickel face and Tumbled Travertine Stone Liner and optional Copper Arts & Crafts Grills.



Black Painted  
Classic Arched Face



Brushed Nickel  
Classic Arch Face



Black Painted French  
Country Arched Face



Antique Gold French  
Country Face



Charcoal Painted  
Artisan™ Face



Bronze Patina  
Artisan™ Face



# 564 Space Saver™



**SEE VIDEO**  
of this product burning



Web address:  
[vimeo.com/17605037](http://vimeo.com/17605037)

*Shown with Black Painted French Country  
face and Straight Firebrick.*

## 564 Space Saver Face Options



**Black Grill Set**  
(Arch Accent is removable)  
36 1/4" W x 30 1/4" H



**Louver Set**  
36 1/4" W x 30 1/4" H  
Choice of Black or Nickel  
(Nickel Glass Frame Available)



**Brushed Nickel  
Metropolitan™**  
Also available in Black Paint  
36 1/8" W x 29 1/16" H



**Brushed Nickel Plated  
Classic Arch**  
Also available in Black Paint  
36 1/8" W x 29 1/16" H



**Black Painted  
French Country™**  
36 1/8" W x 29 1/16" H



**Bronze Patina Artisan™**  
Also available in Black Paint  
36 1/8" W x 29 1/16" H



## 564 SS - Space Saver™ GreenSmart™

The 564 SS (Space Saver) is designed to offer a large viewing area along with comfortable heating for the smaller rooms of your home - up to 950 sq. ft. with the optional fan. With its consistent, radiant and convective heat and the reduced dimensions, this fireplace is ideal for zone heating in bedrooms, dens and intimate spaces that do not require a great deal of heat.

The realistic flame along with the heat output, can be easily adjusted with our Comfort Control™ gas valve. This component allows you to turn the burner from high to low, while maintaining the fire and glowing embers, giving the fireplace the ability to be utilized and enjoyed year round.

The 564 SS can be personalized for your home. Choose from something as simple as the basic grill or one of many different upgrade face options in various textures and rich colors. An optional 180 CFM fan increases movement of heated air around the firebox, maximizing heat transfer and performance.

## Features

- GreenSmart system
- Maximum BTUs: 20,500
- Thin profile - Only 16 1/4" deep.
- 564 square inches of tempered fire viewing glass.
- Removable safety screen in front of glass.
- Split-flow Dancing-Fyre burner for realistic flame.
- Wall switch included.
- 8" Top and rear vent option on same unit.

### Options:

- Wall Thermostat
- Basic Remote
- GreenSmart Remote NG
- GreenSmart Remote LP
- 180 CFM Convection Fan

## Decorative Firebacks Designs

Personalize the inside of your fireplace with one of our many fireback options.



• Reversible Common Brick/Herringbone Brick



• Reversible Diamond Mosaic/Stucco



• Handmade Brick



• Stainless Steel



• Black Enamel

## Cast Iron Andirons for 564 Fireplaces

Make your fireplace even more authentic with one of our classic cast iron andiron sets.



• Lodge Ring



• Traditional Urn



• Traditional Ring

## Detailed Birch Log Set Upgrade

The 564 SS offers the option of replacing the standard log set with a Birch Log option to give your fireplace an entirely different look.



• Birch Log



IronWorks  
Double Door  
36 1/8" W x 29 1/16" H



Architectural Rect.  
Double Door  
36 1/8" W x 29 1/16" H



Architectural Arch  
Double Door  
36 1/8" W x 29 1/16" H

For Architectural  
Double Doors  
Onlay Options:  
See page 4-5



Brushed Nickel  
Matrix™  
48 3/8" W x 31" H



Shadow Box  
Also available in Satin Black  
45 1/4" W x 32 1/4" H.

# 564 Diamond-Fyre™



**SEE VIDEO**  
of this product burning



Web address:  
[vimeo.com/17605037](http://vimeo.com/17605037)

*Shown with Brushed Nickel  
Shadowbox face and Black  
Enamel Fireback.*

## 564 Diamond-Fyre Face Options



**Black Grill Set**  
(Arch Accent is removable)  
36 1/4" W x 30 1/4" H



**Louver Set**  
36 1/4" W x 30 1/4" H  
Choice of Black or Nickel  
(Nickel Glass Frame Available)



**Brushed Nickel  
Metropolitan™**  
Also available in Black Paint  
36 1/8" W x 29 1/16" H



**Brushed Nickel Plated  
Classic Arch**  
Also available in Black Paint  
36 1/8" W x 29 1/16" H



**Black Painted  
French Country™**  
36 1/8" W x 29 1/16" H



**Bronze Patina Artisan™**  
Also available in Black Paint  
36 1/8" W x 29 1/16" H



## 564 SS - Diamond-Fyre™

The 564 Diamond-Fyre does not utilize logs and embers. Instead, a sleek black enamel fire container holds the dancing flames. Glowing crushed glass, lit from below with the standard accent lights, surrounds the fire and sparkles with tiny reflections of the flames. Firebacks are required, and you can choose the black painted fireback or opt for the black enamel or brushed stainless steel fireback which reflects the ever-changing flames creating the illusion of multiple fires. Select from three colors of glass media for the firebox floor - Platinum (white), Cobalt (blue) or Bronze for your own customized display.

The 564 Diamond-Fyre will heat an area of up to 950 square feet with a maximum input of 20,500 Btus. The turn-down ratio of 75% to a low input of 5,100 Btus with natural gas or 4,200 Btus with propane allows great flexibility for year-round use. The Split-Flow ribbon burner allows the left and right sections to be shut off leaving only the center portion lit for times when the mood calls for a fire but the comfort level does not require a large heat output.

### Finish Options

#### Required Firebacks

You have the option of adding a simple black painted interior or choice of stainless steel or black enamel interior liners that dramatically reflects the flame and glowing floor media in a multitude of patterns.



Black Painted



Stainless Steel



Black Enamel

#### Required Decorative Glass Media

Beautiful decorative glass media comes in your choice of three colors. The reflective glass media is bottom lit with the adjustable accent light and with the flames gives the impression of millions of glowing shimmering gemstones.



Reflective Platinum



Reflective Bronze



Reflective Cobalt Blue



IronWorks  
Double Door  
36 1/8" W x 29 1/16" H



Architectural Rect.  
Double Door  
36 1/8" W x 29 1/16" H



Architectural Arch  
Double Door  
36 1/8" W x 29 1/16" H

*For Architectural  
Double Doors  
Onlay Options:  
See page 4-5*



Brushed Nickel  
Matrix™  
48 3/8" W x 31" H



Shadow Box  
Also available in Satin Black  
45 1/4" W x 32 1/4" H.

### Features

- GreenSmart system
- Maximum BTUs: 20,500
- Thin profile - Only 16 1/4" deep.
- 564 square inches of tempered fire viewing glass.
- Removable safety screen in front of glass.
- Split-flow Dancing-Fyre burner for realistic flame.
- Wall switch included.
- 8" Top or rear vent option on same unit.

#### Options:

- Wall Thermostat
- Basic Remote
- GreenSmart Remote NG
- GreenSmart Remote LP
- Power Heat Duct Kit
- 180 CFM Convection Fan

# 564 High Output™



**SEE VIDEO**  
of this product burning



Web address:  
[vimeo.com/17605037](http://vimeo.com/17605037)

*Shown with IronWorks face, Lodge Ring handle and Stucco Fireback.*

## 564 High Output Face Options



**Black Grill Set**  
(Arch Accent is removable)  
36 1/4" W x 30 1/4" H



**Louver Set**  
Choice of Black or Nickel  
(Nickel Glass Frame Available)  
36 1/4" W x 30 1/4" H



**Brushed Nickel Metropolitan™**  
Also available in Black Paint  
36 1/8" W x 29 1/16" H



**Brushed Nickel Plated Classic Arch**  
Also available in Black Paint  
36 1/8" W x 29 1/16" H



**Black Painted French Country™**  
36 1/8" W x 29 1/16" H



**Bronze Patina Artisan™**  
Also available in Black Paint  
36 1/8" W x 29 1/16" H



## 564 HO - High Output™

The 564 High Output (HO) GreenSmart fireplace offers the same 564 square inches of viewing area of the Space Saver fireplace, but it is designed to heat a larger area of up to 1,400 square feet. With 35,000 BTU input, ceramic glass and fan standard this fireplace delivers the heat! This high output fireplace uses "film cooling" technology allowing for close clearances to combustibles, letting you install the mantel close to the fireplace in a traditional location. You can heat your family's main living area or duct up to 30% of the heat to adjoining room(s) 20 feet away using the optional Power Heat Duct Kit, one or two kits can be used. Other options include andirons, wall thermostat, basic remote and GreenSmart remote. The 564 HO offers flexibility from the inside out to compliment any home style from traditional to contemporary.

### Interiors - Pick The Look That You Like!

#### Dancing-Fyre™

The classic Dancing-Fyre™ burner comes standard with a five piece logset, grate and the black painted fireback.



#### Ember-Fyre™

The Award-Winning Ember-Fyre™ burner comes standard with seven piece detailed logset and grate. This burner allows for a choice of six different firebacks.



Common Brick



Herringbone Brick



Diamond Mosaic



Stucco



Handmade



Black Enamel

#### Diamond-Fyre II™

The contemporary Diamond-Fyre II™ burner offers the choice of Fyre-Stone™ Rock Kit or Driftwood Fire Art™ instead of the traditional logset. You also have the choice of Black Painted, Stainless Steel or a luscious Black Enamel Fireback to complete the look.



Black Painted

Fyre-Stone™ Rock Kit



Stainless Steel



Black Enamel



Driftwood Fire Art™



IronWorks  
Double Door

36 1/8" W x 29 1/16" H



Architectural Rect.  
Double Door

36 1/8" W x 29 1/16" H



Architectural Arch  
Double Door

36 1/8" W x 29 1/16" H

For Architectural  
Double Doors  
Onlay Options:  
See page 4-5



Brushed Nickel  
Matrix™

48 3/8" W x 31" H



Shadow Box  
Also available in Satin Black  
45 1/4" W x 32 1/4" H.

# 864 Top or Rear Vent



**SEE VIDEO**  
of this product burning



Web address:  
[vimeo.com/17605715](http://vimeo.com/17605715)

*Shown with charcoal  
painted Artisan™ face.*

## 864 TRV Face Options



**Black Grill Set**  
(Arch Accent is removable)  
41"W x 36 5/8" H



**Black Painted  
Metropolitan™**  
40 3/4" W x 35 1/2" H



**Brushed Nickel  
Metropolitan™**  
40 3/4" W x 35 1/2" H



**Black Painted  
Classic Arch**  
40 3/4" W x 35 1/2" H



**Brushed Nickel  
Classic Arch**  
40 3/4" W x 35 1/2" H



**Black Painted  
French Country™**  
40 3/4" W x 35 1/2" H



## 864 TRV - Top/Rear Vent GreenSmart™

The 864 TRV top or rear vent is perfect for warmer climates, smaller spaces, or a beautiful, decorative fire all year long. It features a wide BTU turn down range for more heat flexibility and flame viewing options. A wide range of face styles and options are available to create an Xtordinary fire. The 864 TRV features 864 square inches of tempered glass with a child-safe screen. The screen is removable if desired.

### Ultimate Flame Regulation

You have virtually unlimited flame variation with our Comfort Control™ and the Flame Height Adjuster Knob. Use all 31,000 BTU's of flame on the coldest winter nights heating up to 1,400 sq. ft. or turn it down to only 10,000 (NG) or 8,000 (LP) for a romantic firelight on a warmer night. The Comfort Control™ allows you to turn off the rear burner completely when less heat is desired.

### Standard Accent Light

Add a warm glow to the interior of your fireplace when the fire is turned on or off! It's perfect as a night light or soft indirect light for the room.

### Decorative Firebacks Designs

Personalize the inside of your fireplace with one of our many fireback options.



• Reversible Common/Herringbone Brick



• Reversible Diamond Mosaic Tile/Stucco



• Stainless Steel Liner -



• Black Enamel

### Cast Iron Andirons for 864 Fireplaces

Make a dramatic statement with a pair of our beautiful optional cast iron andirons.



• Arabesque  
98500633



• Colonial  
98500631



• Wrought Iron  
98500632



Charcoal Painted  
Artisan™  
40 3/4" W x 35 1/2" H



Bronze Patina  
Artisan™  
40 3/4" W x 35 1/2" H



IronWorks  
Double Door  
40 7/8" W x 35 5/8" H



Architectural Rect.  
Double Door  
40 7/8" W x 35 5/8" H



Architectural Arch  
Double Door  
40 7/8" W x 35 5/8" H

*For Architectural  
Double Doors  
Onlay Options:  
See page 4-5*

### Features

- GreenSmart system.
- Maximum BTU's per hour: 31,000.
- 8" top or rear vent options.
- 864 square inches of tempered viewing glass.
- Removable safety screen in front of glass.
- Split-Flow Dancing-Fyre burner for realistic flame.
- Wall switch included.
- Add heat to one additional room in your home with the Power Heat Duct Kit.

### Options:

- Wall Thermostat
- Basic Remote
- GreenSmart Remote NG
- GreenSmart Remote LP
- Power Heat Duct Kit
- 180 CFM Convection Fan

# 864 High Output



SEE VIDEO  
of this product burning



Web address:  
[vimeo.com/14197621](http://vimeo.com/14197621)

*Shown with black painted French Country™ face and Stucco interior liner.*

## 864 HO Face Options



**Black Grill Set**  
(Arch Accent is removable)  
41" W x 36 5/8" H



**Black Louver Set**  
41" W x 36 5/8" H  
(Nickel Glass Frame Available)



**Nickel Louver Set**  
41" W x 36 5/8" H  
(Nickel Glass Frame Available)



**Brushed Nickel Metropolitan™**  
Also available in Black Paint  
40 3/4" W x 35 1/2" H



**Brushed Nickel Classic Arch**  
Also available in Black Paint  
40 3/4" W x 35 1/2" H



**Black Painted French Country™**  
40 3/4" W x 35 1/2" H



## 864 HO - High Output™

The 864 High Output (HO) GreenSmart fireplace offers the same 864 square inches of viewing area of the 864 TRV fireplace, but it is designed to heat a larger area of up to 2,500 square feet. With 46,700 BTU input, ceramic glass and fan standard this fireplace delivers the heat! This high output fireplace uses “film cooling” technology allowing for close clearances to combustibles, letting you install the mantel close to the fireplace in a traditional location. You can heat your family’s main living area or duct up to 30% of the heat to adjoining room(s) 20 feet away using the optional Power Heat Duct Kit, one or two kits can be used. Other options include andirons, wall thermostat, basic remote and GreenSmart remote. The 864 HO offers flexibility from the inside out to compliment any home style from traditional to contemporary.

### Interiors - Pick The Look That You Like!

#### Dancing-Fyre™

The classic Dancing-Fyre™ burner comes standard with a five piece logset, grate and the black painted fireback.



#### Ember-Fyre™

The Award-Winning Ember-Fyre™ burner comes standard with seven piece detailed logset and grate. This burner allows for a choice of six different firebacks.



Common Brick



Herringbone Brick



Diamond Mosaic



Stucco



Handmade



Black Enamel

#### Diamond-Fyre II™

The contemporary Diamond-Fyre II™ burner offers the choice of Fyre-Stone™ Rock Kit or Driftwood Fire Art™ instead of the traditional logset. You also have the choice of Black Painted, Stainless Steel or a luscious Black Enamel Fireback to complete the look.



Black Painted

Fyre-Stone™ Rock Kit



Stainless Steel



Black Enamel



Driftwood Fire Art™



Charcoal Painted  
Artisan™  
40 3/4" W x 35 1/2" H



Bronze Patina  
Artisan™  
40 3/4" W x 35 1/2" H



IronWorks  
Double Door  
40 7/8" W x 35 5/8" H



Architectural Rect.  
Double Door  
40 7/8" W x 35 5/8" H



Architectural Arch  
Double Door  
40 7/8" W x 35 5/8" H


For Architectural  
Double Doors  
Onlay Options:  
See page 4-5

# 864 See-Thru



*Shown with rectangular Architectural Double Doors with Common Brick Fireback.*

**SEE VIDEO**  
of this product burning



Web address:  
[vimeo.com/23510464](https://vimeo.com/23510464)

## 864 See-Thru Face Options



**Black Grill Set**  
(Arch Accent is removable)  
41" W x 36 5/8" H



**Black Painted Metropolitan™**  
40 3/4" W x 35 5/8" H



**Brushed Nickel Metropolitan™**  
40 3/4" W x 35 5/8" H



**Black Painted Classic Arch**  
40 3/4" W x 35 5/8" H



**Brushed Nickel Classic Arch**  
40 3/4" W x 35 5/8" H



**Black Painted French Country™**  
40 3/4" W x 35 5/8" H



## 864 See-Thru GreenSmart™

A home is a combination of dreams and choices, each a reflection of you. From the most intimate engraved details on a fireplace face to the grandest of fires, our fireplaces bring a sense of tranquility to your home.

The 864 ST maintains this tranquility with a perfect balance between the firebox, logs and flames. The logs and fire have been carefully designed to give you a different look from either side. Compare the amazingly realistic eight piece logset with any other see-thru fireplace on the market! The 864 See-Thru fireplace will give you a warm, yellow fire with glowing embers that your friends and family will have a hard time telling apart from a real wood fire.

### A Fireplace With Two Points of View

With two sides to the 864 ST Fireplace you get the ability to personalize each room using a different face on each side of the fireplace. Choose from the Basic Grill Set in black, as seen to the left, or pick one of the 18 beautiful upgrade faces in a wide variety of finishes and designs.

### Decorative Firebacks

Personalize the inside of your fireplace with one of our many fireback options.



• Reversible - Straight or Herringbone Brick



• Reversible - Diamond Mosaic Tile or Stucco



• Stainless Steel



• Black Enamel

### Standard Accent Light

Add a warm glow to your fireplace even when the fire is turned on or off! It's perfect as a night light or soft indirect light for the room.



### Cast Iron Andirons for 864 Fireplaces

Make a dramatic statement with a pair of our beautiful optional andirons.



• Arabesque



• Colonial



• Wrought Iron



Charcoal Painted  
Artisan™  
40 3/4"W x 35 5/8"H



Bronze Patina  
Artisan™  
40 3/4"W x 35 5/8"H



IronWorks  
Double Door  
40 7/8"W x 35 5/8"H



Architectural Rect.  
Double Door  
40 7/8"W x 35 5/8"H



Architectural Arch  
Double Door  
40 7/8"W x 35 5/8"H

For Architectural  
Double Doors  
Onlay Options:  
See page 4-5

## Features

- GreenSmart system.
- Heating Capacity: Up to 1,500 sq. ft.
- Maximum BTUs: 37,500
- 8" top or side vent options.
- No hearth required.
- 1,728 square inches of tempered viewing glass.
- Split-flow Dancing-Fyre burner for realistic flame.
- 8 piece log set - different look from either side.
- Wall Switch included
- Add heat to one additional room in your home with the Power Heat Duct Kit.

### Options:

- Wall Thermostat
- Basic Remote
- GreenSmart Remote NG
- GreenSmart Remote LP
- Power Heat Duct Kit
- Convection Fan 180 CFM

## What is GREEN SMART™

The patent-pending GreenSmart™ System is the most innovative collection of components, controls and technology that when combined provides an elegant, smarter and greener way to heat your home. Innovative features like: accent lights, comfort control, blower control and a choice of pilots come standard. An optional GreenSmart remote allows you to run the fireplace in “Smart Thermostat Mode” that automatically adjusts the flame height based on the temperature setting – so the flame will modulate up/down as opposed to shutting off/on like normal thermostats, thus conserving fuel and maximizing heating ability while extending the viewing pleasure of the fire.

### Basic GreenSmart Control System

This dashboard is located under the front of the appliance, and is operated manually. It has five components:



1. Convection Blower: For On/Off Rheostat Control and variable speed control (*standard on the 564 HO and 864 HO*).
2. Accent Light Control: For ON/OFF and brightness adjustment.
3. Variable Flame Control: This control adjusts flame and heat up and down.
4. Two Position Pilot Selection: Push up for continuous pilot and down for GreenSmart Pilot.
5. Comfort Control: This ON/OFF rocker switch electronically turns the rear portion of the burner on/off.
6. Battery Back-Up: Allows you to operate the burner during power outages.
7. Main Burner Switch: This switch turns the burner on/off.

### Concealment Door

The control valve and wires are hidden by our new concealment door to provide an elegant, finished appearance. The concealment door conveniently opens and closes for easy access to the controls.

Concealment  
Door Closed



Concealment  
Door Open



### Highly Visible Dashboard

The manual controls of the unit are located on a black dashboard behind the concealment door. All controls are clearly labeled with white silk screened lettering.





## Control Panel LED Lighting

When the concealment door is opened, control panel LED lighting is automatically turned on to make viewing controls on the dashboard easy even in a low light environment in the home. Power is provided by a 9 volt battery lighting up the control panel. The control panel lights up even during power outages when you need it most.



## Choice of Pilots

Continuous Pilot or GreenSmart Pilot:

This switch allows you to run your fireplace in either standing pilot mode - where the pilot flame continually stays on, ideal during Winter months when a draft is needed for safe, reliable operation and to reduce condensation from forming on the glass during startup – or for maximum efficiency use the GreenSmart Pilot, where the flame ignites via an intermittent spark (IPI) that does not run continually and thus conserves energy when the fireplace is not being operated. The GreenSmart system includes a battery back-up, ensuring proper ignition even during power outages.

## Comfort Control™ Features:

With the push of a button your Comfort Control will turn off the rear burner while leaving the front burner on for an attractive flame appearance when heat output is not the priority. This feature offers a turn-down ratio of up to 72 percent! The Comfort Control works with the GreenSmart split-flow burners, and offers a more efficient way to heat the room by only burning the amount of fuel necessary to keep a constant temperature; so this is another smarter, greener way to enjoy fire in the home. On the 564 DF model the Comfort Control turns off the side burners, keeping the center flame on.



Low Burn



High Burn

## Accent Light(s)

Accent Lights are a standard feature in all Fireplace Xtrordinair GreenSmart fireplaces. This feature adds a warm glow to the interior of the fireplace and can be used when the fire is on or off. Perfect as a night-light or soft indirect light for the room, the Accent Light allows visual enhancement of your fireplace 365 days a year.

## GreenSmart Fuel and Cost Savings

**Example:** A standing pilot fireplace uses .552 therms of gas each day. The average therm of gas is \$1.10, or \$0.60 to run every day - no matter if the fireplace is on or off. 365 days of standing pilot usage equates 201 therms of gas or \$219.

The GreenSmart System helps you save on energy usage and your heating bill. Good for you and good for the environment.

## GreenSmart Split-Flow Burners

We make gas fireplaces in several sizes for different heating needs. Your fireplace will be equipped with either the Dancing-Fyre, Ember-Fyre or Diamond-Fyre burners.



### Dancing-Fyre™ Burner:

The Dancing-Fyre is found in our 564 SS, 864 TRV and 864 ST fireplaces and as an option on the 564 HO and 864 HO models. These models featuring a steel burner where the front and back flame can be operated together for maximum heat output appearance or with only the front flame when lower heat output is needed and provides a smarter, greener way to heat the home.



### Ember-Fyre™ Burner:

The award-winning Ember-Fyre™ burner is found in the 21 TRV, and as an option on the 564 HO and 864 HO models. The Ember-Fyre is known for its gorgeous, dancing yellow-flame fire with flickering embers – it is a split-flow ceramic burner where two separate burners can be operated together for maximum heat output and flame appearance; or with only the front burner for an impressive turn-down ratio.



### Diamond-Fyre™ Burner:

The Diamond-Fyre burner is found in the 564 Diamond-Fyre model featuring an underlit glass bed and as an option in the 564 HO and 864 HO models with standard accent lighting. Both styles of Diamond-Fyre burners allow for maximum heat flexibility by utilizing the Comfort Control switch turning off a portion of the burner when less heat is desired or turn on both burners for maximum heating.

## Upgrade To The GreenSmart Remote Control System:

This revolutionary remote controls all functions with the exception of the pilot switch. You have the option of manual, standard thermostat or "Smart" thermostat operation.

### • Features:

- Manual ON/OFF and adjust flame height
- Standard thermostat setting
- "Smart" thermostat setting
- Fan ON/OFF and Adjust speed
- Accent Light ON/OFF
- Comfort Control ON/OFF

### • "Smart" Thermostat Mode:

This allows the fireplace to automatically adjust the flame height based on the temperature set via the GreenSmart remote control's thermostat. The flame will modulate from low to high, or high to low until the set temperature is reached, thus conserving fuel and maximizing heating ability to extend the viewing pleasure of the fire. If your temperature does exceed the set temperature the fireplace will shut off until more heat is needed.

Use your smart phone or iPad™ to watch a video of home this GreenSmart™ remote works.  
<http://vimeo.com/13502191>



Hand-Held Remote



## Pre-Manufactured Installation Systems

Now it is easy to choose a fireplace system, and it can be installed in an afternoon. Fireplace Xtrordinair, Hearth Classics™, J. C. Huffman™ and Grand Mantel™ have joined together to provide a one-stop solution. You select from the highest-quality gas fireplaces, tile or stone hearth products, and custom wood mantels -- all designed to work in perfect harmony. No need to search for craftsmen or finish carpenters.



- A** Select the Fireplace Xtrordinair fireplace model(s) best suited for your home.
- B** Choose your tile surround and hearth. There are many selections available. Ask your dealer for detail.
- C** Choose your mantel. There are many selections available.  
Consider one of the fine mantels built by:  
J. C. Huffman Cabinet Co.  
[www.jchuffman.com](http://www.jchuffman.com)  
Hearth Classics  
[www.hearthclassics.com](http://www.hearthclassics.com)  
Grand Mantels  
[www.grandmantel.com](http://www.grandmantel.com)  
Ask your dealer for details.
- D** Choose from our large selection of Fireplace Xtrordinair faces.



### Bed & Breakfast Cabinets

Install your Bed & Breakfast fireplace in a pre-built cabinet. Our dealers offer a wide variety of styles and finishes to compliment your home decor. This cabinet allows for quick and easy installation of your fireplace in any room with virtually no remodeling.



### Power Heat Duct Kit

This venting option delivers heat off of the fireplace to additional zone(s) within your home. This allows you to heat more of your home more quickly. At the time of framing determine where you want to direct the heated air

- upstairs, downstairs or anywhere in your home within 20 feet of the fireplace. You have the option of adding one Power Heat Duct Kit on the 864TRV and 864 ST or up to two on the 564 HO and 864 HO. The Bed & Breakfast, 564 Space Saver and 564 Diamond-Fyre models do not have the option of adding the Power Heat Duct Kit.

## Additional Remote and Wall Thermostat Options

Fireplace Xtrordinaire's remote control and wall thermostat options make the operation of your fireplace as easy as setting the temperature on the wall thermostat or pushing a button from the comfort of your living room chair.

**BASIC REMOTE** - This remote offers ON/OFF, manual or programmable thermostat, sleep timer and clock function.

**WALL THERMOSTAT** - The wall thermostat can be wired up to 25 feet from the fireplace and allows you to set your desired room temperature.



Basic Remote  
Thermostat



Wall Thermostat

## Convection Fan

All Fireplace Xtrordinaire fireplaces come with built in heat exchange systems and convection chambers that naturally circulate warm air throughout your home. You can increase the movement of heat into the room with a convection fan. A convection fan helps quickly move heat off the fireplace and transfer it into your living space. The 564 HO and 864 HO have the 180 CFM Convection Fan as a standard feature. The convection fan on the 21 TRV, 564 SS, 564 DF, 864 TRV and 864 ST are optional and can be ordered separately.

## Covered Outdoor Room Installation

The outdoor living room is the most asked for room addition found in new home construction and remodels. Now you can add the beauty of fire to your outdoor living environment with a fireplace by Fireplace Xtrordinaire. All the gas fireplaces in this brochure are approved for outdoor installation when installed in a covered porch or if the fireplace is protected by a roof overhang. Fireplaces must be protected from direct water impingement. In addition to maintaining listed mantel and combustible clearances, a rain protection overhang factor of 0.5 (i.e.: 0.5 feet of overhang for every 1.0 foot of roof line elevation above the base of the fireplace) must be constructed to the front and to each side of installed fireplace. All wiring connections to power must be in accordance with outdoor requirements of NECA NFPA70. Note: The 864 ST is not designed as an indoor/outdoor fireplace and cannot be placed in an exterior wall.



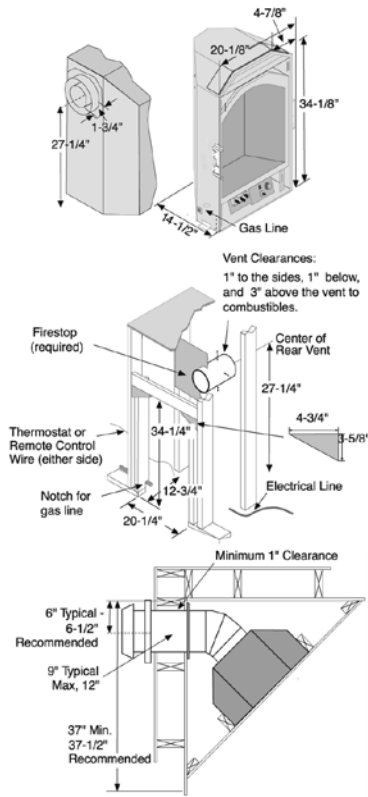
## Child Protection

Children, like most of us are fascinated by fire, and for families with young children, fireplaces pose a potential safety hazard. Here are a few things you can do to keep your kids safe around your new fireplace. Take the time to educate young children about the dangers of fire and the hot surface temperatures of glass and metal surrounding the fireplace. Never leave young ones unsupervised around a burning fireplace as children, toddlers especially, like to throw things that could potentially break the glass or melt to the surface and release toxic fumes. If you have an infant or toddler consider installing a fire screen; make sure it's tall enough so that children can't climb over it, and that it's placed far enough away so that reaching arms can't touch the surfaces of the fireplace. A few precautions such as these will allow everyone in your home to safely enjoy the comfort and warmth of your new gas fireplace.

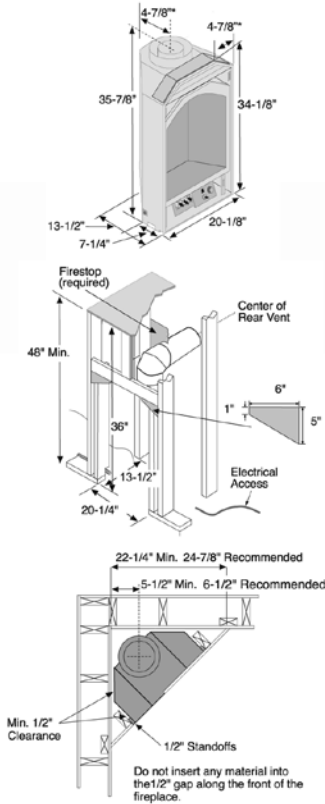




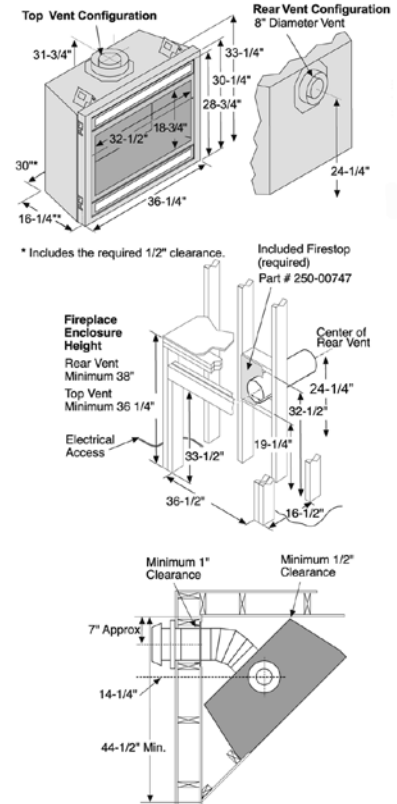
### 21 TRV GS Rear Vent Bed & Breakfast



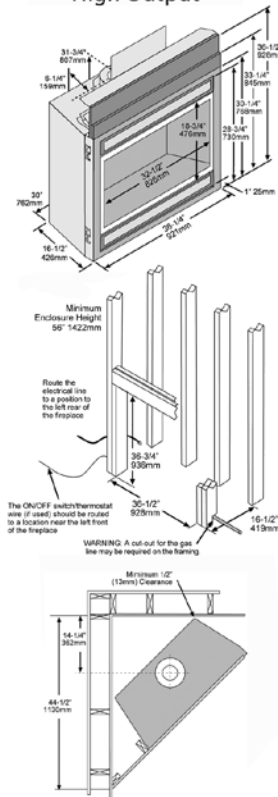
### 21 TRV GS Top Vent Bed & Breakfast



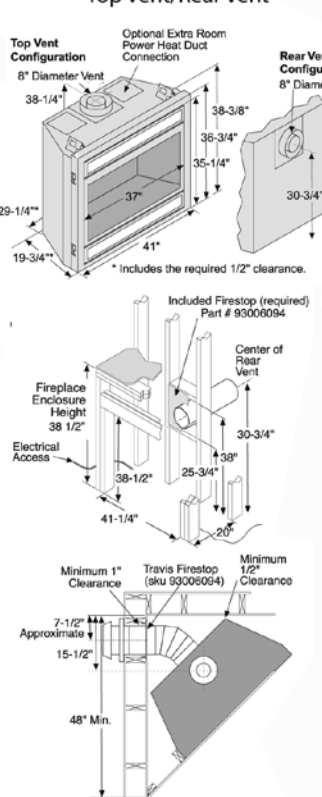
### 564 SS GS & 564 DF Space Saver Diamond-Fyre



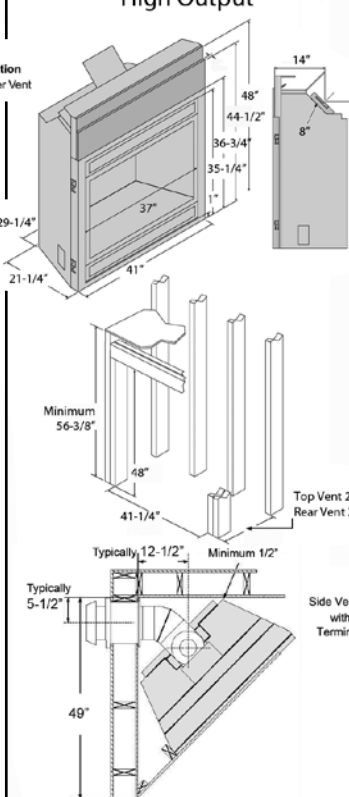
### 564 HO High Output



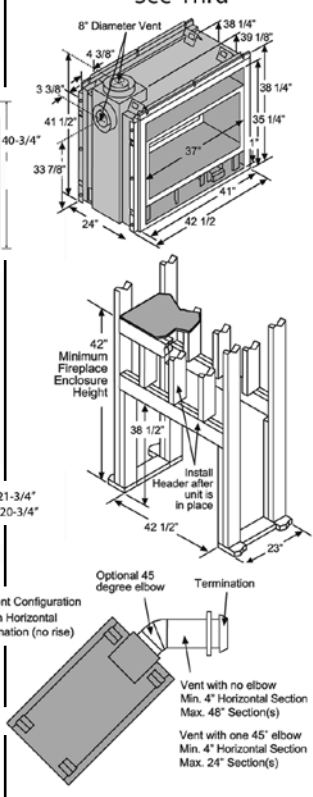
### 864 TRV GS Top Vent/Rear Vent



### 864 HO GS High Output



### 864 ST GS See-Through



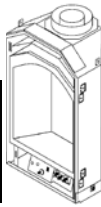
# GreenSmart Fireplaces

The dimensions and clearances on this page are for reference only!

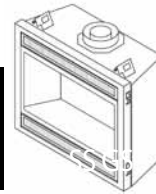
Refer to the Owner's Manual prior to installation

\*Ember-Fyre™ Protected By U.S. Patent #6,602,068, #6,443,726 and other patents pending.

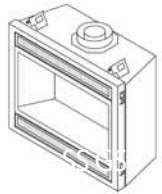
**21**  
TRV GS



**564**  
SS GS



**564**  
DF GS



SPECIFICATIONS	21 TRV	564 Space Saver	564 Diamond-Fyre
Height (including standoffs)	35-7/8"	33-1/4"	33-1/4"
Width	20-1/8" Front	36-1/4"	36-1/4"
Depth	13 1/2" Top Vent, 14" Rear Vent	16-1/4" (Includes 1/2" clearance)	16-1/4" (Includes 1/2" clearance)
Flue Diameter	8"	8"	8"
Unit Weight	97 lbs.	155 lbs.	155 lbs.
Burner System	Ember-Fyre™*	Dancing-Fyre™	Diamond-Fyre™
Glass Area (will vary slightly with face plate design)	17-5/8" W x 23-1/4" H, 394 sq. in.	30-3/8" W x 18 1/8" H = 564 sq. in.	30-3/8" W x 18 1/8" H = 564 sq. in.
Powerful Fan	YES - 90 CFM (Optional)	YES - 180 CFM (Optional)	YES - 180 CFM (Optional)
Power Duct Option	NO	NO	NO

PERFORMANCE*	*Gas appliance performance can be affected by negative pressure in the home and by prevailing atmospheric conditions. Efficiency may vary or fire officials about restrictions and installation requirements in your area.		
Heating Capacity*	Up to 650 Sq. Ft.	Up to 950 Sq. Ft.	Up to 950 Sq. Ft.
BTU Input High/Output Low (NG)*	16,500 - 3,780 (64% Turndown)	20,500 - 5,100 (75% Turndown)	20,500 - 5,100 (75% Turndown)
BTU Input High/Output Low (LP)*	16,500 - 3,150 (70% Turndown)	20,500 - 4,200 (80% Turndown)	20,500 - 4,200 (80% Turndown)
Steady State Efficiency* (maximum venting)	82.2% (NG) 79.5% (LP)	76.5% (NG) 78.3% (LP)	76.5% (NG) 78.3% (LP)
Canada EnerGuide Efficiency*	65.2% (NG) 68.97% (LP)	67.7% (NG) 70.11% (LP)	67.7% (NG) 70.11% (LP)

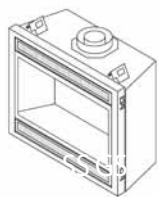
COMBUSTIBLE CLEARANCES	Always consult the Owner's Manual before beginning any installation. Installation and framing information is		
<p>All Measurements taken from fireplace face.</p> <p>A= To Mantel      D= To Side Facing B= To Top Facing    E= Front Hearth C= To Sidewall      F= Hearth Width</p>	<p>The Bed &amp; Breakfast fireplace requires a 1" minimum clearance from face to sidewall. Combustibles can be installed up to the standoffs on the unit. If a mantel is used please see Owner's Manual for minimum clearances.</p> <p>The height of the Bed &amp; Breakfast fireplace enclosure must be a minimum of 48" above the base of the fireplace.</p> <p>If placed on a raised hearth, the ceiling above the Bed &amp; Breakfast must be at least 57" measured from the base of the fireplace.</p>	<p>A = 38-1/2"* (measured from base of fireplace)</p> <p>B = 0"</p> <p>C = 1"</p> <p>D = 0"</p> <p>E = None Required</p> <p>F = None Required</p> <p>*0" to 12" maximum mantel depth. See Owner's manual for details</p>	<p>A = 38-1/2"* (measured from base of fireplace)</p> <p>B = 0"</p> <p>C = 1"</p> <p>D = 0"</p> <p>E = None Required</p> <p>F = None Required</p> <p>*0" to 12" maximum mantel depth. See Owner's manual for details</p>

## TESTING & INSTALLATION INFORMATION

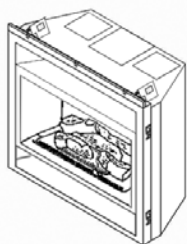
Tested and Listed by OMNI-Test Laboratories Inc. and Intertek Testing Services to ANSI Z21.88b-2001 "Vented Gas-Fired Direct Fireplace Heater." Must be installed in accordance with all local codes, if any; if not, follow ANSI Z223.1 and the requirements listed in the Owner's Manual.



**564**  
HO GS



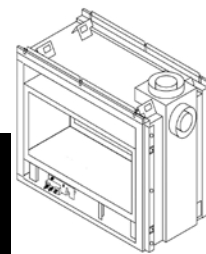
**864**  
TRV GS



**864**  
HO GS



**864**  
ST GS



564 High Output	864 TRV	864 High Output	864 See-Thru
-----------------	---------	-----------------	--------------

33-1/4"	38-3/8"	48"	38-1/4"
36-1/4"	41"	41"	41"
16-1/4" (Includes 1/2" clearance)	19-3/4" (Includes 1/2" clearance)	21-1/4"	24" (Includes 1/2" clearance)
8"	8" Rear or 8" Top (Top can be reduced to 6 5/8")	8" Rear or 8" Top (Top can be reduced to 6")	8" (Top vent can be reduced to 6")
175 lbs.	181 lbs.	394 lbs.	310 lbs.
Ember-Fyre™, Dancing-Fyre™, Diamond-Fyre™	Dancing-Fyre™	Ember-Fyre™**	Dancing-Fyre™
30-3/8" W x 18 1/8" H = 564 sq. in.	36" W x 24" H = 864 sq. in.	36" W x 24" H = 864 sq. in.	Each side 36" W x 24" H = 1728 sq. in.
YES - 180 CFM (Standard)	YES - 180 CFM (Optional)	YES - 260 CFM (Standard)	YES - 130 CFM (Optional)
YES (One)	YES (One)	YES (One or Two)	YES (One)

depending on vent configuration and atmospheric conditions. Contact local building

Up to 1,400 Sq. Ft.	Up to 1,400 Sq. Ft.	Up to 2,500 Sq. Ft.	Up to 1,500 Sq. Ft.
35,000 - 10,400 (71% Turndown)	31,000 - 10,000 (78% Turndown)	46,700 - 12,500 (73% Turn Down)	37,500 - 14,700 (75% Turndown)
35,000 - 7,500 (79% Turndown)	31,000 - 8,000 (83% Turndown)	46,700 - 9,000 (81% Turn Down)	37,500 - 10,000 (80% Turndown)
72% (NG) 73% (LP)	80% (NG) 81% (LP)	81.5% (NG) 81% (LP)	79.5% (NG) 80.1% (LP)
64% (NG) 66% (LP)	68.36% (NG) 67.79% (LP)	71.1% (NG) 72.2% (LP)	70.77% (NG) 70.71% (LP)

available at your local Fireplace Xtrordinair dealer or on our website at [www.fireplacex.com](http://www.fireplacex.com)

A = 38-1/2"* (measured from base of fireplace)	A = 40-3/4" to 48-3/4"* (measured from base of fireplace)	A = 47-3/4" to 52-3/4"* (measured from base of fireplace)	A = 48-3/4"* (measured from base of fireplace)
B = 0"	B = 0"	B = 7 3/4"	B = 0"
C = 1"	C = 1"	C = 5"	C = 3-1/4"
D = 0"	D = 0"	D = 0"	D = 2-1/8"
E = None Required	E = None Required	E = None Required	E = None Required
F = None Required	F = None Required	F = None Required	F = None Required
*0" to 12" maximum mantel depth. See Owner's manual for details	*Will vary depending mantel depth. 0" to 12" maximum mantel depth. See Owner's manual for details  Note: Each face plate design varies in dimension slightly.	*Will vary depending mantel depth. 0" to 12" maximum mantle depth. See Owner's manual for details  Note: Each face plate design varies in dimension slightly.	*Will vary depending mantel depth. 0" to 12" maximum mantle depth. See Owner's manual for details  Note: Each face plate design varies in dimension slightly.

**NOTE:** Improper installation of your gas appliance or failure to operate it in accordance to the guidelines detailed in the Owner's Manual may negate your warranty and endanger your home and family. Installation information is available on our website at [www.fireplacex.com](http://www.fireplacex.com). We recommend all Fireplace Xtrordinair appliances be installed and maintained on an annual basis by your Specialty Hearth Retailer.



## Real World Warranty

Your gas fireplace is backed by up by a network of Specialty Hearth Dealers and certified factory trained Installers. Fireplace Xtrordinair warrants our products to be free from defects in material and workmanship for a period up to 7 years from date of purchase. All parts, electronics (except light bulbs), and labor are covered for a full 2 years. Trim and faces are covered for a period of two years. No other manufacturer's warranty can compare.

## Additional Fireplace Xtrordinair Products

If you are in the market for other hearth products, Fireplace Xtrordinair manufactures a full line-up of wood, gas and electric fireplaces and wood and gas fireplace inserts.



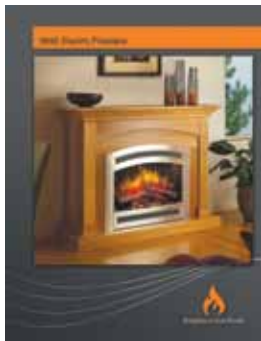
### Gas Burning Inserts

Turn your old, open masonry or metal (zero clearance) fireplace into a clean, efficient source of heat for your home. Fireplace Xtrordinair offers a complete line of heater rated wood and gas inserts to fit virtually any existing fireplace.



### Wood Burning Fireplaces

If you prefer heating with wood, Fireplace Xtrordinair also manufactures a line of EPA Certified clean burning fireplaces that feature the remarkable Posi-Pressure complete home heating system.



### Electric Fireplaces

Fireplace Xtrordinair 21E and 564E Electric Fireplace offers the convenience of adding a fireplace to any room within your home. With no venting required, installation can be completed in as little as one hour. Both fireplaces offer a selection of finish faces to match any home decor.



### Illuminations

The Illuminations™ Electric Fireplace is a Unique product designed to mimic the beauty of real burning candles. With a flick of a light switch or remote control, add ambiance and light without the mess or safety issues of candles. Can be installed either single-sided or as a see-thru units.



### Wood Burning Inserts

Fireplace Xtrordinair offers two flush to the fireplace wood burning inserts. The 33 Elite Plus and the Large Flush Wood Hybrid-Fyre™ insert that features super clean burn, high efficiency and the revolutionary GreenStart auto wood igniter.



### Xtreme™

For the ultimate in design and fire style Fireplace Xtrordinair offers the Xtreme gas fireplace. Featuring a huge 60" wide by 20" tall glass fire viewing area and a collection of unique Fire Sculpture™ interior art.



fireplacextrordinair™  
REDISCOVER FIRE

See our complete line of fireplaces  
Visit us online: [www.fireplacex.com](http://www.fireplacex.com)

We reserve the right to change and improve our product at any time without prior notification. Please refer to the Owner's Installation Manual for complete installation requirements. Photos and illustrations are for descriptive purposes only • Copyright © 05/2012

#98800241