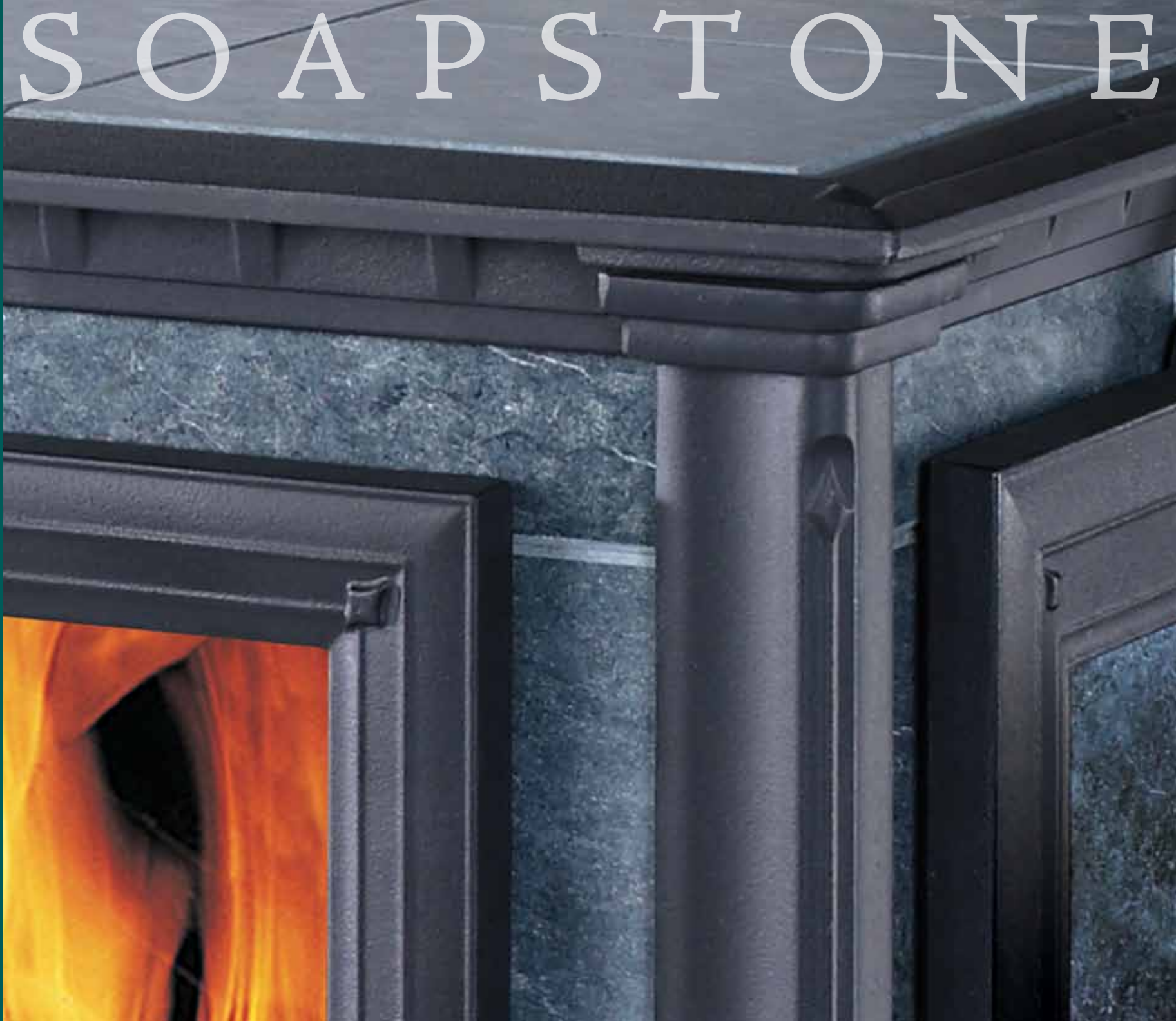


 **hearthstone**
select collection

SOAPSTONE



Creating Warmth... Inspiring Comfort.

There is a decided difference between a house and a home. It's about creating a warm welcome that goes well beyond heating – an ambiance that reflects your personal style and beckons with its genial embrace. This concept is at the heart of every HearthStone® Stove. Designed with the beauty of a fine piece of furniture, a HearthStone Stove combines reliability with time-tested craftsmanship to become an essential part of your unique home experience.



S O A P S T O N E



HERITAGE PELLET
PG 6



EQUINOX
PG 7



MANSFIELD
PG 8



PHOENIX
PG 9



HERITAGE
PG 10



HOMESTEAD
PG 11



TRIBUTE
PG 12



CLYDESDALE
PG 13

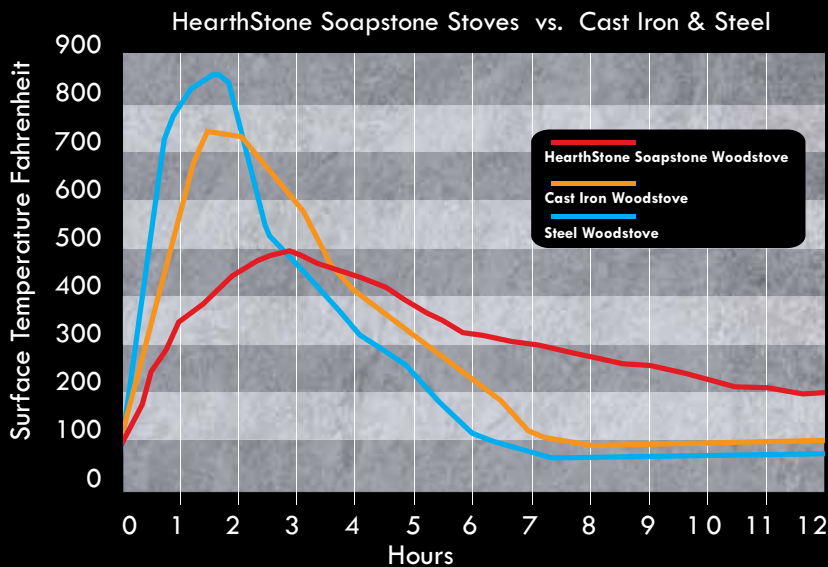


MORGAN
PG 14

Soapstone: The Signature of Luxury

There is nothing quite like soapstone. Extraordinarily beautiful and possessing remarkable stability, soapstone is the ideal stove component. HearthStone harnesses this magic to create our finest family of stoves: the Select Collection. Crafted with hand-selected soapstone, these stoves are brilliant for their functionality as well as their design, and are testament to HearthStone's proud heritage of fine stove-making.

The superior quality of these stoves starts with the material itself. Storing more heat for its weight than any other naturally occurring material, soapstone panels absorb the high heat of the fire to emanate natural, even warmth long after the fire dissipates. Soapstone is what gives HearthStone Select stoves superior HeatLife™ – and what has made the HearthStone brand the most popular soapstone stove on the market.



Your Stove, Your Style

The soapstone panels incorporated in the Select series are all hand-chosen and hand-matched to create a coordinated and highly individual pattern of understated elegance. From distinct grains to subtle nuances of color, within each stove a thoughtful design is matched with this careful complement of materials to guarantee each HearthStone soapstone stove bears its own unique signature, and holds the qualities you would expect of a favorite heirloom.

The result is a stove that is remarkably efficient, functional, durable, and beautiful, and showcases the warmth of your personal character in your home. 🔥



STERLING
PG 15



TUCSON DX
PG 16



TRIBUTE DV
PG 17



MAIDSTONE
PG 18



WILLOUGHBY
PG 19



KILLINGTON
PG 20

HearthStone Products are made in Vermont by people who take great pride in their work. There's no assembly line – just a keen understanding of the need for efficiency and functionality. As well as the desire for stunning presentations that can serve as the centerpiece of a room.

What's in a Name? Everything.

The HearthStone brand is an assurance – a guarantee that your appliance is built in the rich tradition of our company, and will serve you faithfully for years to come.

Your HearthStone purchase represents not only the latest in aesthetic advances, but also the utmost in powerful heating technology. It's this integrity that gives HearthStone Stoves their unmatched appeal, and has for over 35 years.



There's a HearthStone that's Perfect for You...

Carbon-neutral wood-burning or ultra-efficient gas-fired. Classically styled or contemporary. For heating your entire home or just warming a single room. With so many choices – and so many finishes – the joy of HearthStone is that there's bound to be one that's perfect for you.

We invite you to get acquainted with our vast collection of freestanding stoves and inserts, starting on these pages. From rustic to elegant, casual to formal, HearthStone is an ideal way to bring home a special warmth – to create the heart of your home.



Live Green

Did you know that a tree decomposing in the forest emits the same amount of carbon dioxide into the air as burning that same tree in an efficiently burning HearthStone woodstove?

At HearthStone, our business is filling family homes with warmth – not just today, but for future generations as well. Whether fueled by wood or gas, our family of stoves offers viable alternative heat sources that are highly environmentally conscious. Our woodstoves utilize modern, low-emission combustion technology to create carbon-neutral burning – a factor that is a top priority for us. Similarly, our gas stoves bring the benefits of efficient zone heating, and accordingly help reduce CO₂ emissions.

We're working hard to preserve nature by providing heating solutions that can help lessen the greenhouse effect. And we will continue to make climate protection – both today and tomorrow – a vital and important goal.

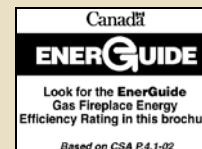


Our Hergöm foundry is committed to innovative programs and new initiatives that mitigate our impact on the environment. These environmental efforts are aimed to meet the European IPPC (Integrated Pollution Prevention and Control) standards.

EnerGuide is a Government of Canada rating system that provides consumers with comparative information on the energy performance of energy-using products sold in Canada. For more information on the EnerGuide Program, please go to the EnerGuide Web site at: www.oec.nrcan.gc.ca/equipment/

Warranty: HearthStone warrants all its wood and gas stoves and inserts to the original purchaser for the lifetime of the appliance to be free from defects in material and workmanship, with certain limitations as defined in our Limited Lifetime Warranty policy.

See your HearthStone dealer for complete details and a copy of our warranty policy.



HERITAGE PELLET

PELLET STOVE

COMBINING FINE-LINED EUROPEAN CAST IRON WITH PROVEN TECHNOLOGY

Heating input of: 15,300 - 51,000 BTUs | EPA certified at 1.3 grams per hour

Efficiency rating up to 87% | Heats up to: 2,000 sq. ft. | Model: #8090

FINISH OPTIONS:

Brown majolica enamel



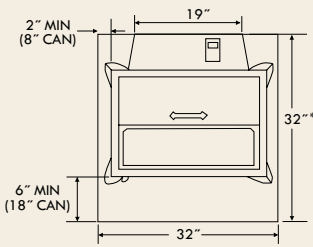
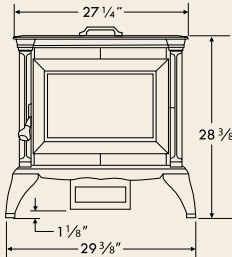
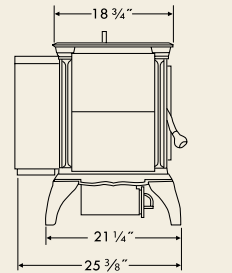
Sahara sandstone



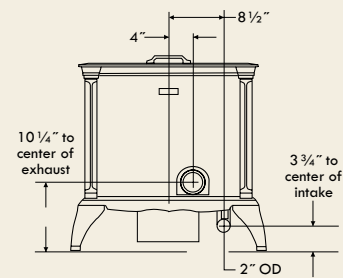
Painted matte black



Polished gray soapstone



Minimum floor protection
*Horizontal venting, see owner's manual.



Heritage Pellet featured with brown majolica enamel finish and sahara sandstone.



Matte black/soapstone

FOR ADDITIONAL SPECIFICATIONS AND OPTIONS, TURN TO PAGE 23

PELLET STOVE

EQUINOX WOODSTOVE

A POWERHOUSE THAT HEATS THE MOST GENEROUS LIVING SPACES

Size: 120,000 BTUs | Heats up to: 3,500 sq. ft.

EPA rating: 3.1 grams per hour | Maximum log length: 25" | Model: #8000

CASTING FINISH:

Painted matte black

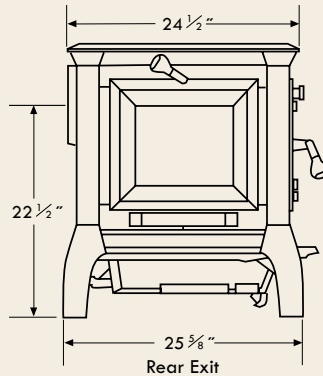
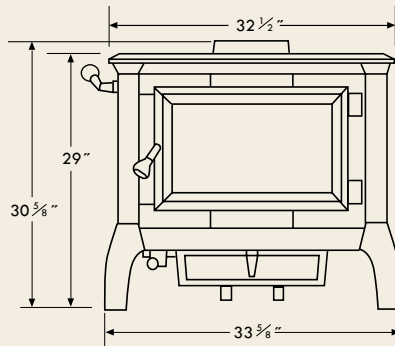


STONE FINISH:

Polished soapstone

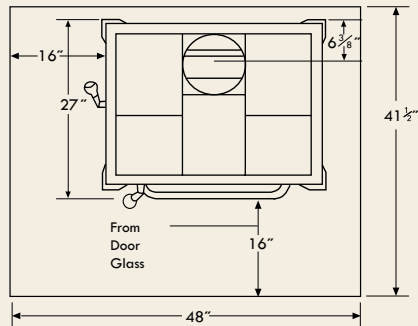


Available left-side load
(8000-4110)
or
right-side load
(8000-4110R)



U.S. Minimum Hearthpad Dimensions*

Does not include the distance from the stove to the wall.



*For Canadian, refer to pages 28 & 29.

FOR ADDITIONAL SPECIFICATIONS
AND OPTIONS, TURN TO PAGES 21 & 24



*Equinox featured with painted
matte black finish.*

*Shown with left-hand side door.
Right-hand side door available.*

MANSFIELD

WOODSTOVE

RELAXED GOOD LOOKS THAT DELIVER
LASTING WHOLE-HOUSE WARMTH

Size: 80,000 BTUs | Heats up to: 2,500 sq. ft. | EPA rating: 2.9 grams per hour
Maximum log length: 21" | Model: #8011

CASTING FINISH:

Painted matte black



Black high-gloss enamel



Blue/black satin enamel

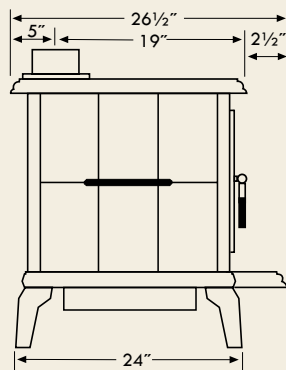
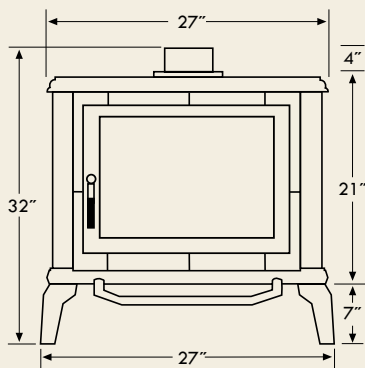


Brown majolica enamel

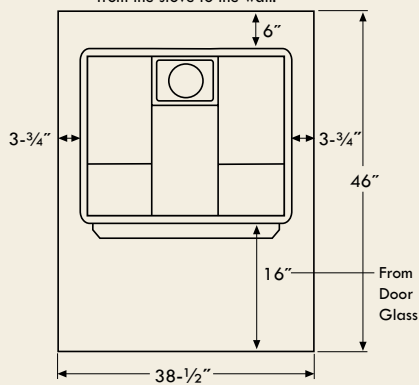


STONE FINISH:

Polished soapstone

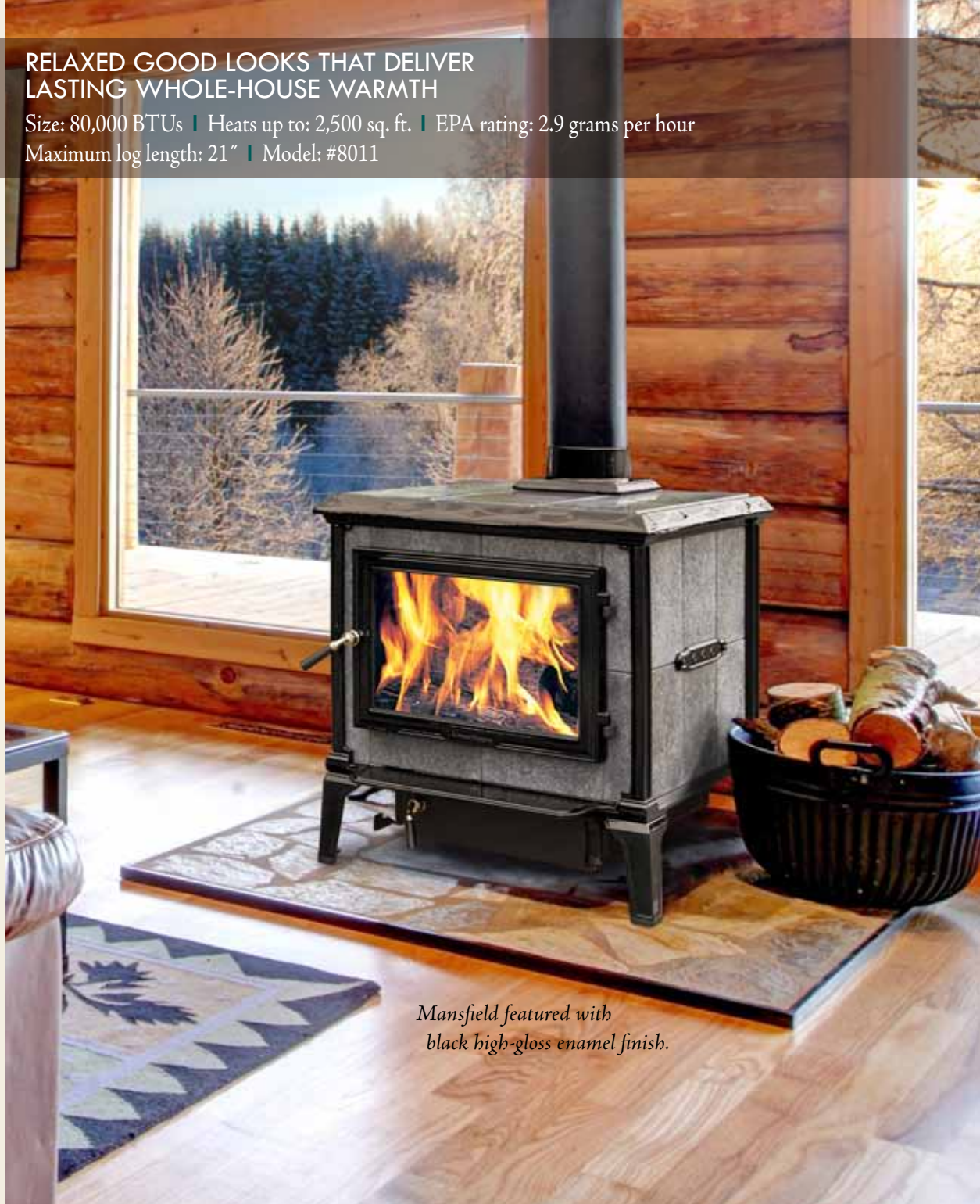


U.S. Minimum Hearthpad Dimensions*
Does not include the distance
from the stove to the wall.



*For Canadian, refer to pages 28 & 29.

FOR ADDITIONAL
SPECIFICATIONS
AND OPTIONS,
TURN TO PAGES
21 & 24



*Mansfield featured with
black high-gloss enamel finish.*

PHOENIX WOODSTOVE

A CAST & SOAPSTONE HYBRID FOR BOTH QUICK & LASTING HEAT
 Size: 60,000 BTUs | Heats up to: 2,000 sq. ft. | EPA rating: 2.4 grams per hour
 Maximum log length: 21" | Model: #8612

CASTING FINISH:

Painted matte black



Black high-gloss enamel



Blue/black satin enamel

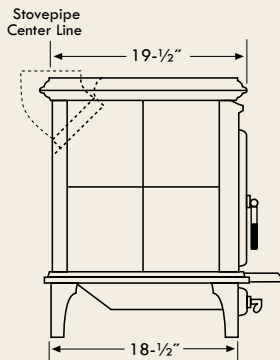
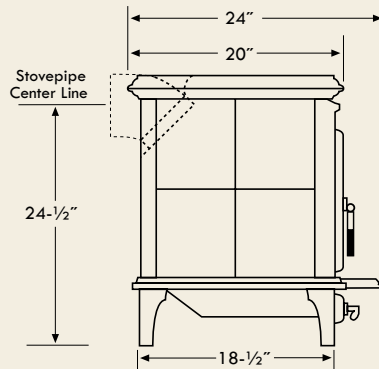
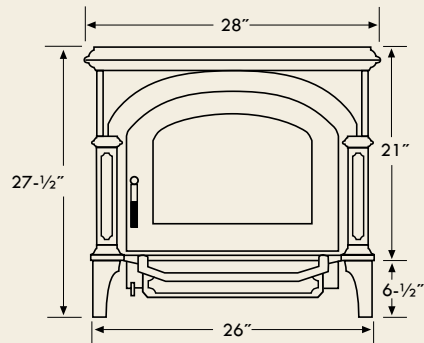


Brown majolica enamel

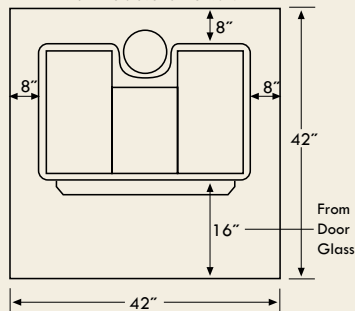


STONE FINISH:

Polished soapstone



U.S. Minimum Hearthpad Dimensions*
 Does not include the distance
 from the stove to the wall.



*For Canadian, refer to pages 28 & 29.

*Phoenix featured with
 blue/black satin enamel finish.*



FOR ADDITIONAL SPECIFICATIONS
 AND OPTIONS, TURN TO PAGES 21 & 24

HERITAGE

WOODSTOVE

THE CONVENIENCE OF SIDE LOADING –
THE LUXURY OF ENDURING MIDSIZE-HOME WARMTH

Size: 55,000 BTUs | Heats up to: 1,900 sq. ft. | EPA rating: 2.7 grams per hour
Maximum log length: 21" | Model: #8021

CASTING FINISH:

Painted matte black



Black high-gloss enamel



Blue/black satin enamel



Brown majolica enamel

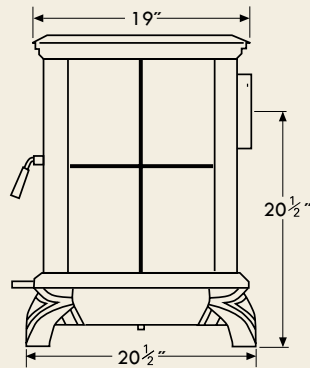
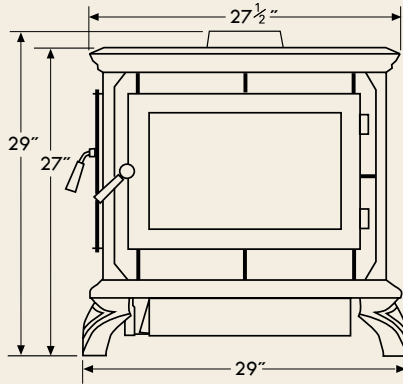


Seafoam majolica enamel



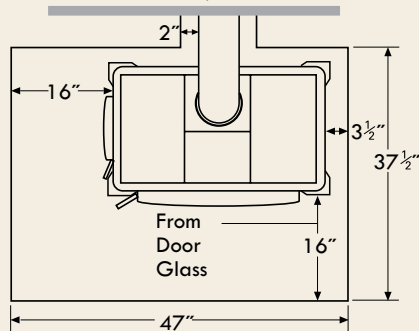
STONE FINISH:

Polished soapstone



U.S. Minimum Hearthpad Dimensions*

Does not include the distance from the stove to the wall.



*For Canadian, refer to pages 28 & 29.



Heritage featured with seafoam majolica enamel finish.

FOR ADDITIONAL SPECIFICATIONS
AND OPTIONS, TURN TO PAGES 21 & 24

HOMESTEAD

WOODSTOVE

GENEROUS HEAT MEETS VERSATILE FREESTANDING OR HEARTH-MOUNT STYLE

Size: 50,000 BTUs | Heats up to: 1,800 sq. ft. | EPA rating: 1.9 grams per hour
Maximum log length: 21" | Model: Freestanding – #8750-F, Hearth-mount – #8750-H

CASTING FINISH:

Painted matte black



Black high-gloss enamel



Blue/black satin enamel



Brown majolica enamel

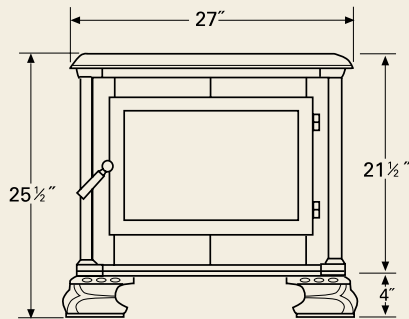


Seafoam majolica enamel

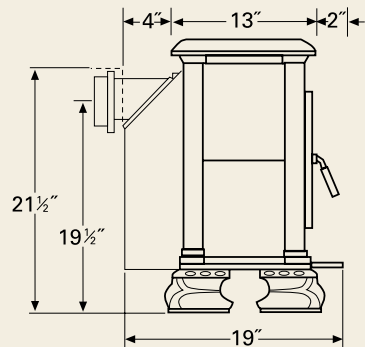


STONE FINISH:

Polished soapstone

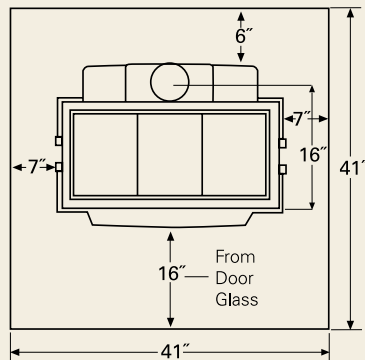


Available with 4" and 6" legs. Dimensions shown here are with 4" legs, add 2" for 6" legs.



U.S. Minimum Hearthpad Dimensions*

Does not include the distance from the stove to the wall.



*For Canadian, refer to pages 28 & 29.



Homestead hearth-mount model (8750-H) with 4" legs featured in blue/black enamel finish.



Homestead free-standing model (8750-F) with 6" legs featured in black enamel finish.

FOR ADDITIONAL SPECIFICATIONS
AND OPTIONS, TURN TO PAGES 21, 24, 25

TRIBUTE

WOODSTOVE

CLASSIC SOAPSTONE, SCALED TO ACCENTUATE
A MORE MODERATE SPACE

Size: 36,000 BTUs | Heats up to: 1,000 sq. ft. | EPA rating: 3.0 grams per hour
Maximum log length: 16" | Model: #8040

CASTING FINISH:

Painted matte black



Blue/black satin enamel



Brown majolica enamel

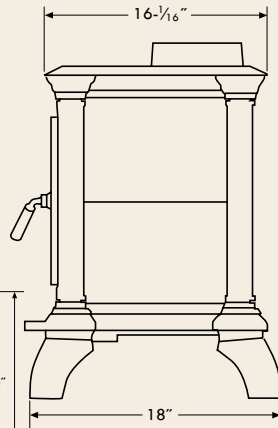
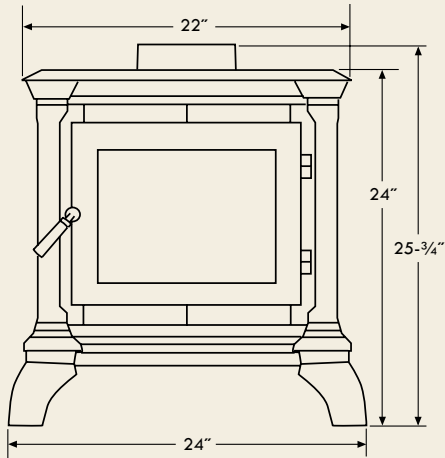


Seafoam majolica enamel



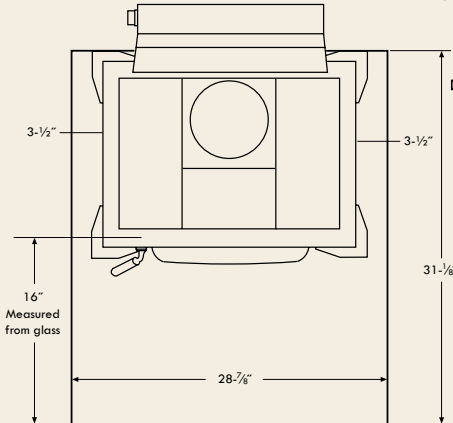
STONE FINISH:

Polished soapstone



U.S. Minimum Hearthpad Dimensions*

Does not include the distance from the stove to the wall.



Tribute featured with seafoam majolica enamel finish.

FOR ADDITIONAL SPECIFICATIONS
AND OPTIONS, TURN TO PAGES 21 & 25

CLYDESDALE

WOOD INSERT

TRANSFORMS A FIREPLACE INTO A HEAT SOURCE –WITH A LARGE VIEWING AREA

Size: 75,000 BTUs | Heats up to: 2,000 sq. ft. | EPA rating: 3.1 grams per hour
 Maximum log length: 22" | Model: #8491

CASTING FINISH:

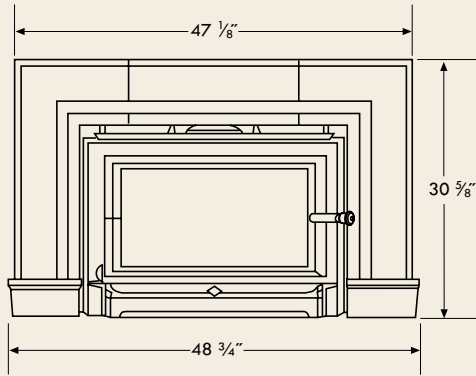
Painted matte black



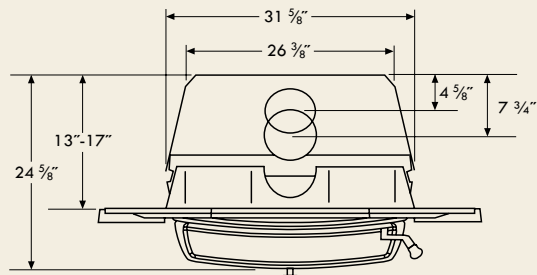
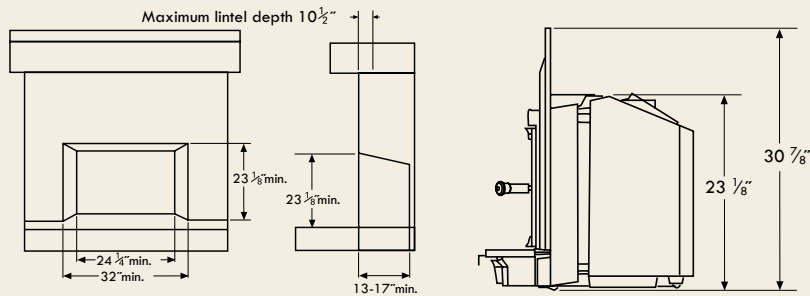
Blue/black satin enamel



Brown majolica enamel



Shown with optional Surround Base Cap accessory kit



FOR ADDITIONAL SPECIFICATIONS AND OPTIONS, TURN TO PAGES 22 & 25



Clydesdale featured with brown majolica finish

MORGAN

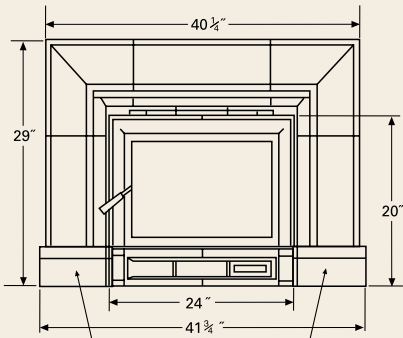
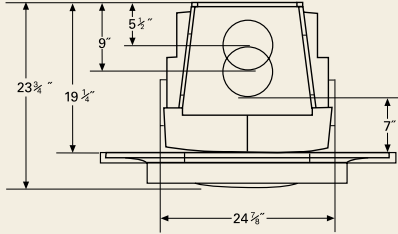
WOOD INSERT

FUNCTIONAL MEDIUM-SPACE HEAT –
STRAIGHT FROM A FIREPLACE

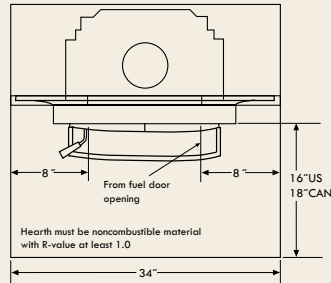
Size: 40,000 BTUs | Heats up to: 1,200 sq. ft. | EPA rating: 4.3 grams per hour
Maximum log length: 18" | Model: #8470

CASTING FINISH:

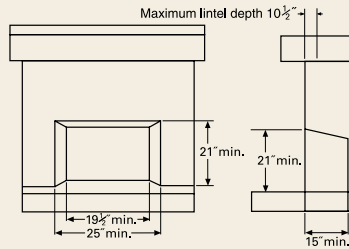
Painted matte black



Shown with optional Surround Base Cap accessory kit



Hearth must be noncombustible material with R-value at least 1.0



Clearances (inches)

Side wall	A	13"
Mantle and top trim	B	34"
Mantle with mantle shield kit	B	22"
Side trim ≤ 1/2" projection	C	3"

Morgan featured with painted matte black finish.



FOR ADDITIONAL SPECIFICATIONS
AND OPTIONS, TURN TO PAGES 22 & 25

STERLING

DIRECT-VENT GAS STOVE

A CENTERPIECE FOR CREATING SUBSTANTIAL WARMTH IN YOUR HOME

Burn Rate Range: 12,000 - 38,000 BTUs/hr. (top vent), 12,000 - 33,000 BTUs/hr. (rear vent)
 EnerGuide Rating: 74% | Steady State Efficiency: up to 85% | Heats up to: 1,800 sq. ft. | Model: #8532

CASTING FINISH:

Painted matte black



Brown majolica enamel



STONE FINISH:

Polished soapstone



Aztec green marble



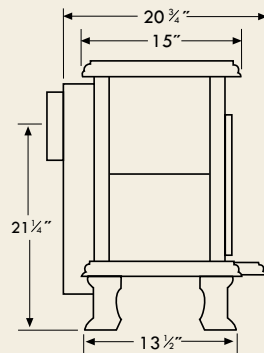
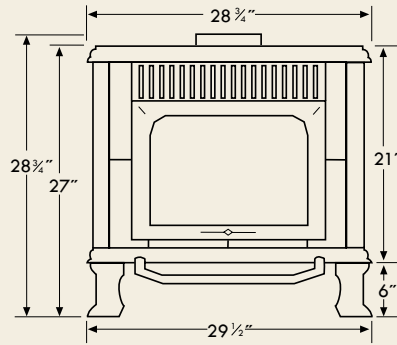
Autumn brown granite



Dakota red granite



Black orion granite



Sterling-Ht Direct-Vent featured with autumn brown granite and brown majolica enamel finish.



FOR ADDITIONAL SPECIFICATIONS AND OPTIONS, TURN TO PAGES 22 & 26

TUCSON DX

DIRECT-VENT GAS STOVES

WARMTH AND COMFORT WITH A SLEEK NEW LOOK

Burn Rate Range – NG: 18,000 - 25,000 BTUs/hr., LP: 21,600 - 25,000 BTUs/hr. | EnerGuide Rating: 61%
Steady State Efficiency: 83% | Heats up to: 1,200 sq. ft. | Model: #8702DX

CASTING FINISH:

Painted matte black



Brown majolica enamel



Basil majolica enamel



STONE FINISH:

Polished soapstone



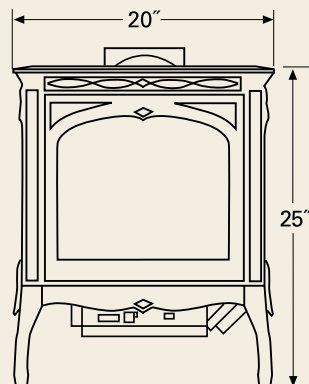
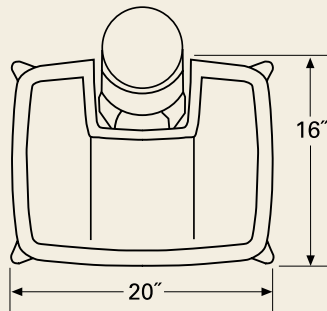
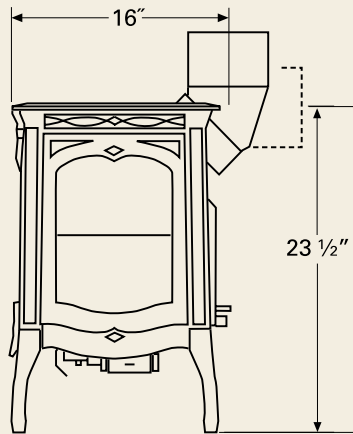
Autumn brown granite



Antique pine green

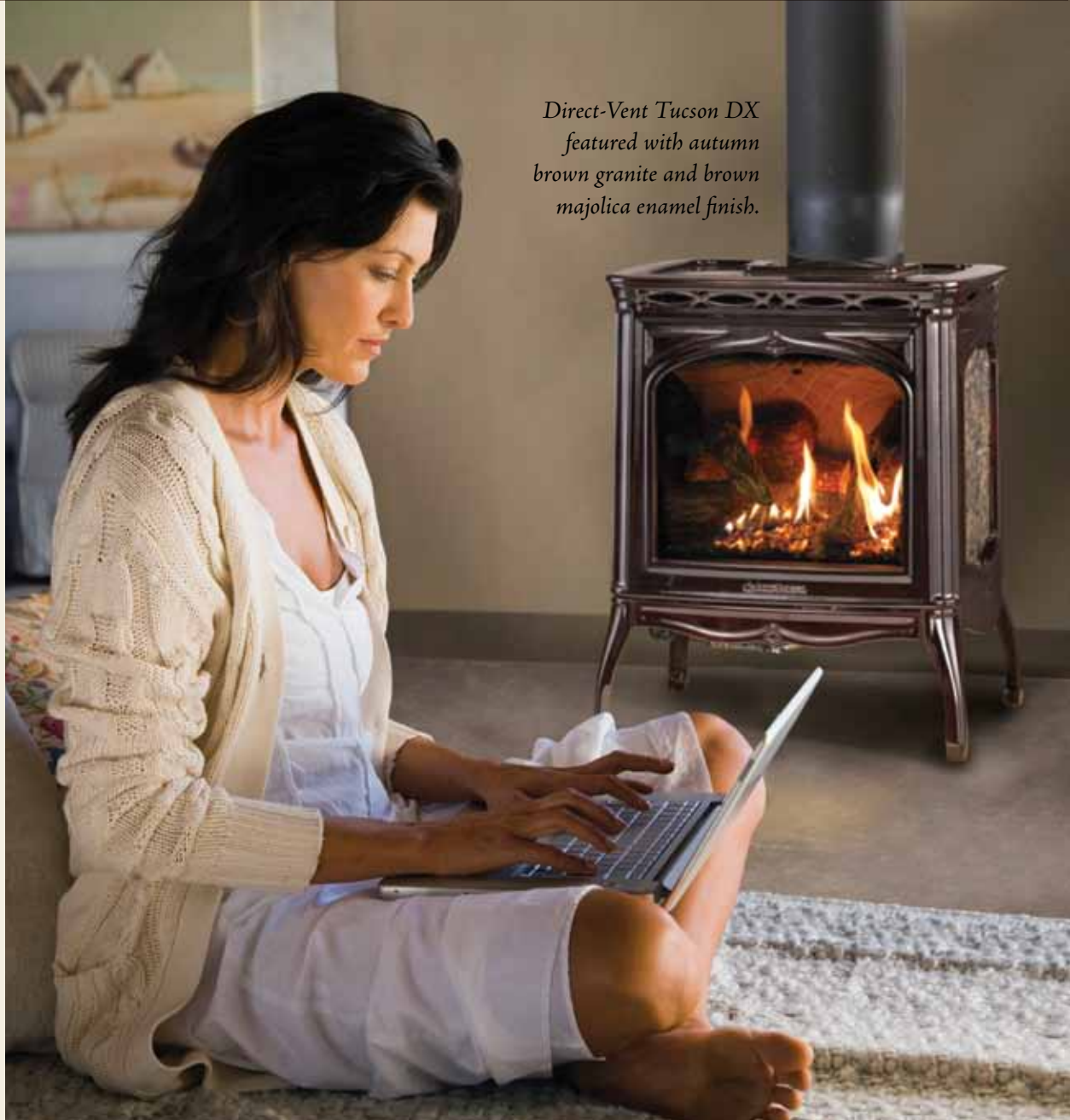


Antique kodiac brown



FOR
ADDITIONAL
SPECIFICATIONS
AND OPTIONS,
TURN TO PAGES
22 & 26

*Direct-Vent Tucson DX
featured with autumn
brown granite and brown
majolica enamel finish.*



TRIBUTE DV

DIRECT-VENT GAS STOVE

CLASSIC STONE STYLING & WARMTH
FOR FULL-SIZE ROOM COMFORT

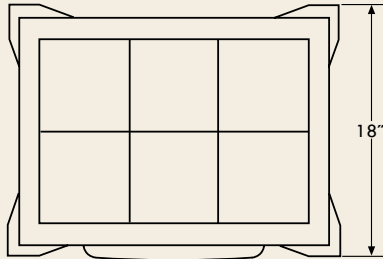
Burn Rate Range: 10,500 - 18,000 BTUs/hr. | EnerGuide Rating: 66.3%
Steady State Efficiency: up to 82% | Heats up to: 900 sq. ft. | Model: #8050

CASTING FINISH:

Painted matte black



Brown majolica enamel



STONE FINISH:

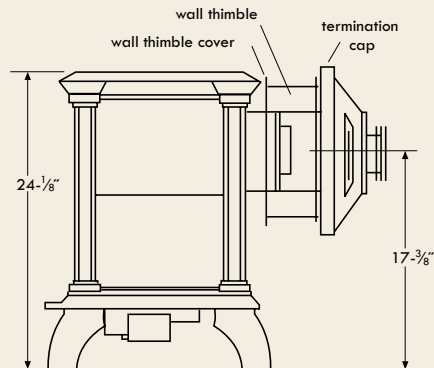
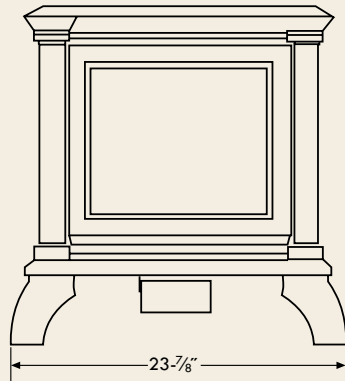
Polished soapstone



Autumn brown granite



Dakota red granite



Components for a minimum
horizontal-vent configuration

Tribute Direct-Vent featured with autumn brown granite and brown majolica enamel finish.



FOR ADDITIONAL SPECIFICATIONS
AND OPTIONS, TURN TO PAGES 23 & 26

DVI-HT MAIDSTONE

DIRECT-VENT GAS INSERT

UPDATE A ROOM WITH EFFICIENCY, WARMTH AND CHARM

Burn Rate Range: 13,000 - 33,000 BTUs/hr. | EnerGuide Rating: 67.71%
 Steady State Efficiency: up to 83% | Heats up to: 1,500 sq. ft. | Model: #8890

CASTING FINISH:

Painted matte black



Blue/black satin enamel



Brown majolica enamel

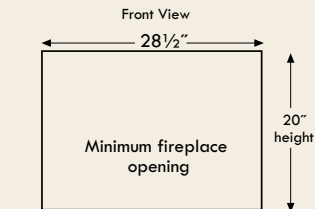
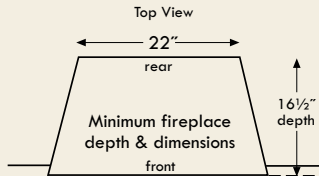
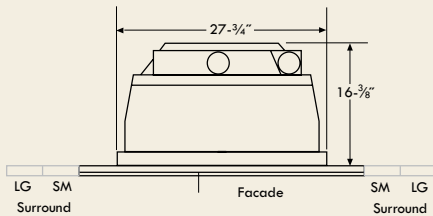
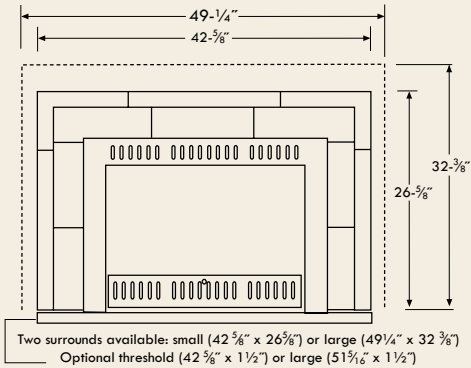


STONE FINISH:

Polished soapstone



Autumn brown granite



Maidstone facade featured with small surround and brown majolica finish.



Maidstone facade featured with autumn brown granite, small surround and brown majolica finish.



FOR ADDITIONAL SPECIFICATIONS AND OPTIONS, TURN TO PAGES 23, 27

DVI-HT WILLOUGHBY

DIRECT-VENT GAS INSERT

CONVERT ANY FIREPLACE INTO AN ELEGANT, EFFICIENT HEAT SOURCE

Burn Rate Range: 13,000 - 33,000 BTUs/hr. | EnerGuide Rating: 67.71%
Steady State Efficiency: up to 83% | Heats up to: 1,500 sq. ft. | Model: #8890

CASTING FINISH:

Painted matte black



Blue/black satin enamel



Brown majolica enamel

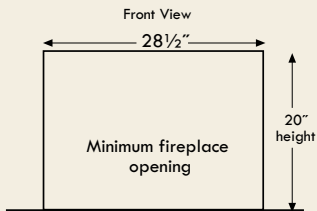
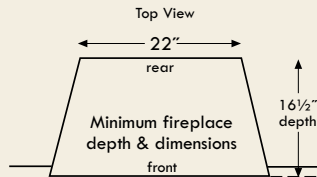
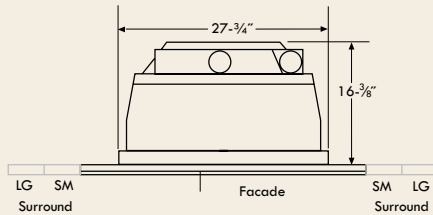
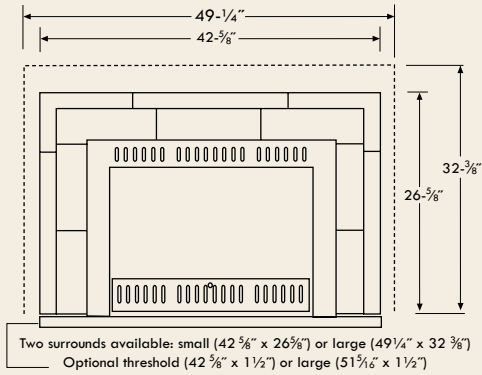


STONE FINISH:

Polished soapstone



Autumn brown granite



Willoughby facade featured with small surround and blue/black satin finish.



Willoughby facade featured with polished gray soapstone, small surround and blue/black satin finish.



FOR ADDITIONAL SPECIFICATIONS AND OPTIONS, TURN TO PAGES 23 & 27

DVI-HT KILLINGTON

DIRECT-VENT GAS INSERT

AN INSTANT STYLE UPGRADE – A HIGHLY EFFECTIVE HEATER

Burn Rate Range: 13,000 - 33,000 BTUs/hr. | EnerGuide Rating: 67.71%
 Steady State Efficiency: up to 83% | Heats up to: 1,500 sq. ft. | Model: #8890

CASTING FINISH:

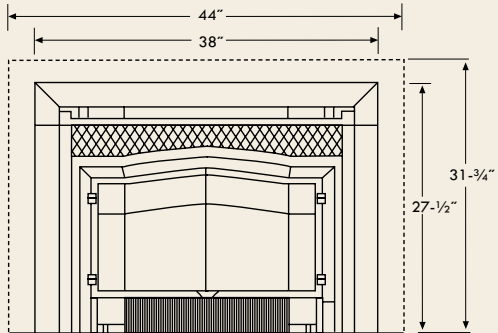
Painted matte black



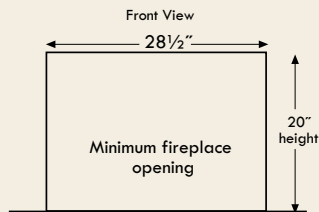
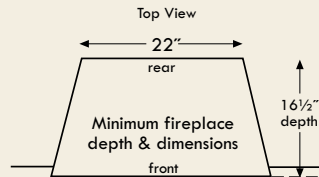
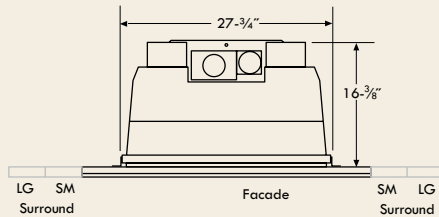
Blue/black satin enamel



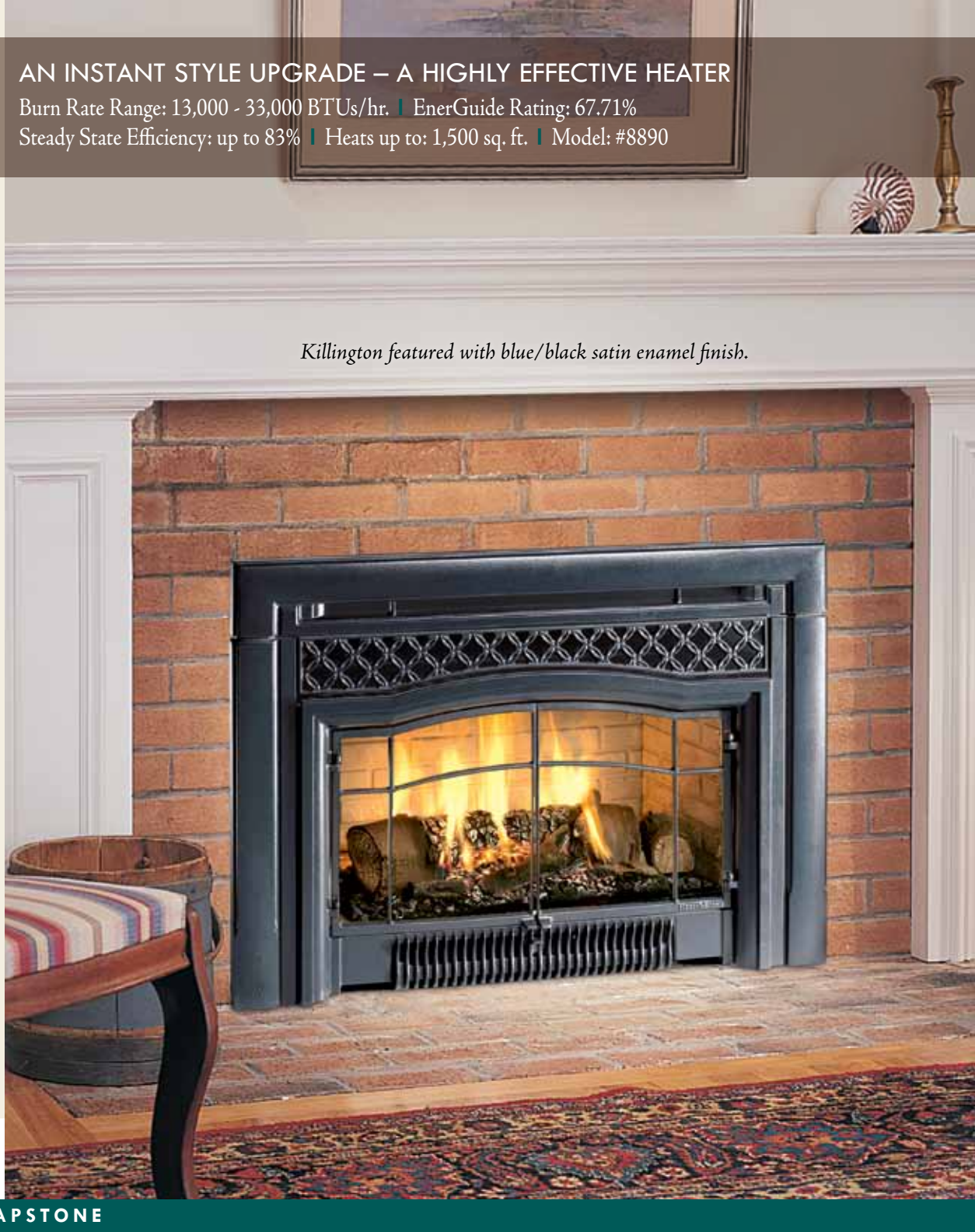
Brown majolica enamel



Two surrounds available: small (38" x 27½") or large (44" x 31¾")









Killington featured with blue/black satin enamel finish.



FOR ADDITIONAL SPECIFICATIONS
 AND OPTIONS, TURN TO PAGES 23 & 27

Wood Stove Features & Benefits

EQUINOX	MANSFIELD	PHOENIX	HERITAGE	HOMESTEAD	TRIBUTE
 <p>4.0-cubic-foot firebox – Accepts 25” logs through the front door or through the easy side-loading door. Front and side doors provide maximum loading ease and increased fuel efficiency.</p> <p>8” reversible flue collar – Flexible installation; stove can be installed as a freestanding unit or as a hearth stove.</p> <p>Screen (optional) – Allows for open-door fire viewing.</p> <p>Side-loading door – Available on the left or right side.</p> <p>Side-door lock kit (optional) – Use optional lock kit to reduce side hearth clearance from 16” to 3 1/8”.</p>	 <p>3.2-cubic-foot firebox; extra-wide door – Holds up to 64 lbs. of wood. The Mansfield’s deep firebox allows logs up to 19” in length to be accommodated straight in or 21” in length side-to-side for easy loading.</p>	 <p>2.2-cubic-foot firebox; extra-wide door – Holds up to 44 lbs. of wood; 21” maximum log length.</p> <p>45-degree flue collar – Flexible installation; stove can be used as a freestanding unit or as a hearth stove.</p>	 <p>2.3-cubic-foot firebox; side-loading door – Holds up to 46 lbs. of wood. The Heritage has a deep firebox and side-loading door that allow logs up to 21” in length to be accommodated side-to-side for easy loading, or use optional lock kit to reduce side hearth clearance from 16” to 3 1/8”.</p> <p>Reversible flue – For top or rear exit.</p>	 <p>2.0-cubic-foot firebox; extra-wide door – Holds up to 44 lbs. of wood; 21” maximum log length.</p> <p>Ash pan – for easy ash removal.</p> <p>Universal flue exit – Reversible, 45-degree flue collar allows top or rear stovepipe connection for a freestanding or hearth-mount installation.</p> <p>Surround for hearth-mount (optional) – Reduces mantle and side clearance; enhances appearance and increases efficiency when Homestead is installed in an existing fireplace. Panel size 43 1/2” wide by 32” high.</p>	 <p>1.2-cubic-foot firebox – Holds up to 20 lbs. of wood. The Tribute’s easy-load, front-loading door allows logs up to 16” in length.</p> <p>Screen (optional) – Allows for open-door fire viewing.</p>
<p>Open-and-close ash grate and removable ash drawer – Easy, clean ash removal; pan can be removed while fire is still burning.</p>					
<p>Fan with built-in thermostat and rheostat (optional) – Fan increases convective heat output with rheostat control. Use of rear heat shield is required.</p>	<p>N/A</p>		<p>Fan with built-in thermostat and rheostat (optional) – Fan increases convective heat output with rheostat control. Use of rear heat shield is required.</p>		
<p>Single air-intake lever/stove control – Stove operation is easy; performance more consistent.</p>					
<p>Non-catalytic combustion system – Clean-burning, complete combustion provides more heat from less wood, greater efficiency, reduced smoke and creosote buildup.</p>					
<p>Unmatched fire viewing – Air entering the firebox through the stove’s secondary air tubes ignites the gases rising off the burning wood. The resulting light and flames provide dazzling fire viewing, even when the fire is burning at a low rate.</p>					
<p>Outside air adapter (optional) – Improved efficiency in today’s newer, “airtight” homes; reduces cold air drafts along the floor.</p>					
<p>Rear heat shield (optional) – Allows more placement options; stove can be installed closer to a wall because clearance requirements are reduced; creates a convection passageway between shield and back of stove to allow optional fan to circulate air through house.</p>					
<p>Rear heat shield – Required when installing optional fan. Fan not available for hearth-mount installation.</p>					

Note: Always refer to the HearthStone Owner’s Manual and the local authority having jurisdiction in your area for the specific installation requirements for your stove.

Wood Insert

Gas Stove Features

CLYDESDALE



2.4-cubic-foot firebox – Large front door allows large viewing area and logs up to 22" in length to load easily.

Solid cast-iron door system

Cast-iron roller-latch – smooth operation and an airtight door.

Full-heat shroud around cast-iron firebox – increases convective heat output.

Surround extension (optional) – 36" H x 59" W (black anodized aluminum).

MORGAN



1.7-cubic-foot firebox – Holds up to 34 lbs. of wood and logs up to 18" in length.

Steel door system

Steel door latch

Surround extension (optional) – 35" H x 54 1/4" W (black anodized aluminum).

Single air-intake lever/stove control – Responsive control: insert operation is easy, performance more consistent.

Non-catalytic combustion system – EPA-certified, clean-burning, complete combustion provides more heat from less wood, greater efficiency, and reduced smoke and creosote buildup.

Soapstone-lined firebox – Extends HeatLife™.

Front/aft 2-position flue collar & depth-adjusting surrounds – Installation flexibility; unit will fit in more fireplaces.

Leveling legs – Adjustable after installation.

Fan with thermostat and variable-speed control – Factory-installed.

Screen (optional) – Allows for open-door fire viewing.

Surround base caps – Optional cast-iron base caps add beauty to the installation and can be used as a filler for raised insert installations.

Mantle shield (optional) – Reduces mantle clearances.

Reversible front-loading door – Front door easily converts to open from either the left or right side to meet your specific installation needs.

Unmatched fire viewing – The large glass front door allows an unobstructed view of the full firebox. Primary and secondary air combine for dazzling fire viewing on high or low settings.

Removable baffle – Allows flue cleaning without removing the insert. Eases installation by connecting the flue liner within the firebox.

STERLING



Unique Direct-Vent installation – Easily installed next to an outside wall with no vertical pipe required. The Sterling can be installed 2" from an outside wall directly to a termination. (See manual for compact listing.) Most other venting options also available.

Millivolt ignition system – Stove can operate without electricity; excellent source of heat during power outages.

Three-way on/off/thermostat switch – Allows you to flip the stove on for instantaneous fire, or to control the stove from the wall thermostat, or to turn it off.

Wall thermostat – Thermostat turns unit on and off, and maintains the home at preset comfort level. Desired heat is maintained automatically. Optional programmable thermostat is also available.

Remote controls (optional) – Options include, variable-speed fan, on/off remote, thermostatic remote, and window screen

Certified room heater with double heat exchange system – Increased stove efficiency; less heat lost up the chimney means more usable heat for less money.

Sealed firebox/Direct-Vent technology – Air for combustion is drawn from outside the home, reducing cold air drafts; greater efficiency due to not using heated room air for combustion.

Adjustable heat output – All the pleasure of fire-viewing ambiance, even when little room heat is required.

TUCSON DX



ProFlame

HeatWave Refractory –

Improved radiant heat output.

ProFlame electronic ignition system –

Pilot is off when the stove is off, saving fuel and money. Comes with battery backup, so you can use the stove even without electricity.

Toggle switch – Continuous or intermittent pilot.

45-degree flue exit – Installation flexibility.

Three-way on/off remote switch

Window Screen included

Field convertible –

Must order conversion kit

Remote control –

Features thermostat, "smart thermostat," 5-level flame control, 5-speed fan control, child lock-out and auxiliary outlet.

5-speed circulating blower

TRIBUTE DV



Stone rear panels (optional) – Allows for placement in the center of a room with a beautiful, decorator finish from all angles.

Window screen (optional) – Enhances flame aesthetics. The firebox glass “disappears” from viewing, leaving only the dancing flames and glowing logs.

MAIDSTONE / WILLOUGHBY / KILLINGTON



Large or small surrounds – Available in two surround sizes to fit your fireplace.

“One touch” piezo ignition – Battery-operated ignition system for easy lighting.

Window screen (optional) – Enhances flame aesthetics. The firebox glass “disappears” from viewing, leaving only the dancing flames and glowing logs.

Universal threshold (optional) – Raises the insert 1 ½” as a decorative option or to help fill fireplace opening. Small (42 5/8” x 1 ½”), large (51 5/16” x 1 ½”).

HERITAGE PELLET



Fine-lined European cast iron & stone exterior

Large viewing area
Accentuates impressive flame presentation. 169 sq. inches!

Low emission
EPA certified at 1.3 gph

Up to 50 lb. hopper capacity

Advanced controls, user selects preferred operating mode:

- + Manual on/off
- + Thermostatic on/off
- + Auto modulating thermostatic
- + Auto programmable

*Requires use of included wired room sensor.

Auto start and clean cycle

Low temp monitoring system

4” vent recommended

Wall thermostat – Thermostat turns unit on and off, and maintains the home at preset comfort level. Desired heat is maintained automatically. Optional programmable thermostat is also available.

Three-way on/off/thermostat switch – Allows you to flip the stove on for instantaneous fire, or to control the stove from the wall thermostat, or to turn it off.

Variable-speed fan with thermostat (optional) – Thermostat monitors stove body temperatures and automatically controls fan.

Millivolt ignition system – Stove can operate without electricity; excellent source of heat during power outages.

Remote controls (optional) – Simple “on/off” and thermostatic remote controls allow the fire to be controlled from across the room. Temperature is controlled by the thermostat located within the remote itself.

Certified room heater with double heat exchange system – Increased stove efficiency; less heat lost up the chimney means more usable heat for less money.

Adjustable heat output – All the pleasure of fire-viewing ambiance, even when little room heat is required.

Sealed firebox/Direct-Vent technology – Air for combustion is drawn from outside the home, reducing cold air drafts; greater efficiency due to not using heated room air for combustion.

Note: Always refer to the HearthStone Owner’s Manual and the local authority having jurisdiction in your area for the specific installation requirements for your stove.

Wood Stove & Insert Specs

		EQUINOX		MANSFIELD		PHOENIX		HERITAGE		HOMESTEAD	
Specifications:										HEARTH-MOUNT	
Firebox capacity (1)		4.0 cubic feet		3.2 cubic feet		2.2 cubic feet		2.3 cubic feet		2.0 cubic feet	
Maximum log length		25"		21"		21"		21"		21"	
Flue exit & diameter		top or rear – 8"		top – 6"		45 degree – 6"		top or rear – 6"		top or rear – 6"*	
Ash pan		yes		yes		yes		yes		yes	
Optional blower kit		yes		yes		no		yes		no	
Mobile-home certified		yes		yes		yes		yes		yes	
Alcove certified (2)		yes		yes		yes		yes		yes	
Actual weight (lbs)		689		550		425		475		380	
Shipping weight (lbs)		774		575		470		500		440	
Performance:											
Emissions		3.1 grams/hr.		2.9 grams/hr.		2.4 grams/hr.		2.7 grams/hr.		1.9 grams/hr.	
Heat output (3)		120,000 BTUs		80,000 BTUs		60,000 BTUs		55,000 BTUs		50,000 BTUs	
Efficiency (4)		82%		77.4%		75%		81%		83.5%	
Heating capacity (5)		up to 3,500 sq. ft.		up to 2,500 sq. ft.		up to 2,000 sq. ft.		up to 1,900 sq. ft.		up to 1,800 sq. ft.	
Burn time		up to 12 hours		up to 10 hours		up to 8 hours		up to 8 hours		up to 8 hours	
HeatLife™ (6)		up to 16 hours		up to 14 hours		up to 12 hours		up to 12 hours		up to 12 hours	
Clearances: (7)	Key										
		Single-wall pipe, no heat shield	Double-wall pipe with rear heat shield	Single-wall pipe, no heat shield	Double-wall pipe with rear heat shield	Single-wall pipe, no heat shield	Double-wall pipe with rear heat shield	Single-wall pipe, no heat shield	Double-wall pipe with rear heat shield	Single-wall pipe, no heat shield	Double-wall pipe with rear heat shield
Side of stove to side wall	A	21"	19"	18"	18"	20"	16"	17"	16"L 15"R	23"	16"
Back of stove to back wall	B	21"	6"	19"	8"	25"	13"	16"	7"	26"	7"
Corner of stove to side wall	C	22-3/4"	13-1/2"	14"	14"	18"	12"	12"	11"	18"	12"
Center of pipe to back wall	D	26-3/4"	11-3/4"	24"	13"	24"	11"	21"	12"	N/A	N/A
Front of stove to back wall	E	48"	33"	43"	32"	45"	33"	35"	26"	45"	26"
Front of hearthpad to back wall (US)	F	59-3/4"	44-3/4"	59"	48"	61"	49"	51"	42"	61"	42"
Front of hearthpad to back wall (CDN)		157cm	113.7 cm	155 cm	127 cm	160 cm	130 cm	135 cm	112 cm	160 cm	112 cm
Corner of wall to front of stove	G	60"	58"	57"	57"	60"	51"	50"	48"	56"	47"
Corner of wall to front of hearthpad (US)	H	76"	73-7/8"	73"	73"	76"	67"	65"	64"	72"	63"
Corner of wall to front of hearthpad (CDN)		198 cm	187.7 cm	191 cm	191 cm	197 cm	175 cm	171 cm	168 cm	188 cm	166 cm
Center of pipe to corner of wall	I*	42"	40"	38"	38"	39"	32-1/2"	36"	34"	N/A	N/A
Edge of pipe to side wall	J*	26-3/8"	24-7/8"	24"	24"	25"	18-1/2"	22"	21"	N/A	N/A
Minimum hearthpad size - US inches (8)		48" W x 41-1/2" D		38-1/2" W x 46" D		42" W x 42" D		47" W x 37-1/2" D		41" W x 41" D	
Minimum hearthpad size - Canada inches (8)		56" W x 48" D		43" W x 50" D		53" W x 46" D		42" W x 46" D		43" W x 45" D	
Minimum hearthpad size - Canada cm (8)		143 cm x 122 cm		110 cm x 127 cm		135 cm x 117 cm		107 cm x 117 cm		110 cm x 115 cm	
R-value		1.0		Ember protection		1.0		1.2		6.6	

HOMESTEAD		TRIBUTE		CLYDESDALE		MORGAN	
FREESTANDING							
2.0 cubic feet		1.2 cubic feet		2.4 cubic feet		1.7 cubic feet	
21"		16"		22"		18"	
top or rear – 6"		top – 6"		top – 6"		top – 6"	
yes		no		no		no	
yes		yes		standard		standard	
yes		yes		no		no	
yes		yes		no		yes	
380		313		550		349	
440		338		585		416	
1.9 grams/hr.		3.0 grams/hr.		3.1 grams/hr.		4.3 grams/hr.	
50,000 BTUs		36,000 BTUs		75,000 BTUs		40,000 BTUs	
83.5%		83%		79%		79%	
up to 1,800 sq. ft.		up to 1,000 sq. ft.		up to 2,000 sq. ft.		up to 1,200 sq. ft.	
up to 8 hours		up to 5 hours		up to 10 hours		up to 8 hours	
up to 12 hours		up to 7 hours		up to 12 hours		up to 10 hours	
Single-wall pipe, no heat shield	Double-wall pipe with rear heat shield	Single-wall pipe, no heat shield	Double-wall pipe with rear heat shield	Single-wall pipe, no heat shield	Double-wall pipe with rear heat shield	Single-wall pipe, no heat shield	Double-wall pipe with rear heat shield
23"	16"	16.5"	16-1/2"	12"	N/A	13"	N/A
26"	7"	19"	8"	N/A	N/A	N/A	N/A
18"	12"	17"	7"	N/A	N/A	N/A	N/A
29"	10"	24"	13"	N/A	N/A	N/A	N/A
45"	26"	35"	24"	N/A	N/A	N/A	N/A
61"	42"	51"	40"	N/A	N/A	N/A	N/A
160 cm	112 cm	134 cm	106 cm	N/A	N/A	N/A	N/A
56"	47"	51"	37"	N/A	N/A	N/A	N/A
72"	63"	67"	53"	N/A	N/A	N/A	N/A
188 cm	166 cm	175 cm	139 cm	N/A	N/A	N/A	N/A
38"	29-1/2"	40"	26"	N/A	N/A	N/A	N/A
22-1/2"	16-1/2"	25-1/2"	15-1/2"	N/A	N/A	N/A	N/A
41" W x 41" D		28 7/8" W x 31 1/8" D		38 3/16" W x 18" D		36" W x 16" D	
43" W x 45" D		38" W x 42" D		39" W x 18" D		36" W x 18" D	
110 cm x 115 cm		97 cm x 107 cm		100 cm x 46 cm		92 cm x 46 cm	
2.5		0.6		1.0		1.0	

(1) The amount and weight of wood contained per cubic foot of firebox volume can vary from 15 to 36 lbs. per cubic foot depending on type of wood, moisture content, packing density, and other factors. As a constant for comparison and test purposes, we are assuming 20 lbs. of seasoned hardwood per cubic foot of firebox volume.

(2) See Owner's Manual for specific alcove clearances and alcove hearthpad requirements.

(3) Heat output will vary depending on frequency of loading, the dryness and quality of wood used, packing density, and other installation variables.

(4) Efficiency measured using a lower heating value (LHV).

(5) Heating capacity is an approximation dependent upon type of wood, loading configuration, floor plan, house construction, venting configuration, heat loss, geographic location of home, and other usage and regional variables.

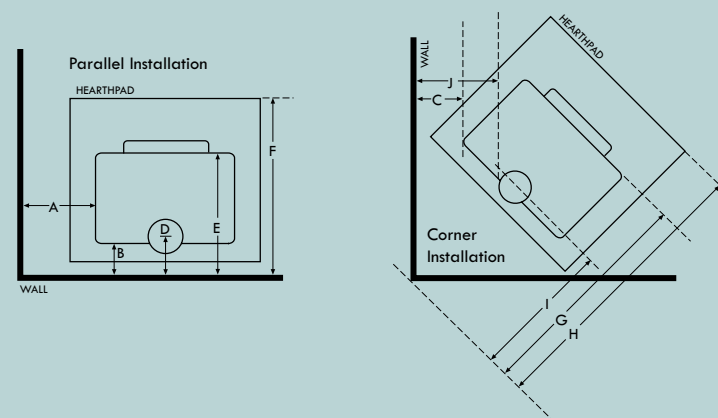
(6) HeatLife™ is a trademark of HearthStone Quality Home Heating Products and is defined as the quantity of heat stored within the thermal mass of the stove. Used here, it refers not just to burn time but to total hours of usable heat from a single load of fuel.

(7) Clearances on this page are for reference only. Refer to the Owner's Manual for exact specifications prior to installation.

(8) See Owner's Manual for specific hearth material and R-value requirements.

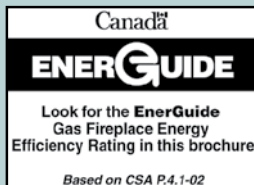
*with 45-degree elbow if required

**An example of a noncombustible floor protector would be a hearth constructed with a continuous layer of a listed backer board (such as Wonder-Board or Durock) used for ember protection with a tile, brick, slate, or other noncombustible facing.



Gas Stove & Insert Specs

	STERLING	TUCSON DX	TRIBUTE DV
Specifications:	DIRECT-VENT	DIRECT-VENT	DIRECT-VENT
Width	29-1/2"	20"	23-7/8"
Height	27"	25"	24-1/8"
Depth	20-3/4"	16"	18"
Flue diameter	4 x 6-5/8" or 5 x 8"	4 x 6-5/8"	6"
Flue exit	rear or top, w/adapter	45-degree exit	rear exit
Available for NG or LP	yes	yes	yes
Optional blower kit	yes	included	yes
Wall thermostat and thermostat wire	included	N/A	included
Built-in three-way "on-off-thermostat" switch	included	included	included
Programmable-thermostat compatible	yes	no	yes
Remote-control compatible	yes	included	yes
Mobile-home certified	yes	yes	yes
Actual weight (lbs)	230	155	185
Shipping weight (lbs)	260	200	210
Performance:			
EnerGuide rating (2)	74%	NG: 61%	66.3%
"Variable flame height" BTU range (3)	12,000 to 38,000	NG: 18,000 to 25,000 LP: 21,600 to 25,000	10,500 to 18,000
Steady state efficiency (4)	up to 85%	83%	up to 82%
AFUE (4)	74	68	72
Heating capacity (5)	up to 1,800 sq. ft.	up to 1,200 sq. ft.	up to 900 sq. ft.
Clearances: (6)	Key		
<i>Minimum clearance to combustibles</i>			
Side	A	4"	2"
Rear	B	2"	1-1/2"
Corner	C	2"	2"



HearthStone Quality Home Heating Products, Inc., warrants all its wood and gas stoves and inserts to the original purchaser for the lifetime of the appliance to be free from defects in material and workmanship, with certain limitations as defined in our Limited Lifetime Warranty policy. See your HearthStone dealer for complete details and a copy of our warranty policy.

HeatLife is a trademark and HearthStone, HearthStone Phoenix, and HearthStone Sterling are registered trademarks of HearthStone Quality Home Heating Products, Inc.

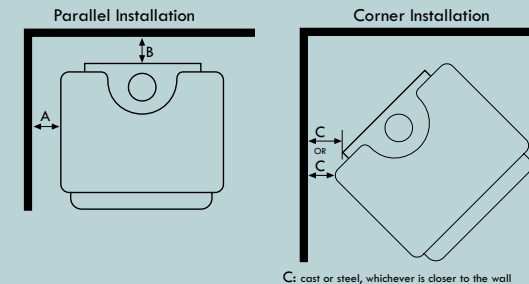
Pellet Stove Specs

MAIDSTONE/ WILLOUGHBY/ KILLINGTON
DIRECT-VENT
27-3/4"
19-3/4"
16"
two 3" co-linear
top exit
yes
included
included
included
yes
yes
yes
185
215 (1)
67.71%
13,000 to 33,000
up to 83%
74
up to 1,500 sq. ft.
N/A
N/A
N/A

	HERITAGE PELLET
Specifications	
Hopper capacity	50lbs
Flue exit & diameter	Rear exit 3"
Ash Pan	Included
Blower	Included
EZ Comfort control	Included
Fire viewing area	185 sq. in.
Mobile home certified	Yes
Alcove certified	Yes
Actual weight	385 lbs
Shipping weight	465 lbs
Performance	
Burn rate	1.8-6.0 lbs/hour
Heat output	15,300-51,000 BTUs
Efficiency	Up to 87%
Emissions	1.3 grams/hr
Heating Capacity	Up to 2,000 Sq. Ft.
Clearances Horizontal Vent (6)	
Back of stove to wall	2"
Side to wall	6"
Corner of stove to wall	1"
Hearthpad	
Minimum overall size	32-3/8" D x 34-1/4" W
Rear edge of pad	Refer to vent manufacturer's specifications
Side edge of pad	2" from side of stove
Front edge of pad	6" from front of glass

- (1) Shipping weight includes facade and small surround.
- (2) EnerGuide is a Government of Canada rating system that provides consumers with comparative information on the energy performance of energy-using products sold in Canada. For more information on the EnerGuide Program, please go to the EnerGuide Web site at: www.oeenrncan.gc.ca/equipment/
- (3) Ratings shown are with NG; LP ratings are similar.
- (4) Steady state efficiencies vary dependent upon installation, venting configuration, altitude, gas values, and other installation variables.
- (5) Heating capacity is an approximation dependent upon floor plan, house construction, venting configuration, heat loss, and geographic location of home.
- (6) Clearances on this page are for reference only. Refer to Owner's Manual for exact specifications prior to installation.

LP: propane NG: natural gas



NOTE: All measurements are taken from the closest surface of the unit.



317 Stafford Avenue
Morrisville, Vermont 05661
E-mail: inquiry@hearthstonestoves.com
www.hearthstonestoves.com



Handcrafted in
the USA



MIX

Paper from
responsible sources
FSC® C022851

