

# AMG-1750

Series

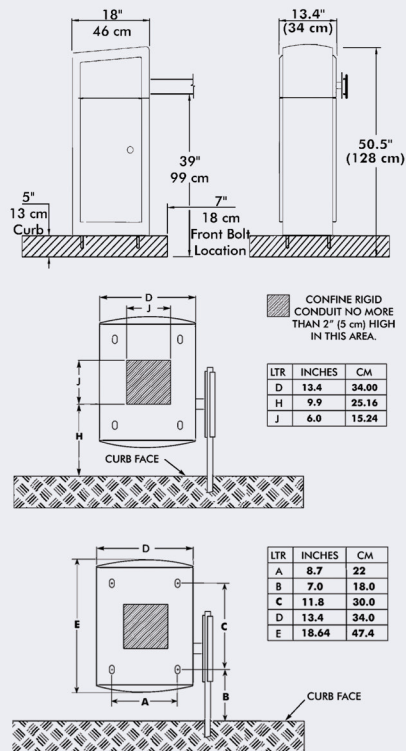
***Parking Gate***



*Amano McGann's AMG-1750 Series Parking barrier gate is designed to meet all your parking control needs. The microprocessor-based logic and functionality provides the ultimate in reliability, performance, and safety, as well as the flexibility to accommodate four different modes of operation.*

## Parking Gate

# AMG-1750



## FEATURES

- Slim, cabinet-style design* ◀
- Four selectable modes of operation* ◀
- Pre-installed detector harness* ◀
- Microprocessor-based logic and functionality* ◀
- Standard "extra sensory" safety feature* ◀
- Instant reversing motor* ◀
- 1/3 horsepower motor with sealed gear reducer* ◀
- Internal thermal/overload protection* ◀
- Thermostat-controlled heater* ◀
- 12' standard or lighted gate arm, and 11' standard folding gate arm configurations available* ◀
- Dual powdercoat finish* ◀

## SPECIFICATIONS:

### ELECTRICAL

120V AC, 60 Hz

220/240V AC, 50/60 Hz

**Service amps:** 19.6A (120V)

**Connections:**

- Four utility power outlets
- DIN rail terminal blocks including logic
- Main power breakers

**Field wiring:**

- Removable terminal block assembly
- Dry contact input, output
- 12V DC unregulated

### MOTOR CHARACTERISTICS

**Horsepower:** 1/3 single-phase instantly reversing motor

**Speed:** 1625 RPM

**Starting amps:** 10A (120V) maximum

**Running amps:** 4.5A (120V)

Heavy-duty V-belt to drive speed reducer.  
Internal thermal/overload protection

### ENVIRONMENT

**Temperature:** -15°F ~130°F (-26°C ~ 54°C). Automatic thermostat-controlled heater included

**Humidity:** 10% ~ 90% (non-condensing)

### CABINET

Heavy-duty, 14-gauge all-weather steel construction

**Dimensions:** 45.5"H x 13.4"W x 18.6"D (116 cm x 34 cm x 47 cm)

**Weight:** 163.25 lbs. (74.03 kg)

**Access:**

- Removable cover on drive mechanism (360° access)
- Lockable door (access to electrical connections and control box)

**Finish (Std):** Grey Classic (#314) / Argento Silver Metallic (#305); White (RAL#9010); custom color available

### GATE ARM

**Height:** 34" (86 cm) + curb height in DOWN position

**Length:**

- AL12: 12' (365 cm)— aluminum
- AL20: 11' (323 cm) folding gate arm — aluminum
- A10: 10' (304 cm)— wood

**Optional sonic alert:** Audible alarm kit (AGP-0517/A627)

### MICROPROCESSOR-BASED CONTROLLER

Quick, plug-in installation. Gate up/normal/down switch (internal manual override)

**Operation modes:** One way pay

Bi-directional lane

Free direction



Input/output lane controller

**Switch selectable features:** "Extra sensory" timer

Backout timer

Closing loop safety "auto stop"

*Manufactured by Amano Cincinnati, Inc.'s Ohio factory, an ISO 9001:2000 registered facility. Specifications are approximate and are subject to change without notice. UL approval does not apply to 220/240V AC, 50/60 Hz*

C  

REPRESENTED BY:

# AMANO McGANN®

Corporate Headquarters 651 Taft Street NE, Minneapolis, MN 55413  
Tel: (612) 331-2020 [www.amanomcgann.com](http://www.amanomcgann.com)