

TWA News

Volume XX
Issue 6
June 2003

Newsletter of the Triangle Woodworkers Association

Next Meeting:

**June 17th, 7:30 PM
The Woodworking Shop
3141 Capital Blvd**

June 17th Meeting Jim Kirkpatrick Returns

Long time TWA members will remember the great program and seminar that Jim Kirkpatrick presented in 1992 and 1994. He will be our featured guest at the June 17 meeting. Jim's specialty is one-of-a-kind custom cabinets and furniture. Using slides and templates, he will share with us how he designed, built, and finished a recently completed built-in china cabinet. The cabinet has an arched top and other intricate features. Jim is a self-taught woodworker, and has operated a one-man shop for over twenty-five years. His shop is fully equipped with large vintage power tools that he has lovingly restored to perfect working condition. I have seen many of his creations, including tables, chairs, dressers, display cabinets, music stands, beds, and jewelry boxes. I can attest that the design work, the joinery, and the finish is always flawless! Jim is a Chapel Hill native and a Brown University graduate. He has taught woodworking at the John C. Campbell School and at Penland. He lives in Chapel Hill with his wife, Ruth (a math teacher), and their three children. You are certain to enjoy this June program! Ed Karolak

Tuesday, July 15th meeting Wood Selection for Projects.

Hil Peel, owner of The Hardwood Store in Gibsonville, NC, is our guest speaker for July and will go into depth on the selection of wood for that special (or not so special) project. This is not another presentation on lumber grading. Instead, it will focus on such things as how to select a board for best stability, how to look at a rough cut board and get a feel for how it will look after it is dressed, species selection versus machineability... and much more. Hil has been in the hardwood lumber business for many years and is great at offering easy to understand advice. This program will be useful to all. Plan to attend. Hosted by Bob Gabor 542-5951.

President's Message

Greetings everyone,

Thanks go to Bob Gabor for an excellent program on table saw jigs and fixtures.

As announced at our last meeting, Fred Ford is the board member leading the nominating committee for the two board member positions that will be open for the August election. If you are interested or have a candidate please contact Fred.

Fred and I will have served our term and be leaving the offices of president and vice-president open. As a reminder of our latest by-laws, the board will select members from the board of directors to fill these positions. Candidates will be announced at our July meeting, the election will be in August and the new officers installed in the September meeting.

See you at the June meeting.

Dave



WANTED!

Photographer needed- After eleven years I would like to pass the responsibilities on to someone-Can you pick up the photos duties of each meeting?

e-mail masti001@mc.duke.edu.

Note from the editor!

Due to vacation plans, the electronic newsletter will not be sent until July 6th or 7th. The paper copy will be mailed July 8th or 9th.

About the Triangle Woodworkers Association

The Triangle Woodworkers Association is a nonprofit educational corporation dedicated to teaching woodworking techniques through seminars, classes, and workshops; promoting woodworking education and community interest in woodworking and in general sharing a love for wood.

Club Officers and Committee Chairmen

Executive Board

President: Dave Mackie, 919-859-2600 or mackieevad@aol.com
 Vice President: Fred Ford, 919-469-9575 or fwford@bellsouth.net
 Secretary: Kay Baker, 919-662-8504, kaydbaker@hotmail.com
 Treasurer: Noel Butzke, (919) 233-2905
 Members at Large:
 Dick Courtney, Robert Foss, John Cramer

Committee Chairman

Program: Fred Ford, 919-469-9575 or fwford@bellsouth.net
 Nominating: Fred Ford, 919-469-9575 or fwford@bellsouth.net
 Toys for Tots: Hal Liberty, 919-787-7603
 Newsletter: Rick Cornell, 919-319-9980 or trianglewoodworkers@yahoo.com
 Library: Kay Baker, 919-662-8504
 Publicity: Ron Johnson, 919-544-2021
 Sponsor: Ed Karolak, 919-383-4233
 Hospitality: Jim Morrison
 Internet: Jim Kroeger, (919) 362-5741
 Mentor: Dave Mackie, 919-859-2600 or mackieevad@aol.com
 Historian: Tom Hurysz, 919-489-1606
 Photograph: Ed Mastin, 919-493-5179
 Membership: Sig Johnson, 919-212-0004 or Sjohnson49@nc.rr.com
 Audio: Charlie Main, Tom Revelle

TWA News is published monthly by the TWA and is mailed to members, sponsors, and associates. If you are interested in contributing articles, please send to:

Rick Cornell
 1123 Yorkshire Dr
 Cary, NC 27511

or trianglewoodworkers@yahoo.com



Attention Members!

I received this email, earlier this month and thought you might be interested.

Dear Editor:

I am not a member of your organization, however, I was the founder and first President of the North Georgia Woodworkers Guild in Hall County, GA. I am now located in Concord, NC and am retiring from woodworking.....not because I've lost interest, but because my wife and I are downsizing to a much smaller house in Wilmington, NC.....no room for a shop. I have on hand about 3 pickup truck loads of white oak, cherry, and walnut, with small amounts of some exotic woods. I am willing to sell all of the wood at much below market price. It would be worth the trip and investment by one or more of your members, and I would want them to measure the b.f. and determine an offering price once they saw it. I sold all of my woodworking equipment. If you are interested, please email me for more info. Thanks,

Dick Roush
 Concord, NC
 MrHarborguy@aol.com

Treasurer's Report

Balance 5/1/03	\$6,057.36
Income	\$322.00
Expenses	\$236.91
Balance 5/31/03	\$6,142.45

Respectfully submitted,
 Noel Butzke, Treasurer

TWA Financial Report As of 5/31/2003

	May Actual	YTD Actual	2003 BUDGET
Beginning Balance	6057.36	4917.55	
INCOME			
Dues	322.00	2,258.00	6,750
TOTAL INCOME	322.00	2258.00	6,750
EXPENSE			
Workshops/Programs	0.00	18.69	2,000.00
Newsletter	136.60	323.99	1,500.00
Equipment	0.00	0.00	600.00
Insurance	0.00	0.00	1,000.00
WEB	30.00	150.00	360.00
Meeting Exp	0.00	57.00	140.00
Administrative	41.48	242.99	300.00
Library Exp	28.83	240.43	650.00
Toys-Tots	0.00	0.00	200.00
TOTAL EXPENSES	236.91	1033.10	6,750
Balance 5/31/03	6142.45	6142.45	

TWA Meeting Minutes for May 20, 2003

Dave Mackie called the meeting to order at the Woodworking Shop at 7:30 PM. He offered an invitation for new members to come forward but none were present. He informed the group that he will not be heading up the mentor program for the coming year and that anyone who might have an interest in either mentoring or being mentored to please give him a call.

Chet Nedwidek announced that his neighbor has an Ash tree to be cut and if anyone is interested in getting any of the wood to email him at canedwidek@msn.com.

Bruce Wrenn passed around two specimens of pine for a comparison of growth rings. On the same size block one had about thirty rings, the other about five showing the difference in growing conditions and hardness of the wood. He said there will be a mini workshop coming up in the fall but the subject is not yet determined.

Wilson Lamb announced that his wife informed him that he has too much wood so he is sharing with other woodworkers. Give him a call but you have to go to his house in Chapel Hill to get it.

Hal Liberty brought templates for cars for anyone to take who is interested in making toys for tots.

Kay Alexander said that there is a 4" Rockwell Delta jointer for sale in Smithfield. If interested call 919 359-5019.

Fred Ford announced that he is the Chairman of the Nominating Committee and needs two new board members to replace him and Dave as they go out. He also handed out forms to fill out for suggestions for the Program Committee. If not turned back in at the meeting the forms can be mailed to Fred. He then introduced Bob Gabor who presented the program on table saw jigs.

The meeting was adjourned at 9:00.

Submitted by
Kay Baker, Secretary

Tool Talk

-with Bruce Wrenn

If sand paper cost \$10.00 per sheet would we use less? I recently completed a set of cubbies that used over sixty pieces of plywood that had to be sprayed and sanded. I found that by changing the paper on my sander frequently I didn't have to spend as much time or effort on sanding. Also I didn't sand the plywood prior to spraying it with water base poly (Diamond Wood Finish by Varathane – Gloss for floors). The first spraying raised the grain, then I started sanding.

* * *

Did you know that a variable speed control (plug I variety) can be used to make your sander into a variable speed sander. I understand you can also use it on a router, too.

* * *

I bought my plywood for my cubbies from the Moncure Plywood Outlet. They offer rough cutting to size. If you heard Bab Gabor mention MDO in his presentation, last month and were wondering where to get it, Moncure Plywood Outlet can get it. They stock $\frac{3}{4}$ " and $\frac{1}{2}$ " multi-ply plywood in poplar (a great substitute for Baltic Birch) oak veneer on a multi-ply core. They also have clear 1x12 shelving boards (14' long I think). The owner's name is Gary Horner, phone 919-542-4721. They are located on SR 1011 (old US 1) between the Haw River and the Deep River in Moncure. P.S. *They don't take credit cards – cash or check ONLY!*

* * *

Those of you who missed Bob Gabor's program on the table saw really missed a good one. A heartfelt thanks to Bob!

* * *

Parting thoughts: How long a minute is depends on which side of the bathroom door you are on – "I will be out in a minute!"

Bruce

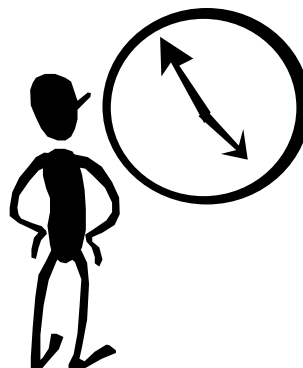


Photo Gallery

Last month's meeting featured Bob Gabor discussing jigs and techniques for the table saw. The following photos are from his demonstration and talk!



Annual Midwest Tool Collectors Meeting

The annual joint Midwest Tool Collectors Association (MWTCA) and Early American Industry Association (EAIA) meeting will be held at Ed Hobbs' Farm in Raleigh on Saturday July 26, 2003. As in the past, all TWA members that are not MWTCA and/or EAIA members are invited to attend. Over 200 people attended in 2002.

This year's meeting will begin officially at 8 AM (some early birds will get here at daybreak) with tool buying/selling/trading. We will have about 40 dealer tables set up under a tent as well as another 30 or so people tailgating under the shade trees. You will be able to find a wide variety of antique and traditional tools for sale at reasonable prices. Coffee, donuts and soft drinks will be served.

The program at 10 AM will be on building muzzle loading rifles by hand and will cover both the tools and techniques. John Braxton, who has been doing this for over 50 years, will put on the program. John has built everything from pistols to cannons and his work is widely known.

Following the program, there will be a good old catered pig picken with all the fixings.

After lunch, there will be a tool auction open to everyone. There is no buyer's premium. This auction typically has a wide selection of collectable as well as "user grade" antique and traditional tools.

In the afternoon, we will have a private tour of Historic Yates Mill. The mill is still in the process of being restored but we will be able to see the work that has been done to date and possibly see her grind corn.

Our policy for guests is to allow them to attend for \$15 for one time to see what goes on and to find out about the benefits of belonging to MWTCA and EAIA. If you have attended as a guest before and wish to attend again as a guest you are welcome, however, you will be charged the full meeting cost of \$20.

To ensure we have adequate food, beverages and facilities, we are again requiring pre-registration. Please complete the form below and send it in so it is received by July 23. To get to the farm, take Exit 299 (Lake Wheeler Rd) off of I-40/440 in Raleigh. Go out of town. You will go about 2 miles and cross over Tryon Rd. Continue on Lake Wheeler Rd for $\frac{3}{4}$ mile then turn left on Inwood Rd. Go $\frac{3}{4}$ mile and farm is on left. Please park on the road. Ed Hobbs, 4417 Inwood Rd, Raleigh, NC 27603-3315 Telephone 828-2754

Return this form with your check made out to MWTCA Area Q to the address above **by July 23. If this is your first time attending, enclose \$15 for each person. If you have been here before, please enclose \$20 for each person.**

Name of TWA member(s)

TOTAL ENCLOSED: _____

Shop-built Outfeed Roller

I needed a temporary outfeed roller for my table saw so I built my own using a section of PVC pipe and a dowel. As you can see in the photo, the PVC pipe "rolls" on a section of dowel held in a simple frame.

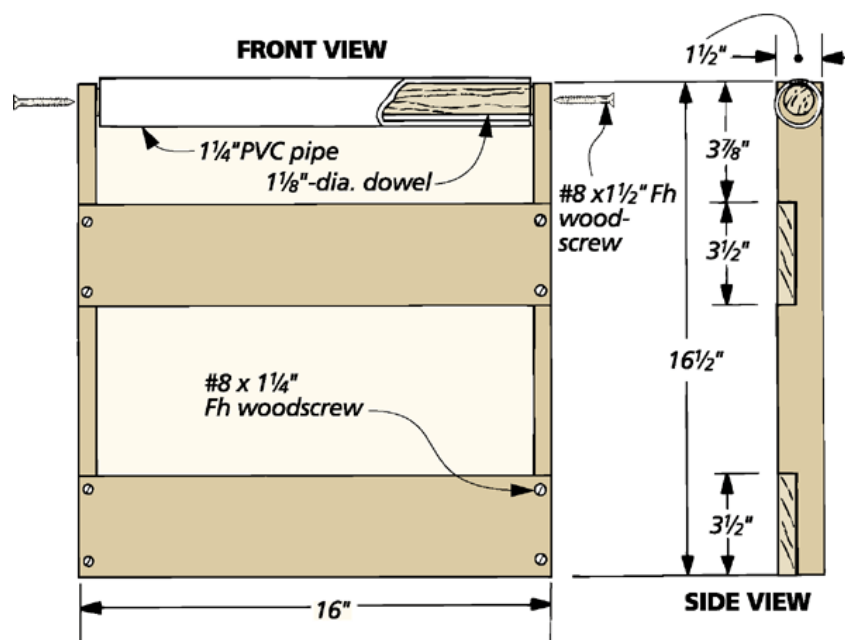
Start by building the support frame using simple lap joints fastened together with glue and screws as shown in the drawing. Next cut a section of dowel to fit between the sides of the frame. And then cut the PVC pipe roller slightly shorter than the dowel. Now place the pipe over the dowel, position it in the frame and fasten each end with a screw.

When I need to use the roller, I clamp it to a sawhorse so that it's aligned with the bed of the table saw (see photo).

Good Woodworking,

Ted Raife
Online Editor, *Woodsmith*

A little something I
found online!
-editor



TWA Sponsors

Ashcroft Saws and Tools 876-3223
3216-G Wellington Ct, Raleigh, NC
25% off list on blades and 10% off on sharpening

Capitol City Lumber Co. 832-6492
4216 Beryl Road, Raleigh, NC 1-800-244-6492
Special prices to TWA members
<http://www.capitolcitylumber.com/>

Carolina Builders 828-7471
3000 Yonkers Rd
Hwy. 64 & Old US 1

Guy C. Lee Building Materials 362-1444
900 N. Salem St., Apex, NC

Klingspor's Sanding Catalog 800-228-0000
P.O. Box 3737, Hickory, NC 28603
10% discount excluding lumber and power tools
www.sandingcatalog.com

The Woodworking Shop (919) 876-0707
3141 Capital Blvd. (.9 mile N of Beltline exit 11)
(10% discount excluding lumber and power tools)
www.woodworkingshop.com

Raleigh Hardwood Center 231-6620
4213 Poole Rd, exit 15 off 440 Raleigh, NC
(10% discount all non-sale items)
www.hardwoodgroup.com

Raleigh Saw 832-2248
806 McCulloch Street, Raleigh, NC
(10% discounts on all new products)

Tarheel Wood Treating Co. 467-9176
Highway 54, Morrisville, NC
(Contractors prices on all wood products)
Show TWA card before order is written

The Hardwood Store 1-888-445-7335
Gibsonville, NC
Discount: 10 cents per board foot
www.hardwoodstore.com

Woodworker's Supply of NC
1125 Jay Lane, Graham, NC
(Wholesale prices)
store (336) 578-0500
mail order 1-800-645-9292
www.woodworker.com

Yarnell-Hoffer Hardware 942-3500
145 Rams Plaza, Chapel Hill, NC
www.doitbest.com/yh
10% discount except power tools and sale items

The following companies do not provide discounts to Members but support TWA and our programs in other ways:

Home Depot DeWalt Tools

Members, sponsors and potential sponsors are invited to contact Ed Karolak with their ideas, questions, or concerns at Ekarolak@aol.com or call at 919-383-4233

\$ CLASSIFIED ADS \$

Classified ads are free to all current members. If you would like something listed, please send a note to the editor at TriangleWoodworkers@yahoo.com

Attention Woodworkers!: The past two years many members have bought a total of several thousand board feet and many have come 5 or 6 times. I invite you all to come and look. Walnut, Red and White Oak, Poplar, Hickory, Spalted, and mountain siding on stick 6 years. Arlin Scott, 967-6017, Chapel Hill.

Custom milling and solar drying. We will come to your location or you can come here. Have your downed tree(s) milled into useable lumber. Why burn what you can sell or use in your home. Call for information 919-876-8009 <http://www.millonwheels.com>

Membership Application
Complete and mail to:
Triangle Woodworkers Association
P.O. Box 12232
RTP, North Carolina 27709

Save \$5 when you choose to
receive the Newsletter by
email! Contact Sig Johnson if
you have any questions!

Dues for twelve month period (please check)

New (\$35) _____ Renewal (\$30) _____

Change of Address _____

Label on Reverse Side is Correct _____

Note: **\$5 discount** if you receive Newsletter by email _____

Name: _____

Nick Name (for name tag): _____

Address: _____

City: _____ State: _____ Zip: _____

Telephone: (____) _____ email _____


Spouse \$1 (new & renewal). For spouse membership complete the following:

Spouse Name: _____



MEMBERSHIP EXPIRED?

Check the mailing label, for the expiration date of your membership. If it says EXPIRED, please contact our membership coordinator to renew. You may receive several newsletters past your expiration date and then no more. If you have a question about your membership, please contact Sig Johnson (919-212-0004).



Triangle Woodworkers Association
P.O. Box 12232
RTP, North Carolina 27709