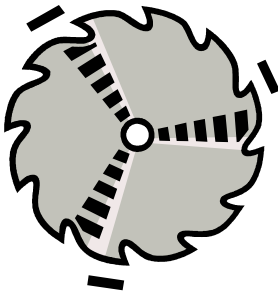


Next Meeting:
August 16, 2005 7:30 PM
The Woodworking Shop
3141 Capital Blvd

Aug 16 TWA Meeting Program
Saw Blades
Russ Brenner,
Freud Account Executive

The circular saw used in table saws, compound miter saws, radial saws etc has undergone major developments in recent years making it one of the most improved aspects of woodworking,



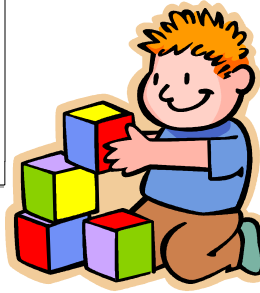
Russ will discuss these developments, and explain how to maximize your use of these new developments. Come and learn about the ripping, crosscut, combination and other blade configurations. Host Fred Ford

Sept 20th TWA meeting
Ron Johnson presenting Shaker boxes

Ron Johnson is past president and long-time contributor to TWA. Ron's presentation will be a new edition of his popular "Introduction to building Shaker boxes". Ron will explain and demonstrate how to construct these popular craft items. After watching Ron, I'm sure that you would consider giving boxes as gifts to those special family members.

Shaker Box Workshop
September 24th and 25th

For those who want more information and guidance, Ron will offer a Saturday and Sunday workshop where he will lead us through the construction of our own Shaker box. Fee \$40 (includes all materials to make a Shaker box) Host: Jeff Leimberger



Toys For Tots 2005

August is the kick off month for the TWA Toys for Tots program. The current plan is to have six private workshops at member workshops and one or two Home Depot

days.

Fifty members have signed up to support the program. That is a real good start but we need you all to help. If you have not signed up please give me a call and get on the list.

Those of you that are on the list will be called to see which of the workshops you will like to attend. Workshops will all be on Saturdays and will run from 9 AM until 4 PM with breaks for snacks and comradeship

I have set tentative dates for workshops. I have some committed by the host but I do not want to publish that until I have them all set. I may have to juggle things to make it all fit all the hosts requirements.

Probable dates are Aug. 20, Sep. 3, Sep.17, Oct. 1, Oct. 15, Oct. 29 and two Saturdays in November for Home Depot. Pencil in your dates and wait for a call.

Of course you are all encouraged to use your home workshops to make your own donations. In the past some of our best toys have been made this way. If you chose to do this I have some wheels and other material that I can give you. Just call.

When you get involved I promise it will make Christmas morning even more enjoyable as you remember the toys you helped to make in the hands of some happy children.

Call or email if I can be of any assistance.

Fred Ford
469-9575
fredford@nc.rr.com

About the Triangle Woodworkers Association

The Triangle Woodworkers Association (TWA) is a nonprofit educational corporation. The TWA is dedicated to teaching woodworking techniques through seminars, classes, and workshops; participants are required to sign waivers absolving liability for TWA or its designated representatives. The TWA promotes woodworking education and community interest in woodworking and in general sharing a love for wood.

Club Officers and Committee Chairmen

Executive Board

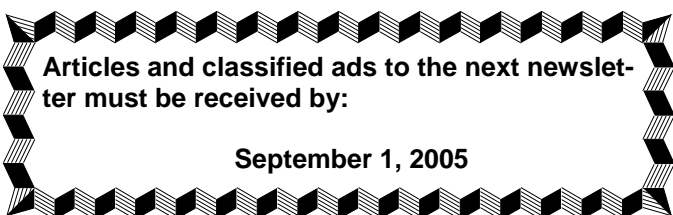
President: Rick Cornell or 919-270-0650
Trianglewoodworkers@yahoo.com
Vice President: {vacant}
Secretary: Bill Anderson, (919) 932-6050
willarda@mindspring.com
Treasurer: Robert Foss, (919) 782-6472 or
fossrg@hotmail.com
Members at Large:
Dick Courtney, Sig Johnson, {vacant}

Committee Chairman

Program: Cecil Raynor, (919) 870-0508 or
raynorc@bellsouth.net
Nominating: Fred Ford, 919-469-9575 or
fwford@bellsouth.net
Toys for Tots: Fred Ford, 919-469-9575
Newsletter: Rick Cornell, 919-270-0650 or
trianglewoodworkers@yahoo.com
Library: Kay Baker, 919-662-8504
Publicity: Ron Johnson, 919-544-2021
Sponsor: Ed Karolak, 919-383-4233
Hospitality: Kay Baker, 919-662-8504
Internet: Jim Kroeger, (919) 362-5741
Mentor: Dave Mackie, 919-859-2600 or
mackieevad@aol.com
Photograph: Ron Heidenreich, 919-848-1134
Membership: Rick Cornell or 919-270-0650
Trianglewoodworkers@yahoo.com
Audio: Tom Revelle, 919-387-8286

TWA News is published monthly by the TWA and is mailed to members, sponsors, and associates. If you are interested in contributing articles, please send to:

Triangle Woodworkers Association
P.O. Box 4206
Cary, North Carolina 27519-4206
or trianglewoodworkers@yahoo.com



Treasurer's Report

TWA Treasurer's Report			
01SEP04 - 31JUL05			
	JUL05	Fiscal YTD	FY2005
	Actual	Actual	BUDGET
Beginning Balance	6194.48	6280.48	
INCOME			
Dues	400.00	4,345.00	6,000
Misc. Income Souces		54.50	
TOTAL INCOME	400.00	4399.50	6000.00
EXPENSE			
Workshops/Programs	505.68	3,524.41	4,450
Income	-250.00		
Auction		300.00	300
Web Hosting			0
Newsletter	30.30	682.55	825
Membership		65.77	175
Administrative & Board		127.34	200
Meeting Equipment			100
Meeting Supplies		11.56	100
Library	64.11	423.54	650
Toys for Tots			200
TOTAL EXPENSES	350.09	5135.17	7,000
Ending Balance	6244.39	6330.39	-1000

Respectfully submitted, Robert Foss

Notes:

1. Program Expenses, JUN05 Shop Jigs: Speaker Fee \$100 & supplies \$25.00
2. Program Expenses, JUL05 Sharpening: Joint-Speaker Fees \$50 + \$50
3. Workshops Expenses, JUL05 Sharpening: Instructor Fee \$250 & food c
4. Workshops Expenses, JUL05 Sharpening: Food costs \$20.00
5. Workshop Income, JUL05 Sharpening: Participant Fees \$250.00

Admitted Space Filler

Ok, Ok, I could not find anything else to put in here. I know SOMEONE will use within 24 hours of receiving this. Enjoy! - Rick

How Do You Catch a Unique Rabbit?
Unique Up On It.

How Do You Catch a Tame Rabbit?
Tame Way, Unique Up On It.

What Do You Call Cheese That Isn't Yours?
Nacho Cheese.

What Do You Get From a Pampered Cow?
Spoiled Milk.

How Are a Texas Tornado And a Tennessee Divorce The Same?
Somebody's Gonna Lose A Trailer

**Triangle Woodworker's Club Meeting
Minutes
The Woodworking Shop
July 19, 2005**

Rick Cornell opened the meeting at 7:30.
Attendance: 61

New members:

1. **Jim Ackerman**
2. **Peggy Rafuse**
3. **Roger Dees**
4. **Jim Campbell**

Business:

1. **Tom Bennet**, Instructor from the Metalworking and Machining program at Wake Tech spoke about their program and encouraged anyone with a love for making things to sign up for the basic machine class. Fees are \$125 per semester and a book cost of \$100. The first class is from mid-August to mid-December. Tom had examples of the student's work, which was very fine.
 2. **Kay Baker** made a plea for volunteers to help maintain the library at the meetings. **Charlie Main** and one other individual volunteered.
 3. **Fred Ford** introduced the new TWA board nominees. Each said a bit about themselves and was available for questions. In August, the election will be held. Currently **Cecil Raynor** has spoken for VP (Program Committee Chair), **Pete Kasper** for Treasurer, **Mike Redehoff** will fill out **Hal Liberty's** term, and **Fred Ford** for President.
 4. **Sharpening Workshops**. The workshops are conducted by **Jim Smith**. Currently the session on July 23 is filled, but those on July 30 and August 6 are still open.
 5. **Toys for Tots**. The first workshops will begin in late August and finish around the end of November for an early December delivery of toys.
- c. edge does not round over.
 - c. Flatten the wide faces of the scraper on the top of the oilstone to remove burrs and get a finished, square edge.
 - d. With the scraper laying flat, stroke the flat faces of the scraper with a burnisher to begin to roll up a burr.
 - e. Place the scraper thin edge up in a vise and then roll or turn the burr back down with a burnisher to make it curl or hook over.
 - f. Burnishers can be any hard steel rod, for example a screwdriver shaft.
 - g. Pearce recommends Sandvik scrapers.
 - h. Scrapers can be reburnished at least one more time before you need to go back to squaring up the edges.
 - i. In operation, you generally tilt the scraper away from you, push it into the work, and use your thumbs on each end to provide a slight flex to the scraper to improve the aggressiveness of the cut.
2. **Paul Roffe**, carver. Manager of the Woodworking Shop. Reviewed the capabilities of the Tormek grinding system. The grinder is very adaptable. The stone is large enough diameter that the hollow grind effect is generally not a factor, particularly with carving tools. The system is pricey but apparently there is a lot of customer satisfaction with it.
3. **Jim Smith**, Japanese Soji maker from Pittsboro. Host of the 3 sharpening workshops.
 - a. Three stones are ideal: 800, 1200 and a 6000 finish stone.
 - b. Make wooden bases for each stone to hold it during use.
 - c. Smith recommends a King finish stone as it is reasonably priced. The alternative is the more rare natural stone. The finish stone is generally used with another natural stone, a Nagura stone, which is used to generate a cutting paste on the surface of the finish stone.
 - d. A 4000 intermediate grit stone is an option particularly if one is doing fine planning.
 - e. Stones should regularly flattened. Smith uses a piece of 220 grit wet/dry sandpaper on a 3/8" glass plate to accomplish this.
 - f. Once a blade has been sharpened, resharpening can be accomplished beginning with the 1200 grit stone until the edge becomes too damaged.
 - g. Store the 800 and 1200 grit stones in a water bath, and store the 600 grit stone dry.

Program: Sharpening

The program was on 3 aspects of sharpening.

Kevin Pearce talked about sharpening scrapers, **Paul Roffe** put the Tormek grinder through its paces, and **Jim Smith** talked about the care and use of Japanese waterstones.

1. **Kevin Pearce**, cabinet worker. Trained at the London School of Furniture making.
 - a. File the thin edge of the scraper flat and square with a file
 - b. Clean up this edge by rubbing the scraper along the side edge of an oil stone, taking care to keep the scraper steady so that the

Respectfully submitted,
Bill Anderson, Secretary

President's Corner

Greetings everyone. At the risk of hearing moans, groans and threats – been hot enough for you? Having “wasted” a good part of the month on vacation shop time has been sparse. As a result, I can only offer up some ramblings this month. However, as I was planning some rough cut walnut today, I was able to reflect upon my decision to include an air conditioner as part of my “remodeling” effort a year or so ago. Not only is it nice to keep the temperature down, but I no longer have a sick feeling in the pit of my stomach seeing literal drops of water on my tools! Most of you know I came here from Phoenix, so it was no big deal having my tools hanging on the wall of my garage. The first summer here was a rude awakening.

This is also the time of year I make my annual “Woodworker’s Resolution”. This year they include:

- 1) I will complete the nearly 30 wooden toy boats I have started in time for Toy’s For Tots
- 2) I will make the walnut jewelry boxes for my daughter and 5 nieces.
- 3) I will complete the two small tables 1 for our house and one for a wedding gift.
- 4) I will make that new jewelry box, the one with 100+ compartments my wife has been waiting on since January.
- 5) I will make sets of scroll sawn Christmas tree ornaments to send to family members.
- 6) I will lose that 25 pounds so I can stand closer to my workbenches!

Now I have gone and done it. Publicized my resolutions so any or all of you can hold me accountable. You know the worse part is that one resolution about the toy boats. Now I KNOW I will hear from our Toys for Tots Chairman, Fred Ford!

In closing, I want to thank one of our members who, unfortunately, is leaving the club. Tom Hurysz has been a long time member, and recently informed me he is leaving the area. Tom has been the club’s historian for several years, and has compiled quite a bit of information regarding the club’s activities. On top of

that, if you notice a few more books in the library, they might just be some of the nearly 50 Tom has donated. If you run into or find yourself talking to Tom, join me in wishing him well on his move, and extend a nice word of thanks for his contributions to the club.

We have a club full of people like that who give their time and resources. Some are more visible than others. The leadership of our club tries it’s best to thank each and everyone of you for your support and contribution, but some of you are very good at staying “behind the scenes” that we miss you. In closing, I would like to take this opportunity to thank all of you in the club for making it what it is today. See you at the meeting!

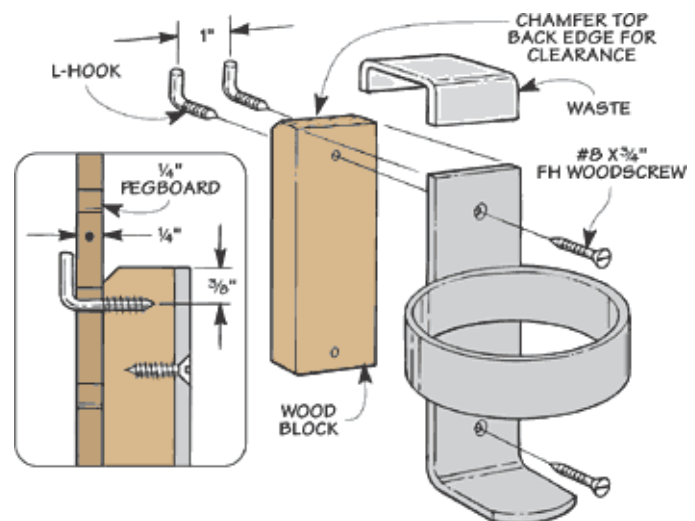
Rick Cornell

Glue Bottle Holder

From 6/16/05 weekly woodworking tip email

I always seem to be forgetting where I set my glue bottle down last. So I came up with a quick and inexpensive solution. I took a plastic coffee cup holder (the kind that fits over your car door) and mounted it to a block of wood. A couple of L-hooks allow you to hang the holder on a piece of pegboard. It also works great for holding a can of soda pop so you don’t spill it on your workbench.

Have a nice weekend,
Phil Huber,
Online Editor, *ShopNotes*



Candid Shots from the July Meeting and Workshop
-courtesy of Ron Heidenreich



Top Row: presenters Kevin Pearce, Paul Rolfe and Jim Smith

Second Row: Board candidates Pete Kasper, Mike Reddyhoff and Cecil Raynor

Third and Fourth Rows – scenes from Jim Smith’s sharpening workshop/

Program Updates—What's on Tap for the Remainder of the Year!

Sept 20th TWA meeting and workshop Sept. 24th and 25th

Ron Johnson presenting Shaker boxes

Ron Johnson is past president and long-time contributor to TWA. Ron's presentation will be a new edition of his popular "Introduction to building Shaker boxes". Ron will explain and demonstrate how to construct these popular craft items. After watching Ron, I'm sure that you would consider giving boxes as gifts to those special family members.

Workshop September 24th and 25th

For those who want more information and guidance, Ron will offer a Saturday and Sunday workshop where he will lead us through the construction of our own Shaker box.

Fee \$40 (includes all materials to make a Shaker box)

Host: Jeff Leimberger

October 21st (Friday)TWA meeting and October 22nd and 23rd workshop

Frank Klausz presenting cabinetmaking

Frank Klausz is the owner and president of Frank's Cabinet Shop Inc. in Pluckemin, New Jersey. A European trained Master cabinetmaker, his shop specializes in fine furniture reproductions and custom architectural fixtures. Frank has published many articles in woodworking magazines and appeared in several videos that have showcased his skills. He is perhaps best known for his video "Dovetail a drawer with Frank Klausz". Frank has given many teaching seminars around the country in recent years. He will give a Friday night presentation on his work and woodworking methods and a workshop on Saturday and Sunday.

Workshops October 22nd and 23rd

If interest is high enough, the workshop may be a two-day class on making a dovetailed jewelry box. Other possible workshops include hand tool joinery and finishing.

Fee \$75 both days Host: Jeff Leimberger

November 15th TWA meeting

Phil Bright, and Dick Snow presenting an auction

Annual Auction Phil Bright, a licensed professional auctioneer, and Dick Snow, a computer expert who will coordinate the auction on his laptop, will present the third annual auction at our November meeting. They have conducted many auctions and are very knowledgeable woodworkers. This is the time to not only get rid of all those tools that have been sitting around in your shop for years that you know you will never use, but also pick up a little money at the same time. Also, this is a chance to pick up someone else's treasure. As they say one man's trash (tool) is another man's treasure (tool). Host: Ed Karolack

December 13th TWA meeting

Fred Ford presenting Toys for Tots

The December meeting is going to be a meeting and social. We want everyone to bring a spouse or friend. We are going to have coffee, soft drinks, and dessert. We will have some time to socialize, a brief business meeting, and a show and tell featuring the Toys for Tots donations. Everyone is also encouraged to bring items they have made to show to the members and guests. The Marine Corps will be there to receive the toys and to add a spot of color to our meeting.

Host: Fred Ford

TWA Sponsors

Ashcroft Saws and Tools 876-3223
3216-G Wellington Ct, Raleigh, NC
25% off list on blades and 10% off on sharpening

Capitol City Lumber Co. 832-6492
4216 Beryl Road, Raleigh, NC 1-800-244-6492
Special prices to TWA members
<http://www.capitolcitylumber.com/>

Stock Building Company 828-7471
3000 Yonkers Rd
Hwy. 64 & Old US 1

Klingspor's Woodworking Shop
(919) 876-0707
3141 Capital Blvd. (.9 mile N of Beltline exit 11)
(10% discount excluding lumber and power tools)
www.woodworkingshop.com

Raleigh Hardwood Center 231-6620
4213 Poole Rd, exit 15 off 440 Raleigh, NC
(10% discount all non-sale items)
www.hardwoodgroup.com

Raleigh Saw 832-2248
5805 C Departure, Raleigh, NC 27616
(10% discounts on all new products)

Yarnell-Hoffer Hardware 942-3500
145 Rams Plaza, Chapel Hill, NC
www.doitbest.com/yh
10% discount except power tools and sale items

Tarheel Wood Treating Co. 467-9176
Highway 54, Morrisville, NC
(Contractors prices on all wood products)
Show TWA card before order is written

The Hardwood Store 1-888-445-7335
Gibsonville, NC
Discount: 10 cents per board foot
www.hardwoodstore.com

Woodworker's Supply of NC
1125 Jay Lane, Graham, NC
(Wholesale prices)
store (336) 578-0500
mail order 1-800-645-9292
www.woodworker.com

Professional Tool Manufacturing
www.drilldoctor.com
25% Discount for online purchase of any Drill Doctor. Must use coupon code: TWAi
Contact wms@protoolmfg.com with any questions.

Guy C. Lee Building Materials 362-1444
900 N. Salem St., Apex, NC

Home Depot does not provide discounts, due to company policy, but they support our Toys For Tots program by providing space and materials. They deserve our support.

\$Classified Ads\$

Classified ads are free to all current members. Ads will run for two issues. If you would like something listed, please send a note to the editor at: TriangleWoodworkers@yahoo.com

Wanted - Old style, open frame electric motor. Must be single phase. Prefer 1/4 to 1 hp. Will power demonstration line shaft display. Contact Ed Hobbs, 919-828-2754, or email: hobbsed@portbridge.com (11/05)

Wanted: A Performax or Delta drum sander, molding machine by W&H or Shopfox, and spray equipment. Please contact Kay Alexander. 919-219-1177 or email: kay_alexander@bellsouth.net (11/05)

For Sale or Swap for other equipment, wood or cash. This equipment is in excellent condition and well maintained. I have changed my style of woodworking and no longer have a need for the equipment. Makita Sliding Compound Miter Saw 10" Model S1011 - \$200; Leigh Dovetail Jig 24" Includes video and Bits - \$200; Delta Two Stage Dust Collector Drum Style (45 Gallon) 3/4 Horse 110 or 220 14.5 amps - \$100, HTC Table saw, Out feed Rollers Model HOS 1040 (Folds down when not in use) - \$100 Ryobi 10" Surface Planner 2 Sets of blades - \$200, Wanted: Wood 8/4 -plus Hard wood Shaper cutters Lathe 6"Belt/12" Disk Sander 1-1 2/2 hp Call Doug 919-559-5956 (9/05)

For Sale: Used 200A meter base—bottom knock outs gone, \$25. 200A 20/40 Siemens Panel, \$75. Contact Ed Mastin 919-493-5179 (11/05)

For Sale: Ridgid radial arm saw with moulding package. About two years old and fewer than two hours on the motor. Three cuts in the table! Includes printout of RAS e-book and VHS video: Radial Arm Saw Joinery with Curtis Erpelding. \$500. Jason 782-0924 or jwf@pineapplelane.com.

For Sale: I am trying to sell my two DW788 Scroll Saws with stands, plans, and assorted materials in. Ito sell the entire (including both saws) for \$575.00 -negotiable. Penny Smith, Wendell, NC. swesson1@aol.com; H) 919 365-9116, C) 919-630-2000 (9/05)

For Sale: Big book sale at August meeting. I will have a number of books for sale at our August TWA meeting. Mostly new, mostly Taunton Press. 40% - 50% off list prices. Ed Karolak

Interested in antique/traditional woodworking tools? To find out about Mid-West Tool Collectors Association, contact Ed Hobbs at 828-2754 or hobbsed@portbridge.com (9/99)

TWA

Membership Application

Complete and mail to:

Triangle Woodworkers Association
P.O. Box 4206
Cary, North Carolina 27519-4206

Name: _____

Address: _____

City: _____ State: _____ Zip: _____

Phone: _____ E-mail: _____

Spouse's name, if joining (fee is \$1.00): _____

Skill level: Beginner [] Intermediate [] Advanced [] Professional []

New member- email newsletter \$30.00 []

New Member – hard copy newsletter \$35.00 []

Renewal – email newsletter \$25.00 []

Renewal – hard copy newsletter \$30.00 []

Check # _____

Cash Amount _____ (Do not send cash through mail!)

Privacy Opt-Outs: Please Do NOT Publish My [] Phone Number [] Email Address on Membership lists. (Note: This means your phone and email information will be used only for club correspondence by club officers and committee chairman)

MEMBERSHIP EXPIRED? Check the mailing label, for the expiration date of your membership. If it says EXPIRED, please contact our membership coordinator to renew. You may receive several newsletters past your expiration date and then no more. If you have a question about your membership, please contact Rick Cornell (919-319-9980).

Triangle Woodworkers Association
P.O. Box 4206
Cary, North Carolina 27519-4206