

Next Meeting:

August 15th, 2006

The Woodworking Shop
3141 Capital Boulevard
Raleigh, NC

Several members meet 6:00 pm, at Buffalo Brothers
Pizza & Wings for dinner prior to the meeting.

August 15th Meeting

Furniture Design

Michael Joerling is a professional furniture maker from Chapel Hill and becoming somewhat of a regular at TWA meetings. He has operated his own studio near his home since 1984. He creates both commissioned and gallery pieces that are sold and exhibited across the nation.

Besides creating beautiful objects in wood, Michael has taught woodworking classes over the last several years. He is a past recipient of a Fine Arts Scholarship to Georgetown College and has studied at the Haystack School of Arts & Crafts, where he also was a teaching assistant. He recently completed his second teaching assignment at NC's Penland School of Crafts.

His work has been featured in *Celebrating the Creative Spirit: Contemporary Southeastern Furniture*, touring six museums of the Southeast, 1998; *Presenter's Show, Spotlight '97* at the American Craft Council Southeastern Conference, 1997; *The Designed Object* at the Duke University Museum of Art, 1996; *Eight NC Furniture Makers* at the Greenhill Center, Greensboro, NC, 1995; *Spotlight 94*, the American Craft Council's Southeastern Regional Exhibit, 1994; *New Furniture*, at the Visual Arts Center, NC State University, 1994; and a one-person exhibit in 1994 at the Durham Arts Council, Durham, NC.

In 1998, Michael Joerling was featured in *Creating a Theatre of Art* in *Decor Magazine*, he was the featured artist in the *Portfolio* section of *American Craft Magazine* in 1995, and 1992 he was a featured artist in *North Carolina Home Magazine*.

Michael will give a presentation on furniture design. He will outline how he goes about the creative process and interacts with clients on commissioned pieces. Host: Jeff Leimberger

September Program

Wood Scientist, BTh, MTh, OM, BS, MWPS. Will present a program about wood selection. Scotty is a member of NCSU Chapter of and the National Forestry Honor Society. He has taught classes at NC State and at Woodcraft and specializes in wood identification, properties, utilization, dendrology and botany. He has an extensive wood collection from all over the world and will share with us how to select the right wood for a project. Host: Kay Baker

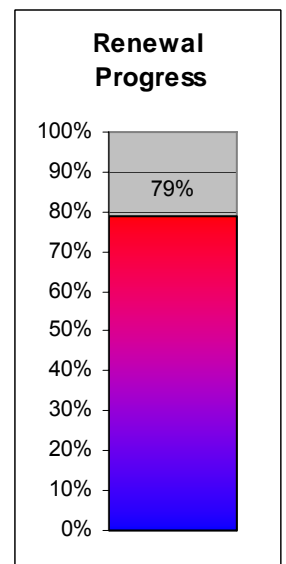
Membership Renewal Update

We have made considerable progress with our "re-alignment" of each member's expiration date to August 1st. To date over 149 have sent in their pro-rated dues! A hearty "Thank You" to all of you who have taken care of this in such a timely manner! Please remember this effort will affect everyone with an expiration date other than July 31st.

I will be set up in the back of the meeting area starting at 7:00 pm this month with your new cards. Please drop by and pick them up. I will also have a list of those who have not renewed with me, as well so you can write a check and "take care of business" at that time. I am hoping everyone will help to reduce mailing expenses by picking up their renewals at the August and September meetings.

If you have not received your invoice, please contact me immediately. I may be contacted by email at Trianglewoodworkers@yahoo.com or phone 919-270-0650.

Please keep in mind individual renewal reminders are no longer being sent. If your membership expires you must bring your dues current as of the beginning of the club year. Submitted by Rick Cornell.



About the Triangle Woodworkers Association

The Triangle Woodworkers Association (TWA) is a nonprofit educational corporation. The TWA is dedicated to teaching woodworking techniques through seminars, classes, and workshops; participants are required to sign waivers absolving liability for TWA or its designated representatives. The TWA promotes woodworking education and community interest in woodworking and in general sharing a love for wood.

Club Officers and Committee Chairmen

Executive Board

President: Fred Ford, (919) 469-9575 or fredford@nc.rr.com
Vice President: Cecil Raynor, (919) 870-0508 or raynorc@bellsouth.net
Secretary: Bill Anderson, (919) 932-6050 willardanderson@bellsouth.net
Treasurer: Pete Kasper pkasper@chillitech.com
Members at Large: Rick Cornell, Mike Reddyhoff, {1 vacant position}

Committee Chairman

Program: Cecil Raynor, (919) 870-0508 or raynorc@bellsouth.net
Nominating: Fred Ford, 919-469-9575 or fwford@bellsouth.net
Toys for Tots: Fred Ford, 919-469-9575
Newsletter: Rick Cornell, 919-270-0650 or trianglewoodworkers@yahoo.com
Library: Kay Baker, 919-696-8504 kdbakerkdb@yahoo.com
Publicity: Charlie & Jane Main, (919) 787-4446
Facilities: Chet Nedwidek,
Raffle: Max Hayes
Sponsor: Bill Anderson, (919) 932-6050 willardanderson@bellsouth.net
Hospitality: Kay Baker, 919- 696-8504
Internet: Jim Kroeger, (919) 362-5741
Photograph: Ron Heidenreich, 919-848-1134
Membership: Rick Cornell - 919-270-0650 or Trianglewoodworkers@yahoo.com
Audio: Tom Revelle, 919-387-8286

TWA News is published monthly by the TWA and is mailed to members, sponsors, and associates. If you are interested in contributing articles, please send to:

Triangle Woodworkers Association
P.O. Box 4206
Cary, North Carolina 27519-4206
or trianglewoodworkers@yahoo.com

Deadline for submitting articles and classified ads to the next newsletter is end of day:

August 31, 2006

By the Numbers

Treasurer's Report

Balance (Incl. Petty Cash) 7/1/2006	\$4,535.86
Income	\$1819.50
Expense	\$ 639.50
Balance (" " ") 7/31/2006	\$5715.85

Respectfully submitted,
Pete Kasper
Treasurer

Membership

Total Members:	181 (As of 7/31/06)
New Members:	3
Dropped:	5
Renewals:	83

Time to Sort Your Tools!

As hard as it is to believe, we are within "view" of our annual auction. This is a good time to start sorting through those tools you no longer need, magazines you've read and maybe even some extra stock you want to get rid of! Phil Bright and Dick Snow will conduct the annual TWA auction. Phil is a retired professional auctioneer and Dick is a computer expert, who will record the auction proceedings on his laptop computer. They have conducted many auctions and are very knowledgeable woodworkers. We are fortunate to have their services. Host: Ed Karolak

Program Planning for 2007 underway

Your program committee will be meeting in June to lay plans for the 2007 TWA program. Cecil Raynor, the Program Committee Chairman, is interested in receiving suggestions regarding program topics and recommended speakers from individual TWA members with the intention of making the 2007 program one of the best yet.

Rather than conducting another survey this year the Program Committee will use the surveys from the last two years for general guidance with specific recommendations from the committee and TWA members. Send your suggestions to Cecil Raynor via email at raynorc@bellsouth.net or via snail mail at 1508 Briarwood Place, Raleigh, NC 27614. Submitted by Cecil Raynor

The Presidents Corner

By Fred Ford

It is hard to believe the summer of 2006 is coming to a close. Some of us still are looking forward to a last minute vacation, but the majority are bracing for the start up of school.

As we end the summer, we will be electing new board members at our August meeting. On August 21st we will have our most important board meeting of the year. At this meeting all current and new board members will attend with voting rights, and we will jointly set the plans and budget for the coming year. As always, all club members are welcome to attend. If you would like to attend, please call me and I will make sure you have a place to sit to participate.

September brings the start of our annual Toys for Tots workshops. The committee that executes the workshops is made up of the hosts who sponsor workshops at their shops, the members who staff the workshops, and the coordinating staff who help in the organization of the workshops by finalizing the toy design, working on the process and tools to be used, supplying needed materials and supplies and much more. Pete Hodges and I fall into this last category. I need three more to help -- any volunteers?

During the August meeting I will again circulate the sign up sheet to staff the workshops. Below is a list of the workshops and a number indicating the preferences of those 40 members who signed up in July. Please feel free to modify your preferences and if your name is not present to add it. After the August meeting I will be calling everyone who signed up to get their committed preferences

You can see from the numbers below we need to adjust the staffing. Please help where you can.

Sept. 16 th Diane Eckard	3 signed up need 15
Sept. 23 rd Diane Eckard	7 signed up need 15
Oct. 7 th Dave Mackie	12 signed up need 8
Oct 14 th Dave Mackie	11 signed up need 8
Oct 28 th Bill Anderson	8 signed up need 15
Nov 18 th Woodworking Shop	15 signed up need 15

Sharing a Love for Wood, Fred

Triangle Woodworkers Association Minutes

Tuesday, July 18, 2006

Attendance: 70

Guests:

Wayne Barr, Durham

Find us on the internet: www.ibiblio.org/twa

Jim Ackerman, Pittsboro
Keith Braswell, Fuquay-Varina

New Members: none

New Business:

1. **Toys for Tots.** **Fred Ford** announced the workshops for the TFT program for this Christmas.
 - a. **Diane Eckjerd**, Creedmoor: September 16 and 23
 - b. **Dave Macke**, Cary: October 7 and 14
 - c. **Bill Anderson**, Chapel Hill: October 28
 - d. Klingspor Store, Raleigh: November 18
2. Nominating Committee. **Fred Ford** announced the two new members running for seats on the TWA Board: **Kay Baker** and **Max Haynes**.
3. **Bob Gabor** made an announcement about the Habitat for Humanity store in Pittsboro. This store is located ½ mile on 64W from the courthouse. Open Saturdays from 10 until 4. They currently have a Delta Unifence (50") for \$150. Drawer pulls are \$1 each. MDF sheets are \$5 each, those that are edge damaged are \$2.
4. **Rick Cornell** asked that members please renew by July 31. He reiterated that this new system of renewals will make keeping track of renewals very easy both for members and for the Treasurer and Membership Chairs, and appreciates the forbearance of all members during this transition period. Please contact him if you have not received an invoice or if you do not know how much you owe to come in line with the new membership year.
5. **Paul, Manager at Klingspor**, indicated that certain antique tools will be offered at their store now. He had a selection of Stanley Bedrock planes and other Stanley style planes for viewing on the front table.

Program:

Cecil Raynor introduced **Denise Grohs** of Miter Touch (<http://www.miterstouchinc.com>) in Boone, NC. Denise is a maker of fine custom furniture and cabinetry. Denise is an adjunct professor at Appalachian State and a member of the Furniture Society, the High Country Furniture Makers and shows her pieces at the Hands Gallery in Boone, NC. Denise presented a program on her approach to furniture design.

Respectfully submitted,
Bill Anderson, Secretary

Submitted by Fred Ford for Bill Anderson

Club Candids

Photos by Ron Heidenreich



President Fred Ford Addressing the Club



Denise Pondering a Club Member's Question



Paul announced the store would begin consignment sales of hand tools, and displayed some of the initial selection.

Hints From the Web

Several times a month, emails with free hints are sent out to help woodworkers in their hobby. Here is one recently received from the editors of Shop Notes, Woodsmith and Workbench magazines. Several times in our meetings we have been shown useful ways to use an inexpensive dial indicator as part of the effort to tune a table saw. Here is one to help ensure consistent thickness when planing stock.

Fast Fix for Glue Smudges



If you notice stain not “taking” in a particular spot, the key is to address the problem quickly before the stain sets.

Quick Fix — After wiping the smudged area (Fig. 1), take a scraper and rake it gently over the area to remove glue residue (Fig. 2). If you’re working in a tight space, then use a sharp chisel to scrape the wood fibers. Just hold the chisel with the bevel facing away from you, and gently pull it toward you.

After scraping, use 180-grit sandpaper to sand the area. Then, gently sand a small portion of the stained wood around that area. This creates a seamless transition between stained and unstained wood, so any color differences won’t be noticeable (Fig. 3). Finally, carefully wipe away dust, and continue applying stain (Fig. 4).



Fig. 1: First, remove as much of the wet stain from the wood as possible with a clean rag.



Fig. 2: Next, use a scraper to remove the glue residue, scraping down to bare wood



Fig. 3: Hand-sand the spot, and also gently sand the stained area around it for a seamless transition



Fig. 4: After wiping away dust, resume applying stain to the project for a flawless, smudge-free finish

Good woodworking, Wyatt Myers, Online Editor, *Workbench*

Quick Mounting Machinist Vise

I don't use my machinists' vise all that much. So it's usually stored beneath my bench. But when I need to work with metal parts, I still want a quick way to secure the vise. The solution is to bolt the vise to a T-shaped platform that tightens in the front vise of the workbench, see photo. It's just a $\frac{3}{4}$ "-thick piece of plywood glued and screwed to a short piece of "two-by" material. Note: To provide clearance for long, vertical workpieces, position the machinists' vise so the back jaw sticks out past the front edge of the plywood.

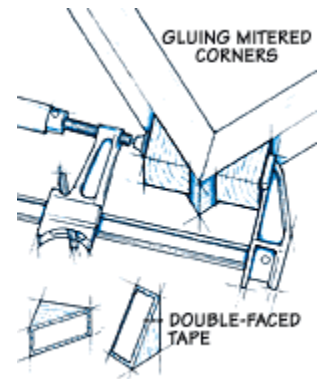
Joseph Ponessa, Moorestown, New Jersey



Carpet Tape

I've found countless uses for double-faced cloth carpet tape over the years. Here are some of my favorites:

- Attach patterns made of plywood or hardboard to your workpiece with carpet tape. Rough-cut the board close to the pattern, then use your router and a pattern bit with a bearing that follows the template to rout the board to final shape. (Note: See [Routing Multiples](#))
- Stick carpet tape on the flaps of hinges to keep them from moving while you mark their location, drill screw holes, and position doors.
- Make triangular clamping blocks and stick them to the outside edges of mitered corners with carpet tape. Then use regular straight clamps across the blocks for the glue-up.



- To align false fronts on drawers, push the drawer carcass into its opening in the cabinet. Stick carpet tape to the back face of the drawer front. Then position the drawer front in the opening, making sure you have even gaps on all sides, and push the drawer front against the carcass. Pull out the drawer and screw on the front. You can leave the tape in place.
- Attach auxiliary fences to your table saw or router table fence with carpet tape. They hold tight, and there are no clamps to get in the way.

Keith
Des Moines, IA

Hennessey

TWA Sponsors

Ashcroft Saws and Tools 876-3223
3216-G Wellington Ct, Raleigh, NC
25% off list on blades and 10% off on sharpening

Capitol City Lumber Co. 832-6492
4216 Beryl Road, Raleigh, NC 1-800-244-6492
Special prices to TWA members
<http://www.capitolcitylumber.com/>

The Hardwood Store 1-888-445-7335
Gibsonville, NC
Discount: 10 cents per board foot
www.hardwoodstore.com

Guy C. Lee Building Materials 362-1444
900 N. Salem St., Apex, NC

Klingspor's Woodworking Shop
(919) 876-0707
3141 Capital Blvd. (.9 mile N of Beltline exit 11)
(10% discount excluding lumber and power tools)
www.woodworkingshop.com

Nice Figures Studio and Lumber Sales
1413 New Hope Trace
Chapel Hill, NC 27516
Phone: 919-923-1433
information@nicefigures.com
contact: Paula Labelle
10% discount, and contribute to the raffle

Professional Tool Manufacturing
www.drilldoctor.com

25% Discount for online purchase of any Drill Doctor. Must use coupon code: TWAi

Contact wms@protoolmfg.com with any questions.

Raleigh Hardwood Center 231-6620
4213 Poole Rd, exit 15 off 440 Raleigh, NC
(10% discount all non-sale items)
www.hardwoodgroup.com

Raleigh Saw 832-2248
5805 C Departure, Raleigh, NC 27616
(10% discounts on all new products)

Stock Building Company 828-7471
3000 Yonkers Rd
Hwy. 64 & Old US 1

Tarheel Wood Treating Co. 467-9176
Highway 54, Morrisville, NC
(Contractors prices on all wood products)
Show TWA card before order is written

Woodcraft
6582 Glenwood Ave
Raleigh, NC 27612
Phone: 919-781-1911
<http://www.woodcraft.com/stores/store.aspx?id=532>
Supplier of monthly raffle gift certificates

Woodworker's Supply of NC
1125 Jay Lane, Graham, NC
store (336) 578-0500
mail order 1-800-645-9292
www.woodworker.com

Yarnell-Hoffer Hardware 942-3500
145 Rams Plaza, Chapel Hill, NC
www.doitbest.com/yh
10% discount except power tools and sale items

Classified Ads

Classified ads are free to all current members. Ads will run for two issues. If you would like something listed, please send a note to the editor at: TriangleWoodworkers@yahoo.com

For Sale: I have a Delta 14" Variable Speed Wood Lathe for sale, cost over \$650.00 sell for \$ 500.00 Not used very much. Will deliver. Max Hayes, mwh67snc@yahoo.com, 919-774-9526, Sanford, NC (9/06))

For Sale: 52" Delta Unifence System. (Has saw blade scrape mark which can be covered over.) \$165.00. At Chatham County Habitat for Humanity Home Store Too., 467 West Street, Pittsboro. Phone 919-542-0788. Bob Gabor (10/06)

Interested in antique/traditional woodworking tools? To find out about Mid-West Tool Collectors Association, contact Ed Hobbs at 828-2754 or hobbsed@portbridge.com (99/99)

In This Issue

August 15th Meeting	1
September Program.....	1
Membership Renewal Update	1
Club Officers and Committee Chairmen.....	2
By the Numbers.....	2
Time to Sort Your Tools!	2
Program Planning for 2007 underway	2
The Presidents Corner.....	3
Triangle Woodworkers Association Minutes	3
Club Candids	4
Hints From the Web	5
Classified Ads	7

Already Renewed?

*Pick Up Your New
Membership Cards
at the August 15th
Meeting!*

**Triangle Woodworkers Association
PO Box 4206
Cary, NC 27519**

