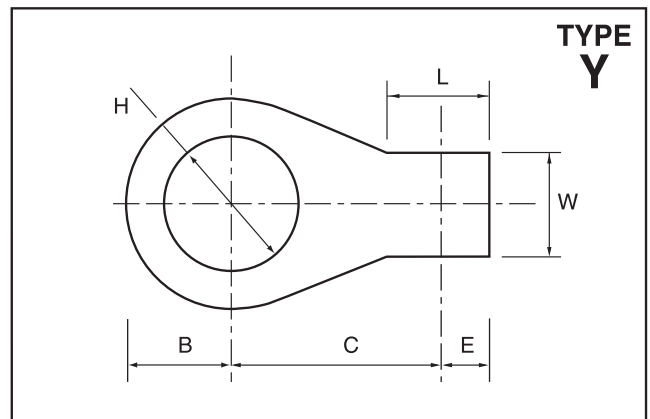
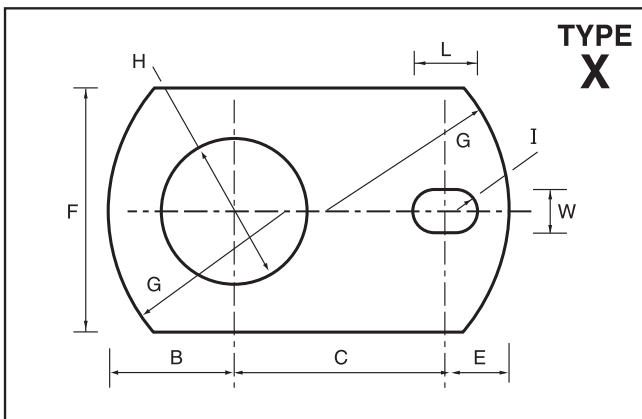
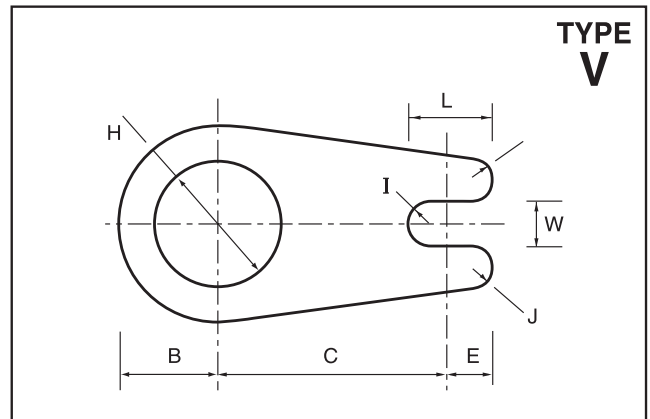
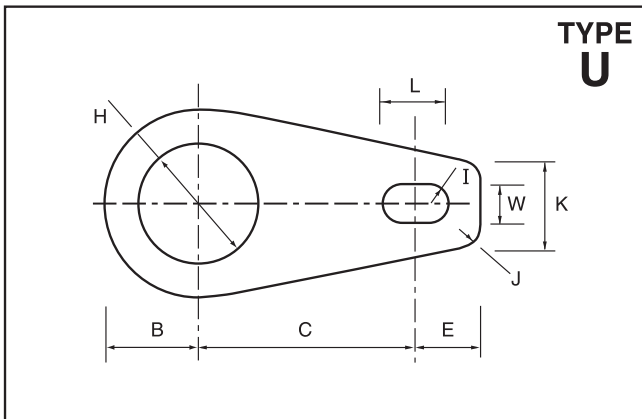
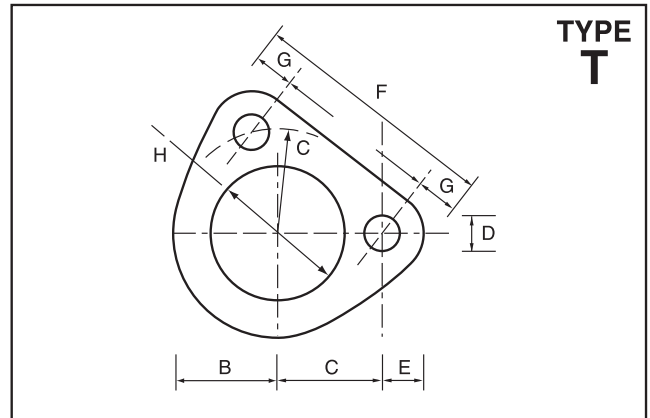
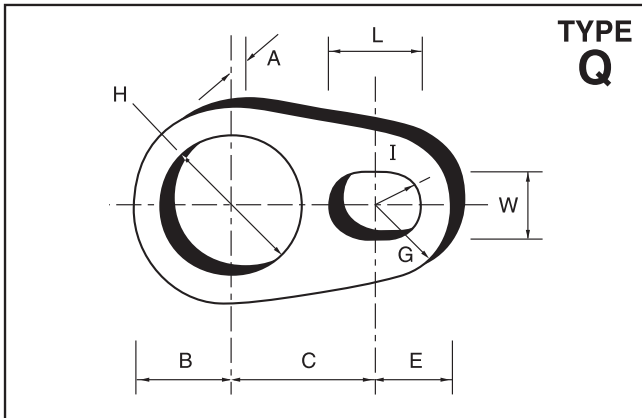
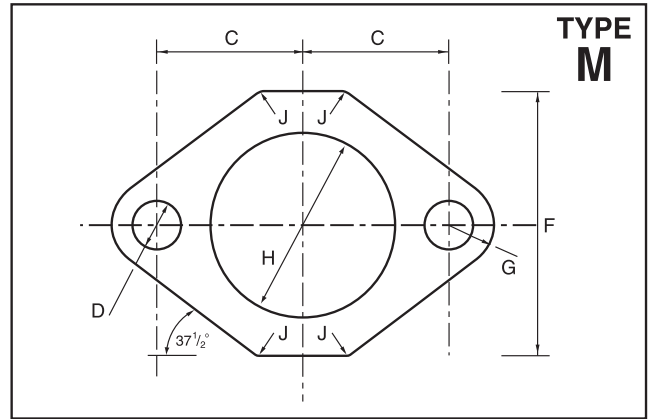
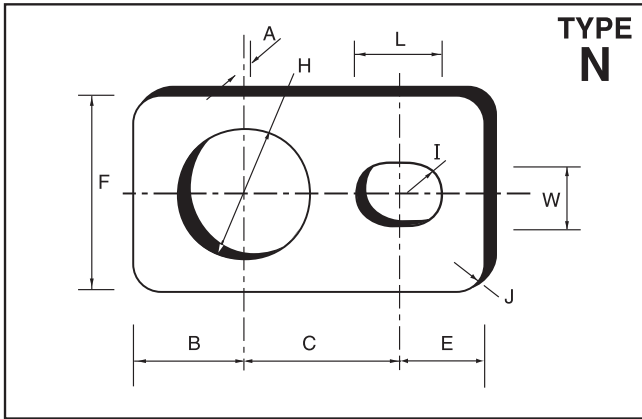


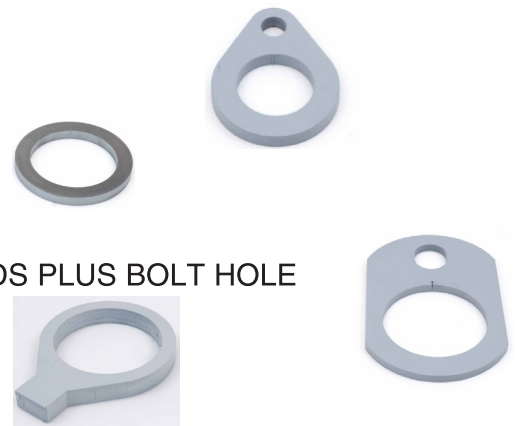
Pin Retainers - Weld-on End Plates - Pin Tags



Pin Retainers - Weld-on End Plates - Pin Tags

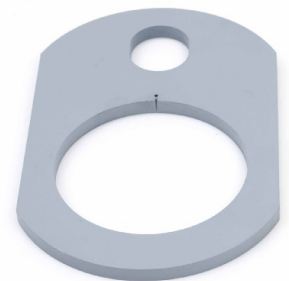
PLATE TYPE SYMBOLS

- M = MANIFOLD FLANGE - TWO BOLT HOLES AT 80°
- N = RECTANGLE PLATE WITH BOLT HOLES
- Q = TEAR DROP SHAPE WITH BOLT HOLE
- R = ROUND FLANGE - NO BOLT HOLES
- T = TRIANGULAR FLANGE - TWO BOLT HOLES
- U = ROUND HEAD, TAPER SIDES, STRAIGHT END
- V = TEAR DROP SHAPE WITH OPEN END SLOT
- X = "RECTANGULAR" - STRAIGHT SIDES, CURVED ENDS PLUS BOLT HOLE
- Y = ROUND FLANGE WITH RECTANGULAR TAG
- Z = SQUARE PLATE - NO BOLT HOLES

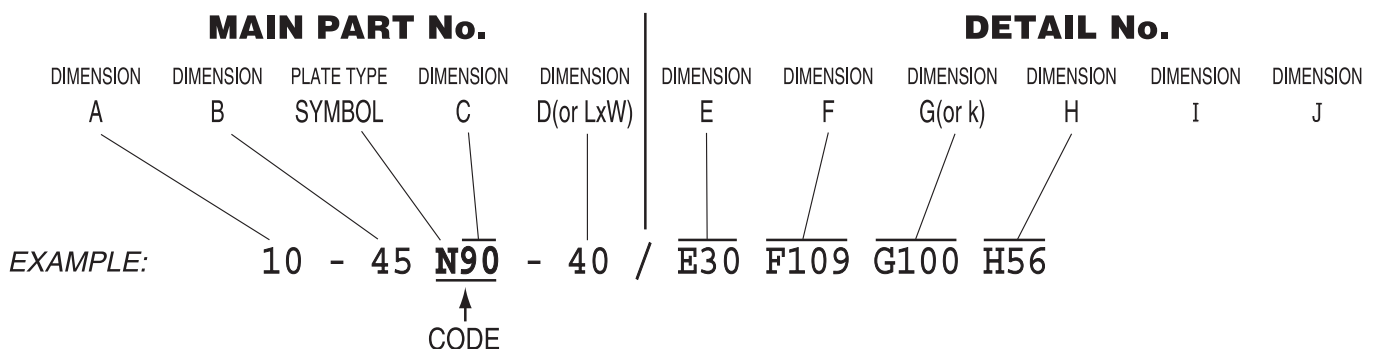


DIMENSION SYMBOLS - DIMENSIONS IN MILLIMETRES

- A = THICKNESS OF PLATE
- B = DISTANCE FROM CENTRE OF LARGE HOLE (PIN AXIS) TO NEAR END OF PLATE
- C = DISTANCE FROM PIN AXIS TO CENTRE OF BOLT HOLE
- D = DIAMETER OF BOLT HOLE - OR SLOT SHOWN AS Lmm x Wmm
- E = DISTANCE FROM CENTRE OF BOLT HOLE TO END OF PLATE
- F = WIDTH OF PLATE
- G = RADIUS AT SMALL END OF PLATE
- H = DIAMETER OF LARGE HOLE (WHERE PIN IS WELDED ON)
- I = RADIUS OF SLOT
- J = BLEND RADIUS
- K = WIDTH OF SMALL END OF TAPERED PLATES
- L = LENGTH OF SLOT OR RECTANGULAR TAG
- W = WIDTH OF SLOT OR RECTANGULAR TAG



PART NUMBER SYSTEM FOR WELD-ON PLATES



Pin Retainers - Weld-on End Plates - Pin Tags

| Plate Thickness | CODE | Price Ex GST | Pin Hole Diameter | |
|-----------------|----------|--------------|---------------------|---------|
| 6 mm | 46 M35 | 11 \$10 | E11 F65 G11 H48 | J10 |
| 8 mm | 35 Q34 | 12 \$12 | E12 - - H29 | |
| 8 mm | 30 Q35 | 12 \$12 | E12 - - H36 | |
| 6 mm | 49 M37.5 | \$11 | E11 F75 G11 H58 | J10 |
| 6 mm | 35 U40 | 0 \$14 | E0 - K70 H43 | |
| 6 mm | 35 T39 | 13 \$9 | E15 F90 G15 H48 | |
| 6 mm | 20 Q40 | 16x13 \$14 | E15 G15 H21 | Popular |
| 6 mm | 40 T42.5 | 13 \$10 | E15 F90 G15 H58 | |
| 6 mm | 35 Q43 | 14 \$15 | E18 - - H50 | |
| 6 mm | 34 Q44 | 27x21 \$17 | E26 - G26 H30 | |
| 8 mm | 24 V44 | \$10 | E8 H37 | |
| 6 mm | 22.5 X45 | 14 \$10 | E22.5 F45 H23 | |
| 8 mm | 42 Q49 | 0 \$10 | E15 - G15 H50 | |
| 6 mm | 33 Q50 | 27x23 \$19 | E21 - G21 H44 | |
| 16 mm | 38 N51 | 33 \$24 | E26 F76 H55 | |
| 8 mm | 40 V52 | 25x16 \$10 | H58 | |
| 8 mm | 32.5 V57 | 25x20 \$18 | E12.5 L25 W20 H44 | J7 |
| 10 mm | 28 X57 | 32x27 \$22 | E25 F76 G50 H45 | |
| 6 mm | 41 X58 | 35x30 \$26 | E30 F75 G50 H46 | 129 |
| 12 mm | 40 Y58 | 34x30 \$28 | E17 H46 | |
| 6 mm | 36 X59 | 36x30 \$26 | E30 F75 G50 H45 | |
| 6 mm | 40 X60 | 36x30 \$30 | E30 F90 G60 H55 | |
| 6 mm | 33 Q60 | 14 \$12 | E15 - - H48 | |
| 6 mm | 25 Q61 | 15x10 \$14 | E14 L15 W10 H35 | |
| 8 mm | 45 Y62 | 30x20 \$20 | E15 L30 W20 H58 | |
| 16 mm | 46 Y69 | 38x38 \$25 | E19 L38 W38 H61 | 134 |
| 8 mm | 44 Q70 | 21x13 \$16 | E19 - G19 H63 | |
| 8 mm | 35 V71 | 32x27 \$20 | E16 L32 W27 H48 | |
| 10 mm | 45 V72 | 32x13 \$20 | E13 L32 W13 H56 | |
| 16 mm | 46 Y71 | 38x38 \$23 | E19 L38 W38 H66 | 136 |
| 12 mm | 43 V77 | 44x25 \$30 | E22 Volvo L120F H42 | |
| 12 mm | 36 Y78 | 32x29 \$18 | E16 H55 | |
| 10 mm | 45 Q77 | 40x30 \$30 | H55 | |
| 16 mm | 35 Q79 | 31 Dia \$30 | E25 G25 H37.5 | |
| 10 mm | 53 Q80 | 38x32 \$30 | E33 G30 H60.5 | |
| 10 mm | 50 V80 | 40x25 \$40 | E20 F100 H65 | |
| 8 mm | 50 X80 | 48x40 \$40 | E42 F100 G95 H63 | |
| 10 mm | 53 Q81 | 38x32 \$30 | E33 G30 H60.5 | |
| 10 mm | 53 X81 | 42x32 \$34 | E38 F100 G95 H66 | |
| 12 mm | 55 V82 | 37x28 \$30 | E18 Volvo L120F H70 | |
| 10 mm | 50 X82 | 44x40 \$34 | E40 F100 G95 H72 | |
| 16 mm | 62 Y81 | 38x38 \$18 | E19 L38 W38 H95 | |
| 12 mm | 40 Y83 | 30x30 \$30 | H40 | |
| 8 mm | 35 V83 | 24x16 \$15 | E12 J8 K48 H46 | |
| 20 mm | 56 Y84 | 46x38 \$48 | E23 L46 W38 H66 | 160 |
| 8 mm | 56 Q85 | 21x13 \$18 | E22 G22 H82 | |
| 12 mm | 55 U85 | 50x40 \$30 | E45 I=20 J20 H67 | K80 |
| 20 mm | 55 Y85 | 34x40 \$48 | E17 L34 W40 H76 | 160 |
| 20 mm | 66 Y86 | 26x40 \$34 | E13 L26 W40 H86 | 163 |
| 20 mm | 60 Y87 | 25x40 \$34 | E13 L25 W40 H86 | 160 |
| 20 mm | 65 Y88 | 25x40 \$34 | E13 L25 W40 H96 | 166 |
| 8 mm | 35 V88 | 32x27 \$20 | E16 L32 W27 H48 | |

Steel Laser Cutting Sydney Complete Profiling Services

Laser cut profiles to 12mm thick
Precision Machine

Plasma cut profiles up to 25mm thick
Clean Finish Steel Profiles
Construction Base Plates

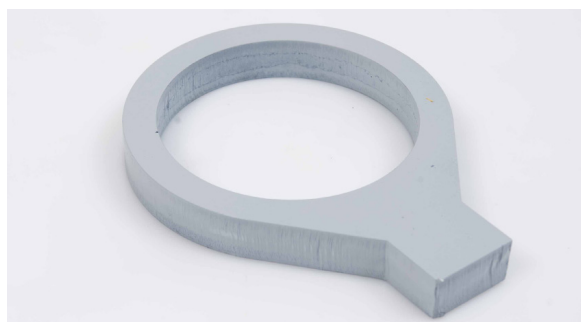
Phone 02 9912 5100



Wholesale Prices
shown for \$170
Minimum order

Retail: POA
\$120 Min order

Plus freight & GST. All prices
subject to change without notice



Newcastle - Sydney Region - Australia

Pin Retainers - Weld-on End Plates - Pin Tags

| Plate Thickness | CODE | Price Ex GST | Pin Hole Diameter | |
|-----------------|----------|--------------|--------------------|---------|
| 12 mm | 44 V89 | 50x30 \$39 | E25 L50 W30 H48 | I=15,J8 |
| 12 mm | 85 X89 | 48x40 \$24 | F125 H80 | 200 |
| 20 mm | 60 Y89 | 34x38 \$28 | E17 L32 W38 H76 | |
| 20 mm | 60 Y90 | 50x40 \$50* | E25 L50 W40 H76 | 175 |
| 10 mm | 35 Q90 | 22x16 \$22 | E25 - G25 H46 | |
| 12 mm | 68 X90 | 48x40 \$34 | E42 L48 W40 H81 | 200 |
| 10 mm | 42 Q91 | 22x16 \$30 | E24 - - H56 | 155 |
| 20 mm | 60 Y91 | 40x40 \$50 | E20 L40 W40 H86 | 170 |
| 12 mm | 68 N91 | 48x40 \$20 | E42 L48 W40 H91 | |
| 12 mm | 68 X91 | 48x40 \$34 | E42 L48 W40 H91 | 200 |
| 12 mm | 61 X92 | 44x40 \$34 | E38 F125 G100 H91 | 190 |
| 12 mm | 50 X95 | 40x30 \$34 | E38 F100 G80 H70 | |
| 20 mm | 67 Y96 | 28x38 \$36 | E14 L28 W38 H106 | 177 |
| 8 mm | 41 Q97 | 13 \$22 | E22 - G22 H46 | |
| 16 mm | 45 N100 | 16 \$26 | E26 F90 J15 H49 | |
| 8 mm | 49 Q100 | 35x33 \$28 | E25 - G25 H66 | |
| 12 mm | 65 Q101 | 48x40 \$34 | E44 L48 M40 H75 | |
| 20 mm | 60 Y100 | 50x40 \$32 | E25 L50 W40 H86 | 185 |
| 20 mm | 70 Y101 | 52x52 \$32 | E26 L52 W52 H110 | 196 |
| 12 mm | 39 X102 | 44x30 \$30 | E42 F80 G80 H55 | 183 |
| 18 mm | 60 Y103 | 35x65 \$48 | E18 - - H85 | 181 |
| 10 mm | 38 X105 | 40x30 \$25 | E42 F80 G80 H46 | 183 |
| 12 mm | 95 Y105 | 80x100 \$30 | E40 L80 W100 H136 | |
| 10 mm | 38 X107 | 40x30 \$30 | E36 F80 G80 H55 | 183 |
| 16 mm | 42 Y107 | 45x39 \$46 | E22 L45 W39 H65 | 172 |
| 18 mm | 80 Y108 | 24x38 \$38* | E12 L24 W38 H96 | 200 |
| 16 mm | 50 N110 | 0 \$28 | E20 F101 - H67 | |
| 16 mm | 47 Y111 | 40x40 \$30 | E20 L40 W40 H76 | 176 |
| 12 mm | 51 X114 | 52x40 \$30 | E39 F102 G70 H70 | 204 |
| 12 mm | 51 X115 | 40x30 \$30 | E36 F100 G70 H85 | 200 |
| 12 mm | 57 X116 | 32 \$34 | E28 F100 G70 H95 | |
| 12 mm | 65 U117 | 66x32 \$40 | E45 J25 K80 H | |
| 12 mm | 70 X119 | 48x40 \$49 | E36 F150 G100 H106 | 225 |
| 12 mm | 75 Y119 | 60x80 \$54 | - - - H116 | 225 |
| 12 mm | 84 Q120 | 40x48 \$52 | E38 F150 - H106 | 242 |
| 12 mm | 70 X120 | 48x40 \$50 | E35 F150 G100 H117 | 225 |
| 12 mm | 97 X121 | 48x40 \$50 | E38 F150 G100 H117 | 255 |
| 12 mm | 85 Y122 | 75x100 \$50 | E38 - - H136 | 245 |
| 20 mm | 69 Y126 | 52x52 \$65 | E26 L52 W52 H105 | |
| 20 mm | 68 Y127 | 60x60 \$65 | E30 L58 W60 H106 | 225 |
| 20 mm | 72 Y130 | 60x60 \$65 | E30 L60 W60 H116 | 232 |
| 20 mm | 75 Y133 | 35x54 \$65 | E17 L35 W54 H94 | 225 |
| 12 mm | 100 X130 | 55x45 \$60 | E50 F180 G100 H136 | 280 |
| 16 mm | 65 U144 | 0x0 \$40 | E16 K32 H106 | 225 |
| 16 mm | 65 Q148 | 46 \$46 | E35 - - H76 | |
| 16 mm | 65 Q149 | 46 \$38 | E35 C150 H86 | 250 |
| 16 mm | 65 Q150 | 46 \$40 | E35 - - H106 | 250 |

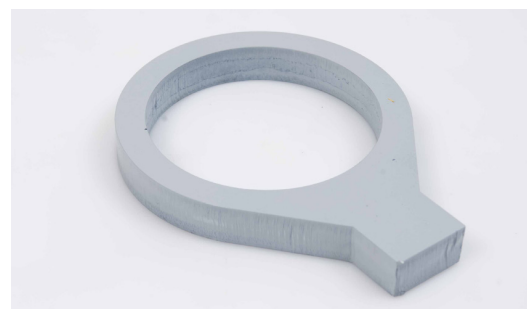
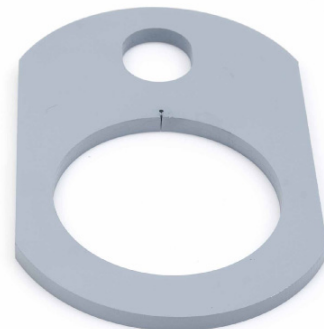
Steel Laser Cutting Sydney

Complete Profiling Services

Laser cut profiles to 12mm thick
Precision Machine

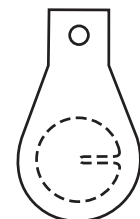
Plasma cut profiles up to 25mm thick
Clean Finish Steel Profiles
Construction Base Plates

Phone 02 9912 5100



Indexation of Grease Exits to End Plates

Plate is viewed with pin hidden, as viewed on the machine, or as by a person welding the plate.
The long end of the PLATE (or bolt hole end) at 12 o'clock, (or pointing away from person welding).
The grease exit position on the circumference is described in an o'clock position, ie, for pin at right: 3 o'clock.
Unless specified, assume grease exit is at 6 o'clock, abbrv: "clk".



Newcastle - Sydney Region - Australia

Pin Retainers - Weld-on End Plates - Pin Tags

| Plate Thickness | CODE | Price Ex GST | Pin Hole Diameter |
|-----------------|----------|--------------|-------------------------|
| 12 mm | 55 X150 | 52x40 \$52 | E20 H |
| 12 mm | 46 X151 | 52x43 \$52 | E51 F160 G125 H81 |
| 20 mm | 85 Y150 | 40x50 \$65 | E20 L40 W50 H102 254 |
| 20 mm | 75 Y154 | 35x40 \$50 | E17 L35 W40 H125 244 |
| 12 mm | 120 X160 | 55x45 \$90 | E55 F230 G120 H156 335 |
| 16 mm | 60 Y163 | 62x50 \$55 | E30 L60 W50 H71 253 |
| 20 mm | 53 Y195 | 70x48 \$96 | E35 L70 W48 H84 283x130 |
| 12 mm | 68 Y196 | 50x32 \$46 | E35 L51 W32 H66 |
| 20 mm | 69 Y199 | 60x50 \$60 | E25 L60 W50 H76 298 |
| 20 mm | 83 Y203 | 64x44 \$60 | E32 L64 W44 H109 318 |
| 20 mm | 75 Y205 | 50x50 \$60 | E25 L50 W50 H96 305 |

Steel Laser Cutting Sydney

Complete Profiling Services

Laser cut profiles to 12mm thick
Precision Machine

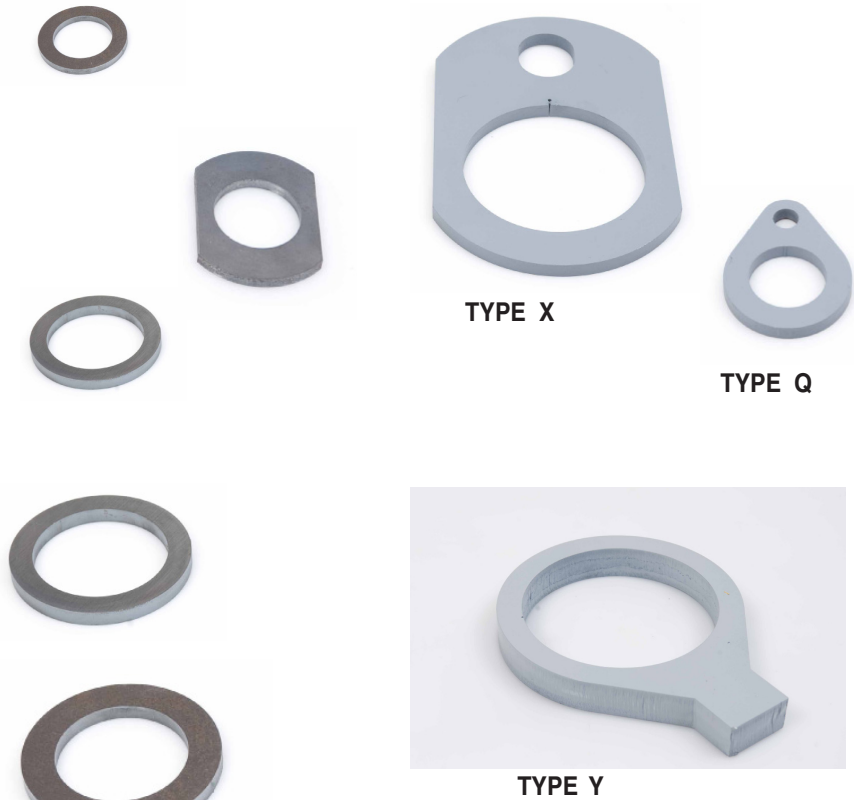
Plasma cut profiles up to 25mm thick

Clean Finish Steel Profiles
Construction Base Plates

Phone 02 9912 5100

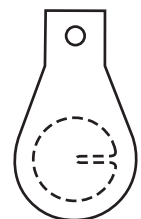
Round End Plates

| OD | ID | Width | Price Ex GST |
|-------------|--------|-------|--------------|
| 35 Ø | x H23 | x 6 | \$10 |
| 50 Ø | x H28 | x 6 | \$10 |
| 58 Ø | x H33 | x 6 | \$10 |
| | H34 | | |
| 55 Ø | x H37 | x 12 | \$10 |
| 64 Ø | x H38 | x 6 | \$10 |
| | H38.5 | | \$13 |
| 65 Ø | x H39 | x 6 | \$10 |
| 56 AF, 76 Ø | x H40 | x 6 | \$13 |
| 60 Ø | x H41 | x 8 | \$12 |
| | H42 | | |
| | H43 | | |
| 66 Ø | x H44 | x 12 | \$12 |
| 76 Ø | x H46 | x 7 | \$14 |
| 72 AF | x H48 | x 6 | \$10 |
| 72 AF | x H49 | x 10 | \$12 |
| 90 Ø | x H56 | x 6 | \$13 |
| 75 Ø | x H57 | x 12 | \$17 |
| 90 Ø | x H58 | x 12 | \$17 |
| 76 Ø | x H60 | x 11 | \$13 |
| 92 Ø | x H61 | x 8 | \$14 |
| 120 Ø | x H65 | x 10 | \$20 |
| 100 Ø | x H66 | x 12 | \$20 |
| 86 Ø | x H67 | x 12 | \$10 |
| 115 Ø | x H76 | x 12 | \$20 |
| 170 Ø | x H80 | x 20 | \$30 |
| 120 Ø | x H86 | x 12 | \$22 |
| 180 Ø | x H90 | x 20 | \$30 |
| 130 Ø | x H96 | x 12 | \$25 |
| 145 Ø | H106 | | |
| 155 Ø | x H116 | x 12 | \$25 |



Indexation of Grease Exits to End Plates

Plate is viewed with pin hidden, as viewed on the machine, or as by a person welding the plate.
The long end of the PLATE (or bolt hole end) at 12 o'clock, (or pointing away from person welding).
The grease exit position on the circumference is described in an o'clock position, ie, for pin at right: 3 o'clock.
Unless specified, assume grease exit is at 6 o'clock, abbrv: "clk".



Newcastle - Sydney Region - Australia

Economy Shim Kits - Stainless Steel Shim Kits

| PART No. | PRICE Ex GST | | OUTSIDE | INSIDE | THICKNESS | NOTES |
|--------------|-----------------|-------------|---------|-----------|-----------------------|-------------------|
| SM26 | \$ 26 | | 50 mm | 26.0 mm | 1mm, 2mm, 3mm | 2 of each per Kit |
| SM31 | \$ 27 | | 55 mm | 31.0 mm | 1mm, 2mm, 3mm | 2 of each per Kit |
| SSM31 | \$ 27 | Stainless | 60 mm | 31.0 mm | 1mm, 2mm, 3mm | 2 of each per Kit |
| SM33 | \$ 22 | | 63 mm | 33.0 mm | 1mm, 2mm, 3mm | 2 of each per Kit |
| SSM33 | \$ 25 | Stainless | 63 mm | 33.0 mm | 1mm, 2mm, 3mm | 2 of each per Kit |
| SM36 | \$ 22 | | 70 mm | 36.0 mm | 1mm, 2mm, 3mm | 2 of each per Kit |
| SM37 | \$ 20 | | 63 mm | 37.5 mm | 3mm | 10 per Pack |
| SM40.5 | \$16/pr | | 80 mm | 40.5 mm | 6mm | 2 per pack |
| SM41 | \$ 25 | | 74 mm | 41.0 mm | 1mm, 2mm, 3mm | 2 of each per Kit |
| SSM41 | \$ 27 | Stainless | 76 mm | 41.0 mm | 1mm, 2mm, 3mm | 2 of each per Kit |
| SM44 | \$ 20 | | 70 mm | 44.5 mm | 3mm | 10 per Pack |
| SM45 | \$ 22 | | 70 mm | 45.2 mm | 2mm | 10 per Pack |
| SM46 | \$ 29 | | 80 mm | 46.0 mm | 1mm, 2mm, 3mm | 2 of each per Kit |
| SSM46 | \$ 30 | Stainless | 80 mm | 46.0 mm | 1mm, 2mm, 3mm | 2 of each per Kit |
| SM51 | \$ 35 | | 96 mm | 51.2 mm | 1mm, 2mm, 3mm | 2 of each per Kit |
| SSM51 | \$ 36 | Stainless | 96 mm | 51.2 mm | 1mm, 2mm, 3mm | 2 of each per Kit |
| SM52 | \$ 36 | | 127 mm | 51.0 mm | 1mm, 2mm, 3mm | 2 of each per Kit |
| SM56 | \$ 32 | | 95 mm | 56.0 mm | 1mm, 2mm, 3mm | 2 of each per Kit |
| SM61 | \$ 34 | | 100 mm | 61.0 mm | 1mm, 2mm, 3mm | 2 of each per Kit |
| SSM61 | \$ 36 | Stainless | 100 mm | 61.0 mm | 1mm, 2mm, 3mm | 2 of each per Kit |
| SD64 | \$ 38 | | 101 mm | 63.5 mm | 10mm Single T79849 | Thrust Washer |
| SD65 | \$ 34 | | 114 mm | 65.0 mm | 5mm Single T67205 | Thrust Washer |
| SM66 | \$ 37 | | 115 mm | 66.0 mm | 1mm, 2mm, 3mm | 2 of each per Kit |
| SSM66 | \$ 39 | Stainless | 115 mm | 66.0 mm | 1mm, 2mm, 3mm | 2 of each per Kit |
| SD66.3 | \$ 32 | | 127 mm | 66.3 mm | 5mm Single 9J2323 | Steel Washer |
| SM71 | \$ 38 | | 120 mm | 71.0 mm | 1mm, 2mm, 3mm | 2 of each per Kit |
| SSM71 | \$ 40 | Stainless | 120 mm | 71.0 mm | 1mm, 2mm, 3mm | 2 of each per Kit |
| SM77 | \$ 39 | | 127 mm | 77.0 mm | 1mm, 2mm, 3mm | 2 of each per Kit |
| SM81 | \$ 42 | | 130 mm | 81.0 mm | 1mm, 2mm, 3mm | 2 of each per Kit |
| SSM81 | \$ 48 | Stainless | 130 mm | 81.0 mm | 1mm, 2mm, 3mm | 2 of each per Kit |
| SD83 | \$ 58 | Bronze | 152 mm | 82.6 mm | 5mm Single 7J3663 | Bronze Washer |
| SM86 | \$ 47 | | 138 mm | 86.0 mm | 1mm, 2mm, 3mm | 2 of each per Kit |
| SSM86 | \$ 58 | Stainless | 138 mm | 86.0 mm | 1mm, 2mm, 3mm | 2 of each per Kit |
| SM91 | \$ 47 | | 145 mm | 91.0 mm | 1mm, 2mm, 3mm | 2 of each per Kit |
| SM96 | \$ 48 | | 150 mm | 96.0 mm | 1mm, 2mm, 3mm | 2 of each per Kit |
| SD101.5 | \$ 130 | Hardened | 196 mm | 101.57 mm | 8mm Single 4J5690 | Grooved, Ground |
| SD101.6 | \$ 78 | Bronze | 173 mm | 101.6 mm | 6.35mm Single 4J5692 | Bronze Washer |
| SP188-102-16 | \$ 435 | Phos Bronze | 188 mm | 102 mm | 16mm Stepped Juganaut | 0505 10027 |
| SD101.6 | \$ 128 | Bronze | 197 mm | 101.65 mm | 6.35mm Single 4J5691 | Grooved Bronze |
| SD101.7 | \$ 90 | Hardened | 196 mm | 101.7 mm | 8mm Single 4J5689 | Precision Ground |
| SM102 | \$ 53 | | 155 mm | 102.0 mm | 1mm, 2mm, 3mm | 2 of each per Kit |
| SM106 | \$ 58 | | 160 mm | 106.0 mm | 1mm, 2mm, 3mm | 2 of each per Kit |
| SM111 | \$ 58 | | 165 mm | 111.0 mm | 1mm, 2mm, 3mm | 2 of each per Kit |
| SSM111 | \$ 68 | Stainless | 170 mm | 111.0 mm | 1mm, 2mm, 3mm | 2 of each per Kit |
| SM116 | \$ 60 | | 175 mm | 116.0 mm | 1mm, 2mm, 3mm | 2 of each per Kit |
| SM121 | \$ 65 | | 185 mm | 121.0 mm | 1mm, 2mm, 3mm | 2 of each per Kit |
| SM126 | \$ 80 | | 192 mm | 126.0 mm | 1mm, 2mm, 3mm | 2 of each per Kit |
| SM131 | \$ 86 | | 210 mm | 131.0 mm | 1mm, 2mm, 3mm | 2 of each per Kit |
| SSM131 | \$ 96 | Stainless | 210 mm | 131.0 mm | 1mm, 2mm, 3mm | 2 of each per Kit |
| SM141 | \$ 94 | | 220 mm | 141.0 mm | 1mm, 2mm, 3mm | 2 of each per Kit |
| SM151 | \$100 | | 240 mm | 151.0 mm | 1mm, 2mm, 3mm | 2 of each per Kit |
| SM161 | \$118 | | 250 mm | 161.0 mm | 1mm, 2mm, 3mm | 2 of each per Kit |

Shims Australian Made

Bucket, Arm and Cylinder Joints
of excavators and wheel loaders
Heavy Load Joints. Boom Foot
Komatsu excavator shim
Caterpillar wheel loader shims
Kobelco excavator shims



Shim Engineered Application

Moving joints earthmoving equipment
Australian Shim manufacturer
Boom Cylinder Ram Eye
Excavator Pivot Points
WA Loader Shims
Hitachi excavator shim
Earthmoving Shims Mackay
Perth Machinery Shims
Tree Harvester Attachment
Log Grapple Shim
Australia Grabs and Grapples
Rotator Pins and Bushes and Shims
Forestry Attachment Shim
NZ Industrial Shim
NZ Forestry Attachment Shim
Bucket Pin Shim
Forest Harvesting Attachment
Tasmania Industrial Supplies
Port Hedland Bearing & Shim
Australian made shims
All Shims Earthmoving overnight Australia

Brisbane Buckets Shims
Gambier Shims Next day delivery
Darwin Bushes & Shim
Mount Isa Shim supplies
Adelaide Industrial Shim & Bearing
Excavator Shims Melbourne Overnight
Komatsu Loader Shims WA
Airbag Shim deliveries Australia -wide

**Wholesale Prices
shown for \$170
Minimum order**

**Retail: POA
\$120 Min order**

Plus freight & GST. All prices
subject to change without notice