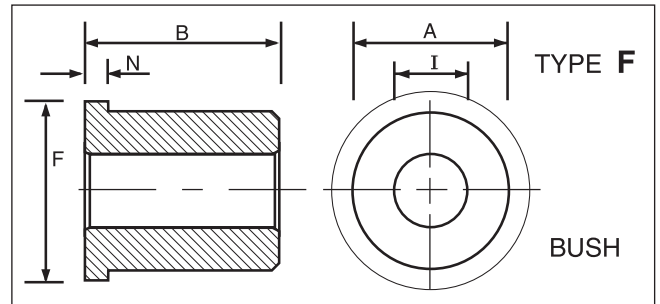
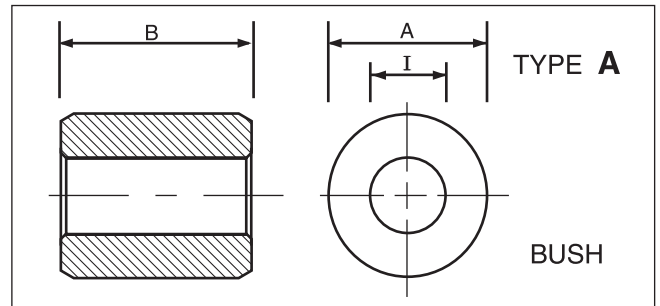


CONFIGURATION INDEX

TYPE	DESCRIPTION
A	= PLAIN BUSH
E	= CENTRAL EXT. GROOVE WITH HOLES
F	= FLANGED BUSH
I	= CENTRAL EXT. & INT. GROOVE, HOLES
J	= CENTRAL EXT.& "FIGURE 8" INT.GROOVE,HOLES
N	= SPACER, LENGTH CRITICAL
R	= BUSH, RECESSED FOR SEAL
U	= INTERNAL CENTRE GROOVE, NO HOLES
W	= THRUST WASHER
X	= "FIGURE 8" INT. GROOVE, NO HOLES
Y	= INT. TAPER & SPLIT EXPANDING BUSH



DIMENSION INDEX

SYMBOL	DIMENSION
A	= MAJOR DIAMETER
B	= LENGTH
C	= END TO HOLE / GROOVE
D	= DIAMETER OF HOLE
E	= LENGTH BETWEEN HOLES / GROOVES
F	= FLANGE / HEAD DIAMETER
G	= END TO GREASE EXIT
H	= DIAMETER OF END HOLE / RECESS
I	= INSIDE DIAMETER
J	= DIAMETER OF GROOVE
K	= LENGTH OF POINT / TAPER
L	= END TO UNDER HEAD / FLANGE
M	= WIDTH OF GROOVE
N	= WIDTH OF FLANGE / HEAD
S	= LENGTH OF CHAMFER
W	= LENGTH OF STEP
Y	= MINOR DIAMETER

