

WELLMASTER

DRIVE SHOES

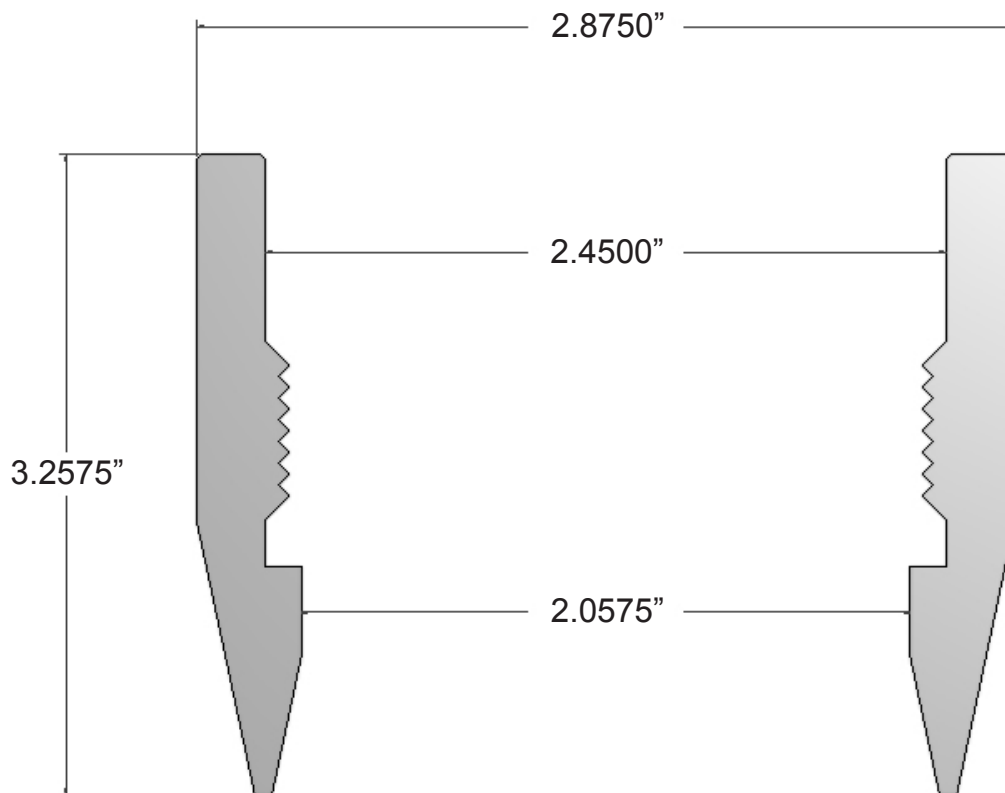
Part Number:

M5000210

Description:

DRIVE SHOE

2" ROTARY END, 11.5 V. THREAD 2.875" O.D.



WELLMASTER Pipe & Supply Inc.

1494 Bell Mill Road, P.O. Box 456, Tillsonburg, Ontario, Canada, N4G 4J1

Phone: (519) 688-0500

Fax: (519) 688-0563

Email: wells@wellmaster.ca

P.O. Box 2663, Buffalo, New York, U.S.A., 14240-2663



1-800-387-9355

www.wellmaster.ca

