

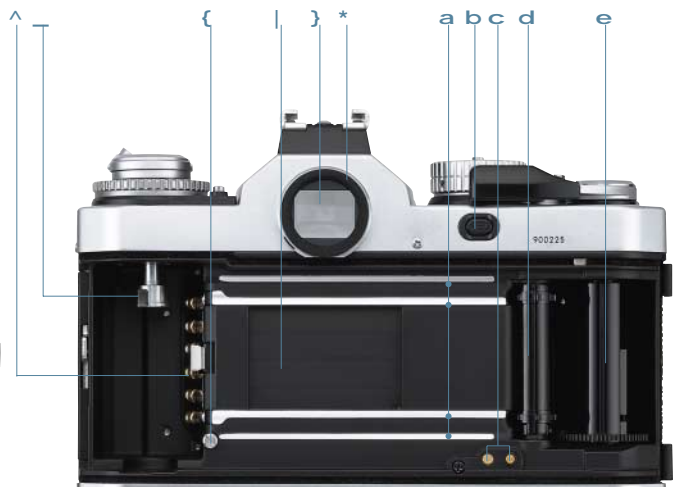
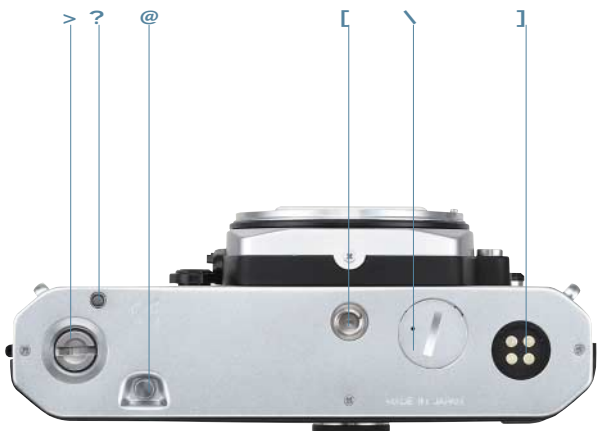
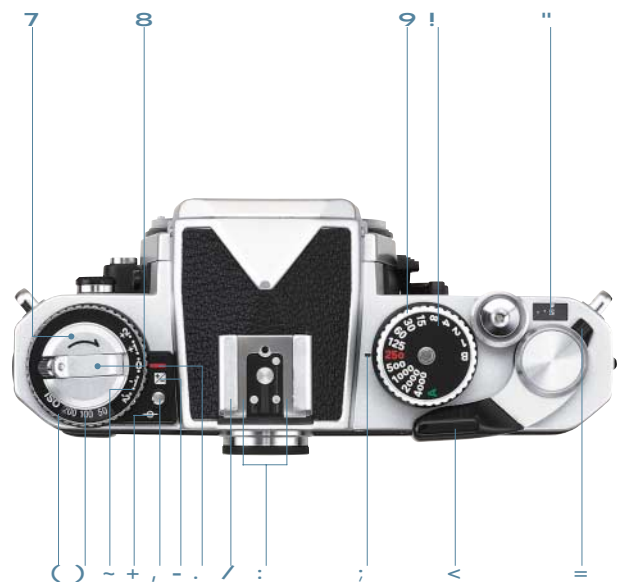
FM3A

Crafted for your command

- Aperture-Priority Auto exposure control possible with Ai-type Nikkor and AF Nikkor lenses
- Hybrid shutter speed control system — When shutter speed is selected manually, the FM3A works without batteries at all speeds*
- Top shutter speed of 1/4000 sec. and peak flash sync speed of 1/250 sec.
- Exposure compensation (-2 to +2 EV)
- Standard TTL flash control possible
- TTL flash-compensation button for balanced fill-flash effect
- Compatible with DX-coded film cartridges
- Three bright clear matte interchangeable focusing screens allow pinpoint-focus, even in dim light
- Sequential shooting of up to 3.2 frames per second (fps) with Motor Drive MD-12

*You can release the shutter without batteries, but the camera's built-in exposure meter will not operate.





- 1 Neckstrap eyelet
- 2 Shutter-release button
- 3 Depth-of-field preview lever
- 4 Auto-lock release button
- 5 Meter-coupling lever
- 6 Sync-cord terminal
- # Self-timer lever
- \$ Lens mounting index
- % TTL flash-compensation button

- & Lens-release button
- (Film-speed setting ring
-) Film-speed index
- ~ Exposure-compensation indicator
- + Film-plane indicator
- , Exposure-compensation lock release button
- Exposure-compensation mark
- . Exposure-compensation index
- / Accessory shoe
- : Speedlight sync contact
- ; Shutter-speed index
- < Film-advance lever
- = Multiple-exposure lever

- > Motor-drive coupling
- ? Motor-drive shutter coupling
- @ Film-rewind button
- [Socket for tripod/motor drive
- \ Battery chamber lid
-] Motor-drive sync contacts
- ^ DX contact
- _ Rewind fork
- { Film guide pin
- | Shutter curtains
- } Viewfinder
- * Eyepiece
- a Film guide rails
- b AE-lock button

- c Data Back contacts
- d Film sprockets
- e Film-takeup spool

Type of camera	35mm single-lens reflex with electronically and mechanically controlled focal-plane shutter
Applicable film	35mm film in a cartridge
Frame size	24 x 36mm
Lens mount	Nikon F mount
Shutter	Vertical-travel, metal focal-plane shutter
Shutter-speed settings	A (aperture-priority auto): 8 to 1/4000 sec., electronic stepless control (indications are 1 to 1/4000) Manual: Bulb, 1 to 1/4000 sec., mechanical control
Viewfinder	Eye-level pentaprism
Eyepoint	14mm (at -1.0m ⁻¹)
Focusing screen	K3 type (splitprism-image microprism type, Clear Matte Screen II) standard, B3 type and E3 type optional
Viewfinder frame coverage	Approx. 93% (objective screen)
Viewfinder magnification	Approx. 0.80 x with 50mm lens set to infinity
Viewfinder information	Shutter speed, exposure meter indication, shutter indication, direct aperture value, exposure compensation mark, ready light
Reflex mirror	Quick-return type
Exposure meter sync	AI type (automatic compensation at full-aperture f-stop)
Metering system	TTL centre-weighted, full-aperture exposure metering system, approx. 60% of the meter's sensitivity concentrated on a 12mm diameter circle
Metering range	EV 1 to EV 20 at ISO100 (with a 50mm f/1.4 lens)
Film-sensitivity settings	DX system or manual. With DX: ISO 25 to 5000 Manual: ISO 12 to 6400
Exposure compensation	Exposure compensated to ±2 EV in units of 1/3 EV (compensation to the + side not possible with ISO 12, and that to the - side not possible with ISO 6400)
Auto Exposure Lock	Enabled by pressing the AE lock button
Film advance	Lever provided, 30-degree standoff angle and 135-degree winding angle, automatic film advance enabled with MD-12 Motor Drive (sold separately)
Frame counter	Additive type (S, 1 to 36), automatic reset
Film rewinding	Film reset button and rewind crank provided
Self-timer	Mechanically controlled, countdown time of approx. 4 to 10 seconds, cancellation possible
Lens aperture	Instant-return system, with aperture lever
Multiple exposure	Activated with multiple exposure lever
Sync contact	X-contact only; synchronised with the flash at a low speed of less than 1/250 sec.
Flash control	TTL flash: Enabled by using SB-28, SB-50DX, etc. in combination TTL flash compensation: Compensation to -1 EV activated with the TTL flash compensation button on the camera Film speed synchronisation in TTL flash: ISO 12 to 1000

Sync terminal	JIS sync terminal provided as standard, with lock screws
Accessory shoe	Hot-shoe contact (sync contact, ready-light contact, monitor contact, stop-signal contact for TTL flash) with a lock hole to prevent accidental dropping
Ready light	Lights when the flash is fully charged with SB-28, SB-50DX, etc.; blinks for full-output warning or shutter-speed settings from 1/500 to 1/4000 sec.
Camera back	Detachable hinged back; MF-16 Data Back can be attached in place
Camera-back opening	Achieved with the film-rewind lever
Power source	One 3V lithium battery (CR-1/3N type), two 1.55V silver-oxide batteries (SR44 type), or two 1.5V alkaline batteries (LR44 type)
Meter-on timer	To turn the camera on when the shutter-release button is pressed lightly, turning it off 16 seconds after your finger leaves the button. With the MD-12 Motor Drive, the camera is turned on when the shutter release button of the MD-12 is pressed lightly, and it turns off approx. 66 seconds after your finger leaves the button
Battery power check	Displayed for 16 seconds with the meter-on timer. The exposure meter does not work if the batteries are exhausted
Number of film rolls that can be shot	When repeating the procedure of holding the shutter-release button in the lightly pressed position for 10 seconds, pressing it all the way, and waiting until the timer activates, with 36-frame film rolls, a shutter speed of 1/250 second in Aperture-Priority Auto mode:

	At normal temperature (20°C/68°F)	At low temperature (-10°C/14°F)
One 3V lithium battery	approx. 110 rolls	approx. 60 rolls
Two 1.55V silver-oxide batteries	approx. 120 rolls	approx. 65 rolls
Two 1.5V alkaline batteries	approx. 50 rolls	approx. 10 rolls

Optional exclusive or common accessories	MD-12 Motor Drive SB-28 Speedlight and equivalents MF-16 Data Back CF-27S/CF-28S/CF-29S Camera Case AR-3 Cable Release etc.
Tripod socket	1/4 (ISO 1222)
Dimensions (W x H x D)	Approx. 142.5 x 90 x 58 mm or 5.6 x 3.5 x 2.3 in. (camera body only)
Weight	Approx. 570 g or 20.1 oz. (camera body only, including battery)

All specifications apply when fresh batteries are used at normal temperature (20°C/68°F). Specifications and designs are subject to change without any notice or obligation on the part of the manufacturer.
© 2001 Nikon Corporation