
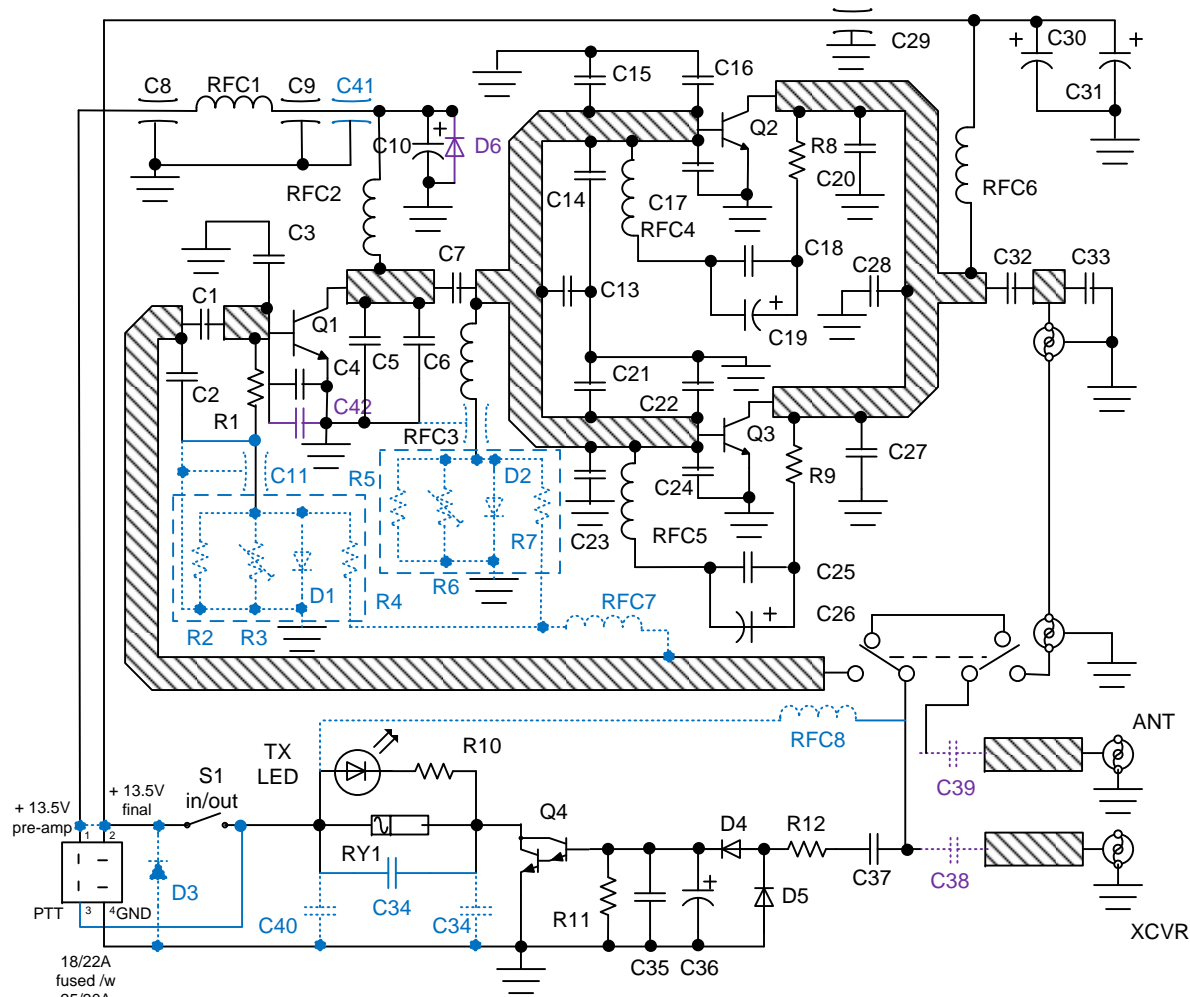
 Added in mod
 Deleted in mod

Parts list amplifier

R1, 8, 9	15 Ohm	1 Watt
C42	15pF	DM15
C33	33pF	Unelco
C2	47pF	Unelco
C3, 4, 16, 17, 22, 20, 24, C13, 14, 15, 21, 22	68pF	Unelco
C5	100pF	Unelco
27, 28	200pF	Unelco
C8, 9, 29, 41	470pF	Feed Thru
C1, 7, 32	750pF	DM15
C18, 25	.001uF	disc
C10, 19, 26, 30	1uF	35V elco
RFC3, 4, 5	0.15uH	Delevan
RFC1, 2, 6	5T #16	¼ Dia
D6	1N4148	
Q1	2N6084	Motorola
Q2, 3	MRF245	Motorola

Parts list Rx/Tx switch

R10	560 Ohm	½ Watt
R12	1 kOhm	¼ Watt
R11	22 kOhm	¼ Watt
C37	5pF	disc
C38, 39	750pF	Unelco
C34, 35	0.001uF	disc
C36	25uF	25V elco
D4, D5	1N4148	
Q4	MPSA13	
RY1	DPDT 12V 5A	Teledyne T-DG-12C
Connector	4 pole male	Chinch Jones



18/22A
fused /w
25/30A

- Added in mod
- Deleted in mod
- Not in L version
- Only in L version

Parts list amplifier

R2, 5	3 Ohm	¼ Watt
R3, 6	100 Ohm	Pot
R1, 8, 9	15 Ohm	1 Watt
R4, 7	50 Ohm	5 Watt
C42	15pF	DM15
C33	33pF	Underwood
C2	47pF	Underwood
C3, 4, 16, 17, 22, 20, 24, C13, 14, 15, 21, 22	68pF	Underwood
C5	100pF	Underwood
27, 28	200pF	Underwood
C8, 9, 11, 29, 41	470pF	Feed Thru
C1, 7, 32	750pF	DM15
C18, 25	.001uF	disc
C10, 19, 26, 30	1uF	35V elco
RFC3, 4, 5, 7	0.15uH	Delevan
RFC1, 2, 6	5T #16	¼ Dia
D1, 2, 3	1N4003	
D6	1N4148	
Q1	2N6084	Motorola
Q2, 3	MRF245	Motorola

Parts list Rx/Tx switch

R10	560 Ohm	½ Watt
R12	1 kOhm (L: 560 Ohm)	¼ Watt
R11	22 kOhm	¼ Watt
C37	5pF	disc
C38, 39	750pF	Underwood
C34, 35, 40	0.001uF	disc
C36	25uF	25V elco
RFC8	4.7uH	Delvan
D4, D5	1N4148 or 1N914	
Q4	MPSA13	
RY1	DPDT 12V	Relay Gardian #1355 or #135