

# SNC-CH120

Network HD Camera — E Series

**SONY**  
make.believe

## High-Quality 720p HD Security Camera

- Excellent 720p HD picture quality, supporting H.264 at 30 fps
- 1.3 Megapixel (1280 x 1024) maximum resolution
- Three codecs (H.264, MPEG-4, JPEG) and a dual streaming capability
- The Exmor™ CMOS sensor incorporated to deliver high image quality and low noise



**HD** **1.3M**  
MEGAPIXEL

### Key Features

- Easy Focus function for easy installation.
- Optical Day/Night function to switch to Day or Night mode depending on the light level.
- Recording software (RealShot Manager Lite) is bundled to start recording and monitoring instantly.
- Stream Squared function allows simultaneous streaming of two 4:3 aspect ratio videos in user selectable SD resolutions. User can select the entire image or a portion of the image from the original field of view and resize to SD resolution or lower for each stream. With this feature, the SNC-CH120 can replace two SD cameras installed in the same line of view.

Example



(Simulated Images)

Dual Streaming



1st Streaming  
VGA video of a whole



2nd Streaming  
VGA video of a cropped area

- DEPA™ Intelligent Video Analytics system can be set up with a DEPA-enabled recorder.



- Analog monitor output (phono jack).
- Powered by PoE (Power over Ethernet) for simple installation.
- ONVIF™ (Open Network Video Interface Forum) software that ensures greater interoperability and more flexibility in building multiple-vendor systems.



**IPELA™**

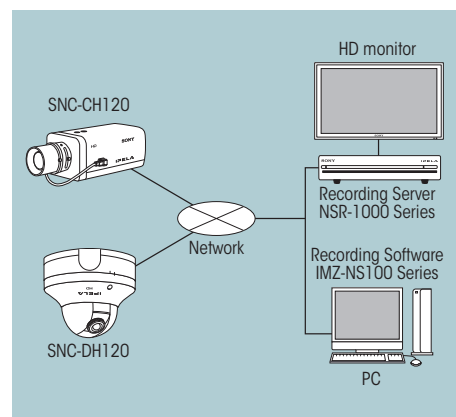
## SPECIFICATIONS

SNC-CH120	
<b>Camera</b>	
Image device	1/3 type progressive scan Exmor CMOS sensor
Minimum illumination	Color: 0.50lx, BW: 0.30lx (F1.2/AGC 42dB / 50IRE [IP])
Number of effective pixels (H x V)	1.4 Megapixel (1329 x 1049)
Electronic shutter speed	1s to 1/10000s
Gain control	Auto
Exposure control	Auto, EV Compensation, Auto Slow Shutter
White balance mode	Auto (ATW, ATW-PRO), Preset, One-push WB, Manual
Lens type	Vari-focal lens
Zoom ratio	Optical 2.9X
Horizontal viewing angle	96.5 to 33.9 degrees
Focal length	f=2.8 mm to 8 mm
F-number	F1.2 (Wide), F1.9 (Tele)
Minimum object distance	300 mm
Powered Focus	Yes (Easy Focus)
<b>Camera Features</b>	
Day/Night *1	Yes
Noise reduction	Yes
<b>Image</b>	
Codec image size (H x V)	1280 x 1024, 1280 x 960, 1280 x 800, 1280 x 720, 1024 x 768, 1024 x 576, 800 x 480, 768 x 576, 720 x 576, 720 x 480, 704 x 576, 640 x 480, 640 x 368, 384 x 288, 320 x 240, 320 x 192 (H.264, MPEG-4, JPEG)
Video compression format	H.264, MPEG-4, JPEG
Codec streaming capability	Dual streaming
Maximum frame rate	H.264: 20fps (1280 x 1024) / 30 fps (1280 x 720) MPEG-4: 25fps (1280 x 1024) / 30 fps (1280 x 720) JPEG: 30fps (1280 x 1024) / 30 fps (1280 x 720)
<b>Scene Analytics</b>	
Intelligent motion detection	Yes
<b>Network</b>	
Protocols	IPv4, IPv6, TCP, UDP, ARP, ICMP, IGMP, HTTP, HTTPS, FTP (client only), SMTP, DHCP, DNS, NTP, RTP/RTCP, RTSP, SNMP (MIB-2)
ONVIF software	Yes
Number of clients	5
Authentication	IEEE802.1X
<b>Analog Video Output</b>	
Signal system	NTSC / PAL
<b>Interface</b>	
Ethernet	10BASE-T / 100BASE-TX (RJ-45)
Analog monitor output	Phono jack x 1 (1.0 Vp-p, 75 ohms, unbalanced, sync negative)
Sensor input	x 1, make contact, break contact
Alarm output	x 1, 24V AC/DC, 1A (mechanical relay outputs electrically isolated from the camera)
<b>General</b>	
Weight	1 lb 3 oz (550 g) with lens
Dimensions	2 7/8 inches x 2 1/2 inches x 5 3/4 inches (72 mm x 63 mm x 145 mm) not including the projecting parts 2 7/8 inches x 2 1/2 inches x 7 7/8 inches (72 mm x 63 mm x 197 mm) with lens not including the projecting parts
Power requirements	PoE (IEEE802.3af compliant)
Power consumption	5.0 W max.
Starting temperature	32°F to 122°F (0°C to 50°C)
Working temperature	14°F to 122°F (-10°C to +50°C)
Storage temperature	-4°F to +140°F (-20°C to +60°C)
Safety regulation	UL2044, FCC 15B Class A, IC Class A, IEC60950-1, EN55022(A)+EN55024+EN50130-4, VCCI Class A, C-Tick Class A
<b>System Requirements</b>	
Operating system	Microsoft Windows XP™, Windows Vista™ (32bit), Windows® 7 (32bit)
Processor	Intel Core2 Duo 2 GHz or higher
Memory	1 GB or more
Web browser	Microsoft Internet Explorer® Ver. 6.0, Ver. 7.0, Ver. 8.0 Firefox® Ver. 3.5 (Plug-in free viewer only) Safari® Ver. 4.0 (Plug-in free viewer only) Google® Chrome Ver. 4.0 (Plug-in free viewer only)
<b>Supplied Accessories</b>	
	CD-ROM (Users Guides, and supplied programs) (1) Wire rope (1) Screw M4 (1) Installation Manual (1)

\*1 Removable IR Cut Filter.

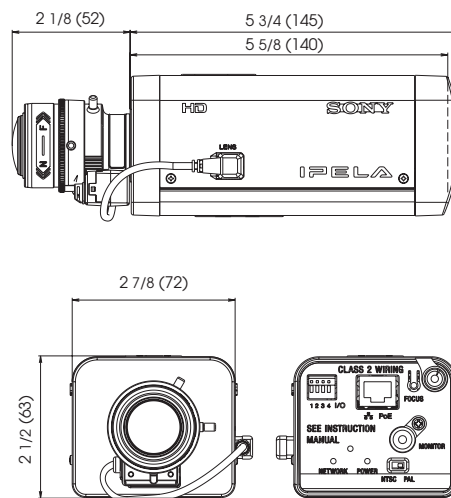
\*The SNC-CH120 includes software developed by the OpenSSL Project for use in the OpenSSL Toolkit (<http://www.openssl.org>).

## SYSTEM CONFIGURATION



## DIMENSIONS

Unit: inches (mm)



© 2010 Sony Electronics Inc. All rights reserved.  
 Reproduction in whole or in part without written permission is prohibited.  
 Features and specifications are subject to change without notice.  
 Weights and measurements are approximate.  
 Sony, 'make.believe', IPELA, DEPA, Exmor and their respective logos are trademarks of Sony.  
 Core is a trademark of Intel Corporation.  
 All other trademarks are the property of their respective owners