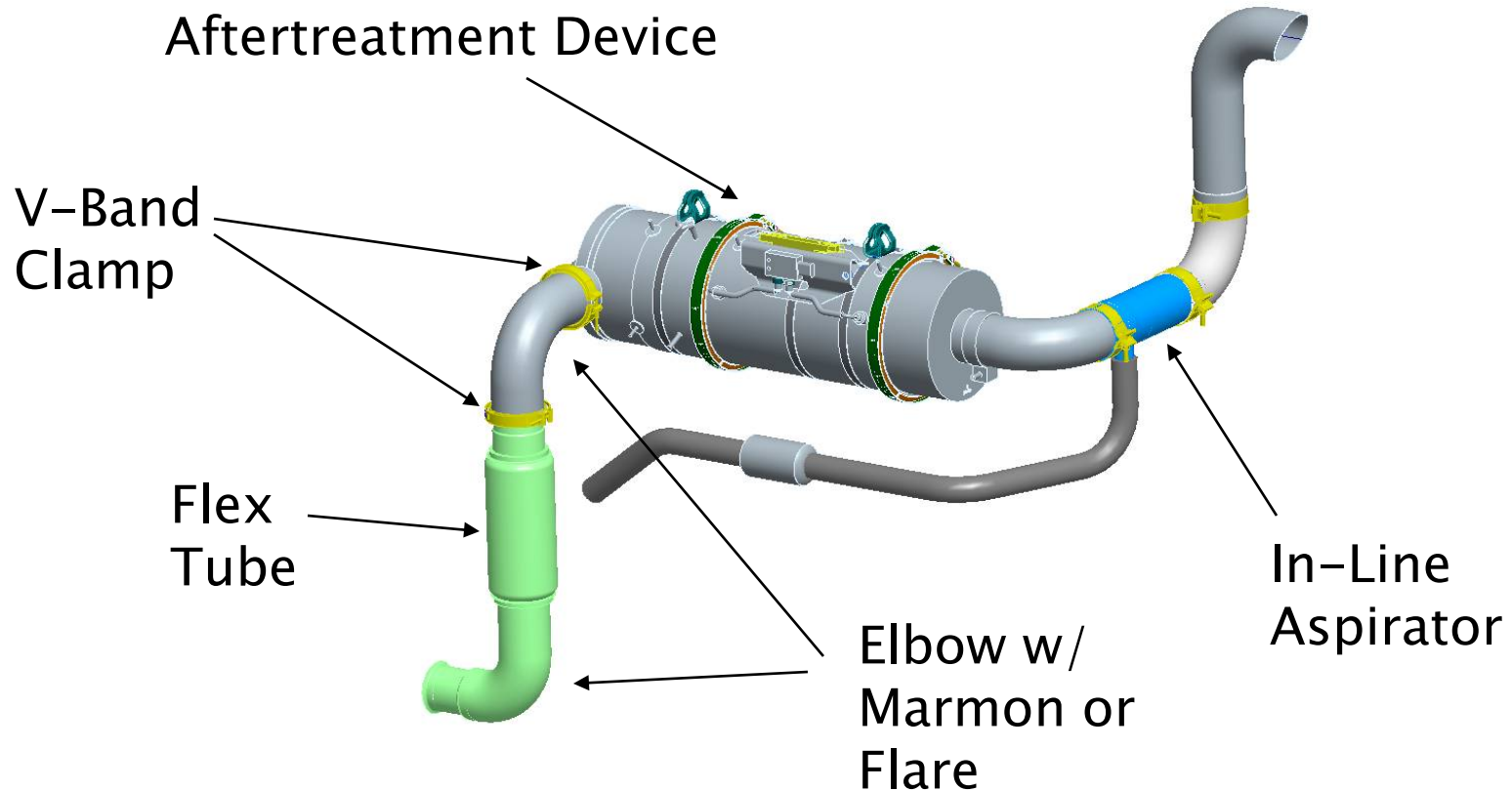




Thermal Management Tubing (TMT) Catalog

“Turbo to Tailpipe” Complete Integrated System Solution



Standard Catalog

1. Marmon Adaptor
2. Weld and Clamp Connectors
3. Expanders
4. High Performance Flex
5. Elbows
6. SS Straight Tubing
7. Insulation
8. Diffuser
9. In-line Pre-Cleaner Aspirator



Marmon Adaptors

- ▶ Flared Adapters
 - ✓ 3.5" to 5.0" OD
Stainless Steel
 - ✓ ID Sized for Welding to
Elbows or Straight Tubes
- ▶ Full Marmon Adapters
 - ✓ 3.5" to 5.0" OD
Stainless Steel
 - ✓ ID Sized for Welding to
Elbows or Straight Tubes
- ▶ V-Band Clamps & Gaskets
 - ✓ 3.5" to 5.0" OD



P/N	Description	Size (Inches)
900503A	Flared Adapter (Marmon) - ID Weld Fit	3.50
900504A	Flared Adapter (Marmon) - ID Weld Fit	4.00
900505A	Flared Adapter (Marmon) - ID Weld Fit	5.00

P/N	Description	Size (Inches)
900509A	Full Marmon Adapter - ID Weld Fit	3.50
900510A	Full Marmon Adapter - ID Weld Fit	4.00
900511A	Full Marmon Adapter - ID Weld Fit	5.00

P/N	Description	Size (Inches)
89501K	V-Band Clamps (Marmon)	3.50
A029T534	V-Band Clamps (Marmon)	4.00
A029T535	V-Band Clamps (Marmon)	5.00
Q312541	Gasket	3.50
Q312526	Gasket	4.00
Q312516	Gasket	5.00

Note: Purchaser is responsible for all application, endurance and verification testing prior to production release.



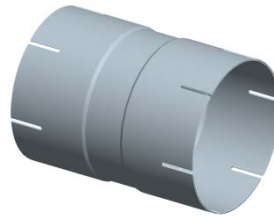
Weld & Clamp Connectors

- ▶ Weld Connectors
 - ✓ 3.5" to 5.0" OD Stainless Steel
 - ✓ ID Sized for Welding to Elbows or Straight Tubes



P/N	Description	Size (Inches)
900515A	Weld Connector - ID-ID Fit	3.50
900516A	Weld Connector - ID-ID Fit	4.00
900517A	Weld Connector - ID-ID Fit	5.00

- ▶ Clamp Connectors
 - ✓ 3.5" to 5.0" OD Stainless Steel
 - ✓ ID-ID Sized for Post Aftertreatment



P/N	Description	Size (Inches)
900563A	Straight Connector ID-ID Clamp Fit	3.50
900564A	Straight Connector ID-ID Clamp Fit	4.00
900565A	Straight Connector ID-ID Clamp Fit	5.00

Note: Purchaser is responsible for all application, endurance and verification testing prior to production release.



Expanders

- ▶ Expanders with Clamp Connections
 - ✓ 3.5" to 4.0" Stainless Steel
 - ✓ 4.0" to 5.0" Stainless Steel
 - ✓ Flare-Flare & Flare-Marmon Adapters for V-Band Clamps
 - ✓ ID Slotted for Post Aftertreatment



P/N	Description	Size (Inches)
900542A	Expander 3.5" to 4.0" ID-ID Clamp Fit	3.50-4.00
900543A	Expander 4.0" to 5.0" ID-ID Clamp Fit	4.00-5.00
900544A	Expander 3.5" to 4.0" Flare-Marmon Fit	3.50-4.00
900545A	Expander 4.0" to 5.0" Flare-Marmon Fit	4.00-5.00
900546A	Expander 3.5" to 4.0" Flare-Flare Fit	3.50-4.00
900547A	Expander 4.0" to 5.0" Flare-Flare Fit	4.00-5.00

Note: Purchaser is responsible for all application, endurance and verification testing prior to production release.



High Performance Flex Tubes



- ▶ Flex Tube Assemblies
 - ✓ 3.5" to 5.0" OD Stainless Steel
 - ✓ Leak proof Corrugated Flex Section
 - ✓ External Braid for Long Life
 - ✓ Flared & Marmon Adapters Connections
 - ✓ Internal Liner Option for Heat Retention Available

P/N	Description	Size (Inches)
900521A	High Performance Flex	3.50
900522A	High Performance Flex	4.00
900523A	High Performance Flex	5.00
900570A	High Performance Flex- w Heat Retention Liner	3.50
900571A	High Performance Flex- w Heat Retention Liner	4.00
900572A	High Performance Flex- w Heat Retention Liner	5.00

Note: Purchaser is responsible for all application, endurance and verification testing prior to production release. Above flex tubes are not intended for applications requiring rotational displacement. These applications require a special-designed flex tube.



Elbows

- ▶ 90° Elbows
 - ✓ 3.5" to 5.0" OD
 - ✓ Stainless Steel
 - ✓ OD-OD Sized for Use with ID Connectors, Flare-Flare & Flare-Marmon Connectors for Clamping, OD-ID for Post A/T
 - ✓ Small Radius Bends for Compact Installations

- ▶ 45° Elbows
 - ✓ 3.5" to 5.0" OD
 - ✓ Stainless Steel
 - ✓ OD-OD Sized for Use with ID Connectors
 - ✓ Small Radius Bends for Compact Installations



P/N	Description	Size (Inches)
900527A	90 Elbow OD-OD	3.50
900528A	90 Elbow OD-OD	4.00
900529A	90 Elbow OD-OD	5.00
900551A	90 Elbow Flare-Flare	3.50
900552A	90 Elbow Flare-Flare	4.00
900553A	90 Elbow Flare-Flare	5.00
900557A	90 Elbow Flare-Marmon	3.50
900558A	90 Elbow Flare-Marmon	4.00
900559A	90 Elbow Flare-Marmon	5.00
900573A	90 Elbow OD-ID	3.50
900574A	90 Elbow OD-ID	4.00
900575A	90 Elbow OD-ID	5.00
900533A	45 Elbow OD-OD	3.50
900534A	45 Elbow OD-OD	4.00
900535A	45 Elbow OD-OD	5.00

Note: Purchaser is responsible for all application, endurance and verification testing prior to production release.



Straight Tubing

- ▶ Straight Tubing
 - ✓ 3.5" to 5.0" OD
 - ✓ 409 / 439 Stainless Steel
 - ✓ Length - 5 ft.
 - ✓ Drawing Quality for Bending Capability

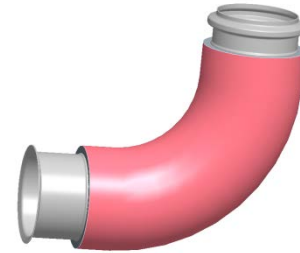
P/N	Description	Size (Inches)
900539A	5' Straight SS Tubes (Bendable)	3.50
900540A	5' Straight SS Tubes (Bendable)	4.00
900541A	5' Straight SS Tubes (Bendable)	5.00



Note: Purchaser is responsible for all application, endurance and verification testing prior to production release.



Insulation



- ▶ Add-on Insulation for Pre-aftertreatment Tubing
 - ✓ Foil Backed Insulating Tape
 - ✓ Zip Tie Clamps

- ▶ Thermolastic Insulation for Pre-aftertreatment Tubing
 - ✓ Insulating Tape
 - ✓ Thermolastic Tape
 - ✓ Silicone RTV adhesive
 - ✓ Fiberglass tape
 - ✓ Instruction Sheet

P/N	Description	Size (Inches)
Q394300	Wrap Insulation- Reflective 2" Width (1000°F)	Any
Q394011	Cuff Insulation- Reflective 2" Width (1000°F)	Any
Q394014	Fiberglass High Temp. Tape- 1" Width (392°F)	Any
Q394012	Thermolastic Outer Wrap Tape- Red (500°F)	Any
Q394287	Thermolastic Outer Wrap Tape- Black (392°F)	Any
Q394288	Thermolastic Outer Wrap Tape- Grey (392°F)	Any
Q394013	RTV Silicone Adhesive- for Red Tape (500°F)	Any
Q394285	RTV Silicone Adhesive- for Black/Grey Tape (392°F)	Any
Q41285	Saveguard Thermoplastic Insulation Instructions	Any

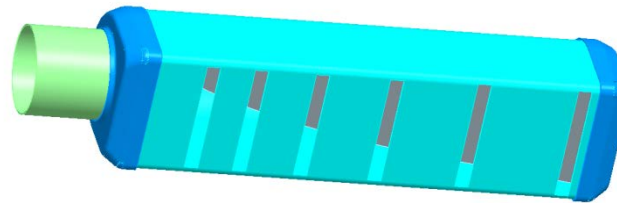
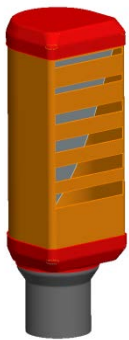
Note: Purchaser is responsible for all application, endurance and verification testing prior to production release.



Exhaust Diffusers

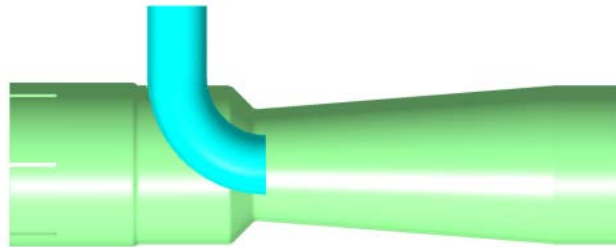
- ▶ Slotted Stack Exhaust Diffusers
 - ✓ 4.00" and 5.00" Inlet Sizes
 - ✓ Stainless Steel
 - ✓ Short Diffuser for Compact Configuration
 - ✓ Long Diffuser for Optimum Temperature Reduction
 - ✓ Vertical or Horizontal Installation

P/N	Description	Size (Inches)
A030F890	Slotted Stack Diffuser - Short	4.00
A030F892	Slotted Stack Diffuser - Short	5.00
A030F891	Slotted Stack Diffuser - Long	4.00
A030F893	Slotted Stack Diffuser - Long	5.00
Q629839	Diffuser U-Bolt Clamp	4.00 & 5.00

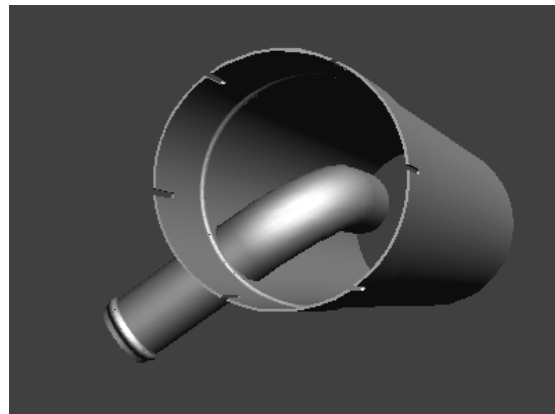


Note: Purchaser is responsible for all application, endurance and verification testing prior to production release.

Pre-Cleaner Aspirator Connections

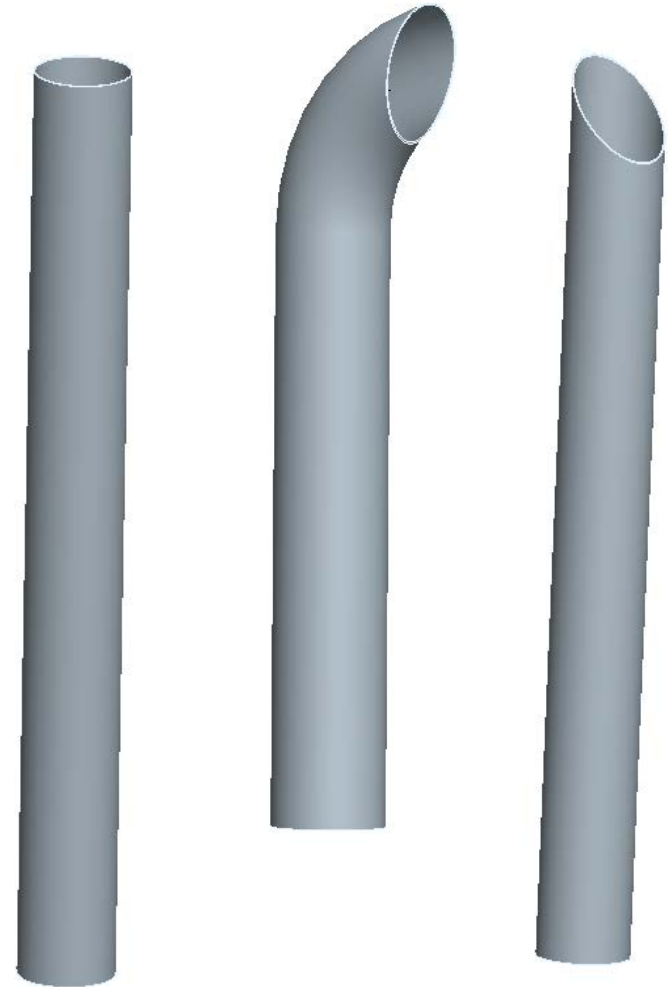


P/N	Description	Size (Inches)
Q674557	In-Line pre-cleaner Aspirator	4.0
Q674562	In-Line pre-cleaner Aspirator	5.0



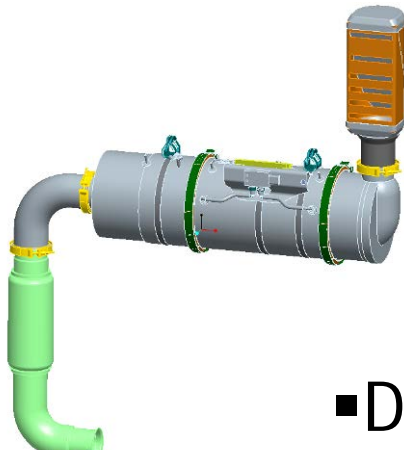
Conventional Stacks

- ▶ Exhaust Stacks/Tailpipes
 - ✓ 2.50" to 5.00" Sizes
 - ✓ Straight, Curved or Mitered Outlet
 - ✓ Vertical or Horizontal Installation
 - ✓ Use Existing Catalog Parts

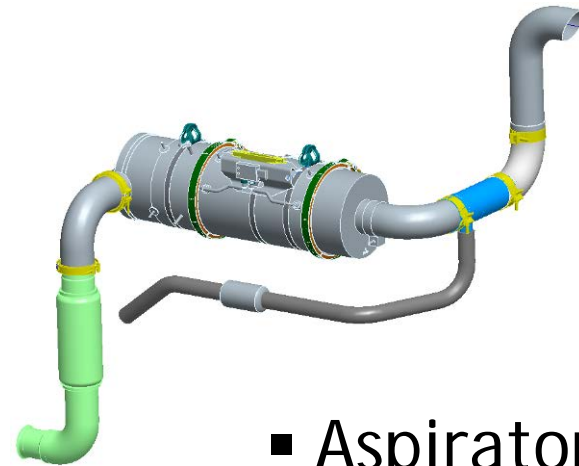


Note: Purchaser is responsible for all application, endurance and verification testing prior to production release.

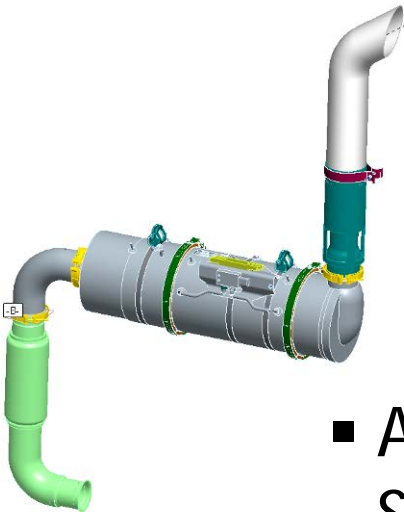
Post Aftertreatment Technology Options



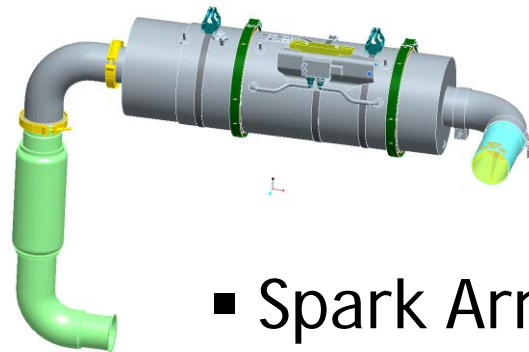
■ Diffuser



■ Aspirator



■ Aspirated Stack



■ Spark Arrestor

THANK YOU



Revision_06 1/02/12